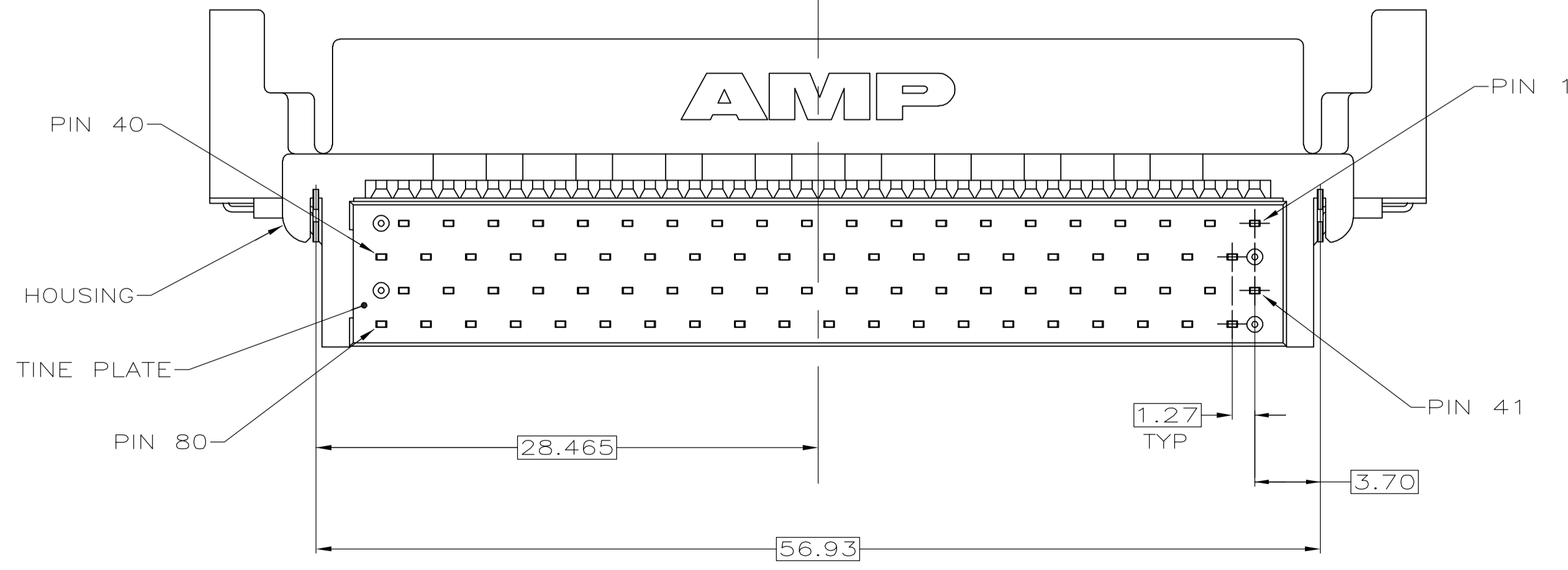
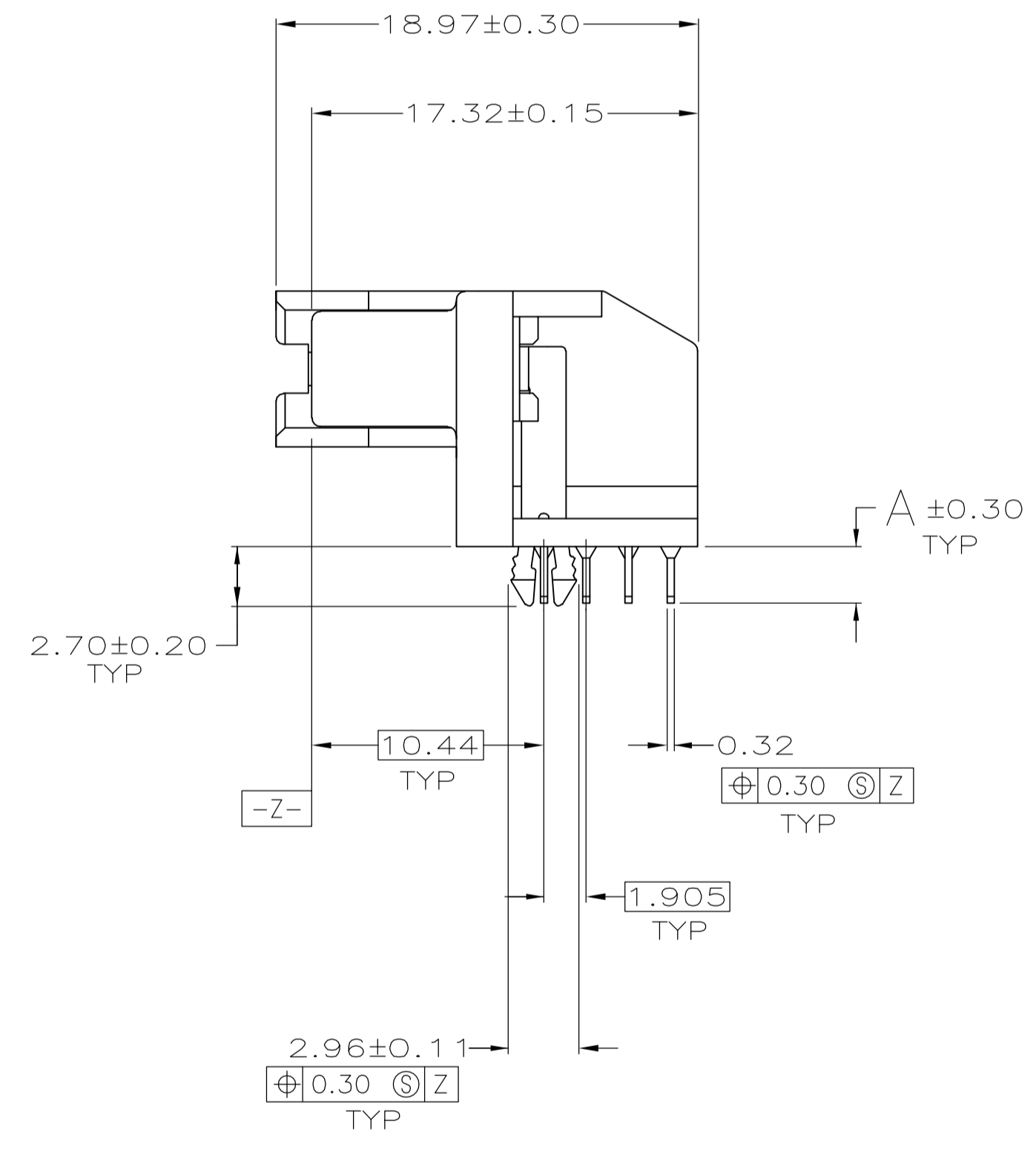
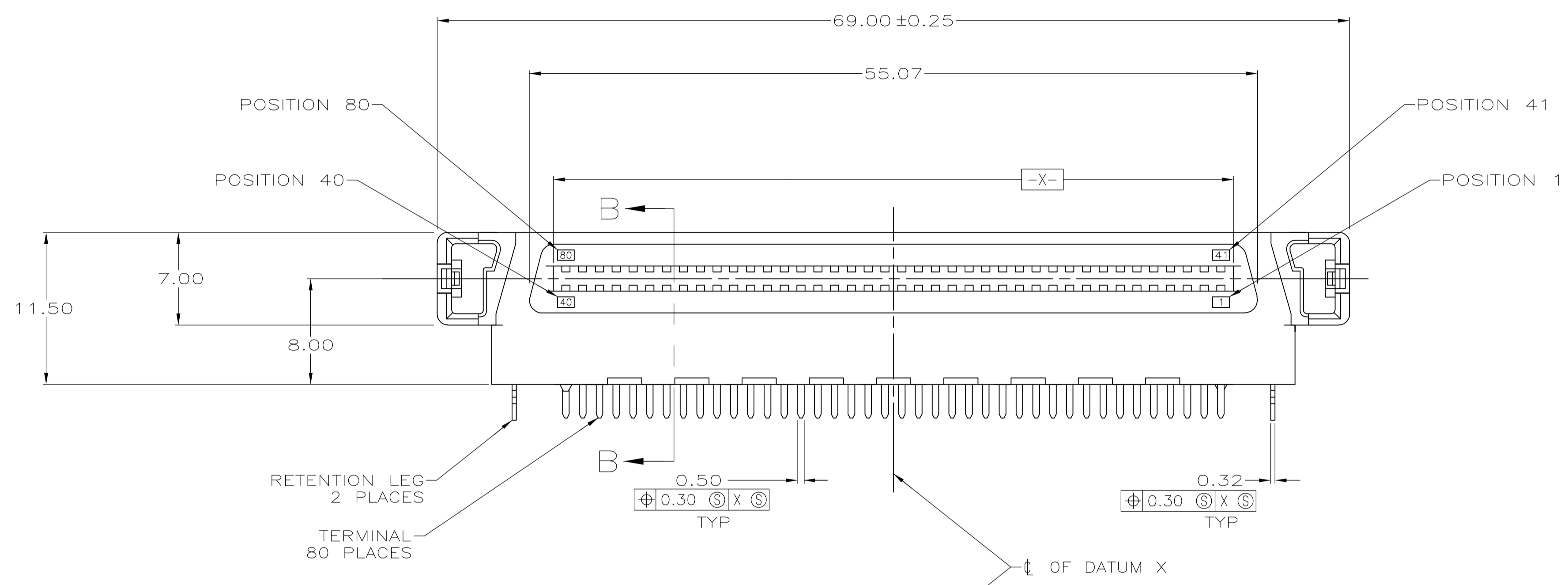
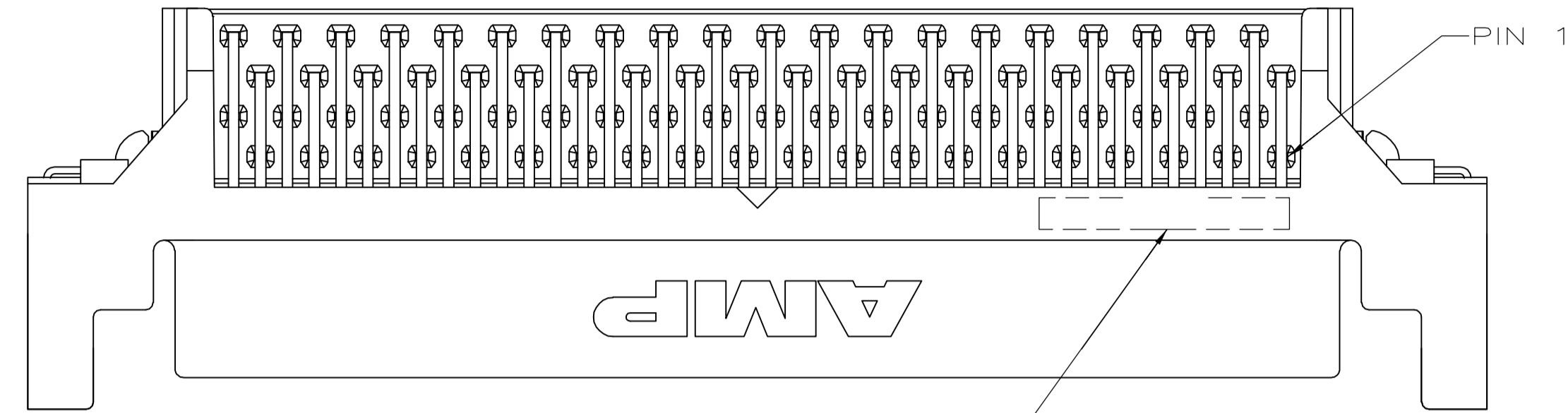


THIS DRAWING IS UNPUBLISHED. RELEASED FOR PUBLICATION. ALL RIGHTS RESERVED.  
 © COPYRIGHT BY TYCO ELECTRONICS CORPORATION.

LOC		DIST		REVISIONS			
P	LTR	DESCRIPTION	DATE	DWN	APPD	REV	REV
M	REV PER EC	OS13-0631-04	12MAY2005	EB	EB		

- △ HOUSING AND TINE PLATE: LCP, UL 94V-0 RATED, BLACK.  
TERMINALS: PHOSPHOR BRONZE.  
RETENTION LEGS: BRASS.
- △ TERMINALS: 0.76µm MIN GOLD FOR A LENGTH 1.20 MIN STARTING 0.50 MAX FROM MATING END, 3.81µm MIN TIN-LEAD FOR A LENGTH OF 3.40 MIN FROM OPPOSITE END, BOTH OVER 1.27µm MIN NICKEL.
- △ RETENTION LEGS: 3.81µm MIN TIN-LEAD OVER 1.27µm MIN NICKEL.
- △ CONNECTOR WILL ACCOMMODATE MATING PRINTED CIRCUIT BOARD OF 1.60±0.07.
- △ CONTACTS 1, 36 THRU 40, 41 THRU 43, 45, 46 AND 75 THRU 80 ARE POSITIONED TOWARD THE MATING FACE. (FIRST MATE)
- △ CONTACTS 2 THRU 35, 44, AND 47 THRU 74 ARE POSITIONED AWAY FROM THE MATING FACE. (SECOND MATE)
- △ TERMINALS: 0.76µm MIN GOLD FOR A LENGTH 1.20 MIN STARTING 0.50 MAX FROM MATING END, 3.81µm MIN TIN FOR A LENGTH OF 3.40 MIN FROM OPPOSITE END, BOTH OVER 1.27µm MIN NICKEL.  
RETENTION LEGS: 3.81µm MIN TIN OVER 1.27µm MIN NICKEL.



YES	△6	3.05	80	787535-4
YES	△6	2.54	80	787535-3
NO	△2	3.05	80	787535-2
NO	△2	2.54	80	787535-1
LEAD FREE	FINISH	A	NO OF POSN	PART NUMBER

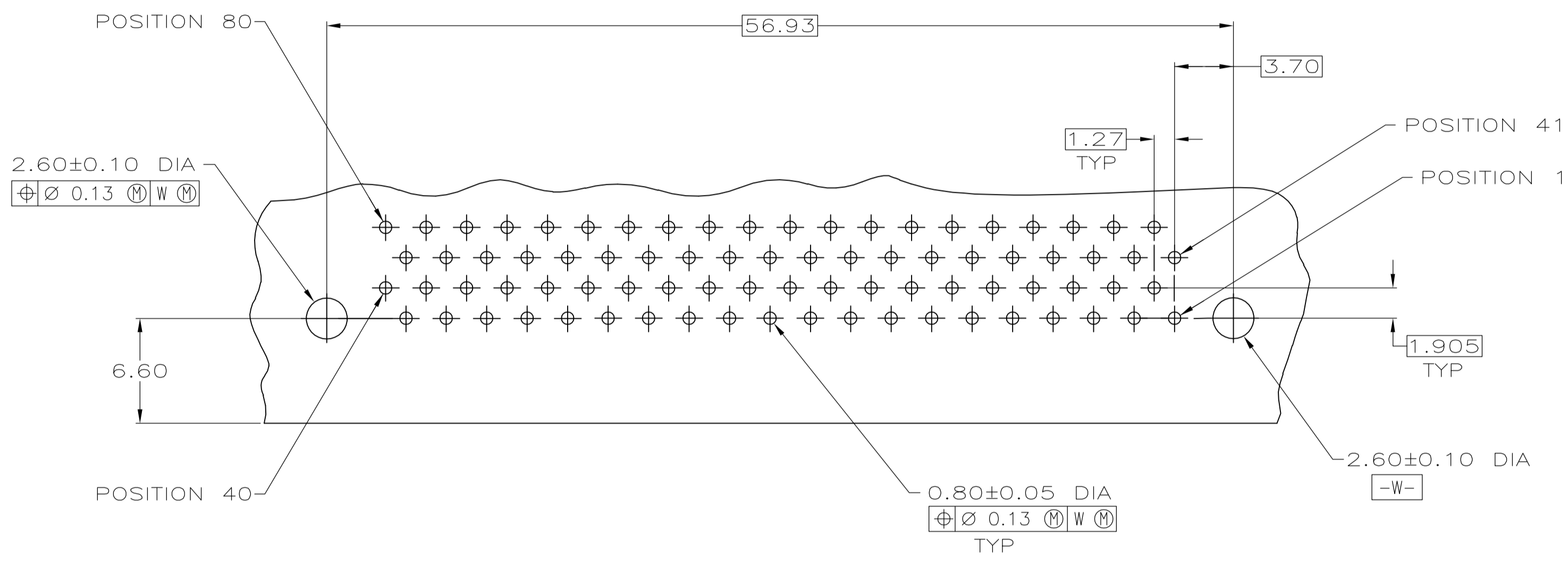
THIS DRAWING IS A CONTROLLED DOCUMENT.

DIMENSIONS:	TOLERANCES UNLESS OTHERWISE SPECIFIED:	DWN: B MCMMASTER 29MAR04	tyco Electronics	Tyco Electronics Corporation
mm	0 PLC ± -	CHK: S SHUEY 29MAR04		Harrisburg, Pa 17105-3608
	1 PLC ± -	APPD: M WALMSLEY 29MAR04	NAME:	RECEPTACLE ASSEMBLY, RIGHT ANGLE, BOARD-TO-BOARD, .050, SERIES I, CHAMP BLINDMATE
	2 PLC ± 0.10		PRODUCT SPEC:	108-1548-2
	3 PLC ± -		APPLICATION SPEC:	114-6061
	4 PLC ± -		SIZE:	A1
	ANGLES ± -		CAGE CODE:	00779
MATERIAL:	SEE TABLE		DRAWING NO:	787535
			WEIGHT:	
			CUSTOMER DRAWING:	

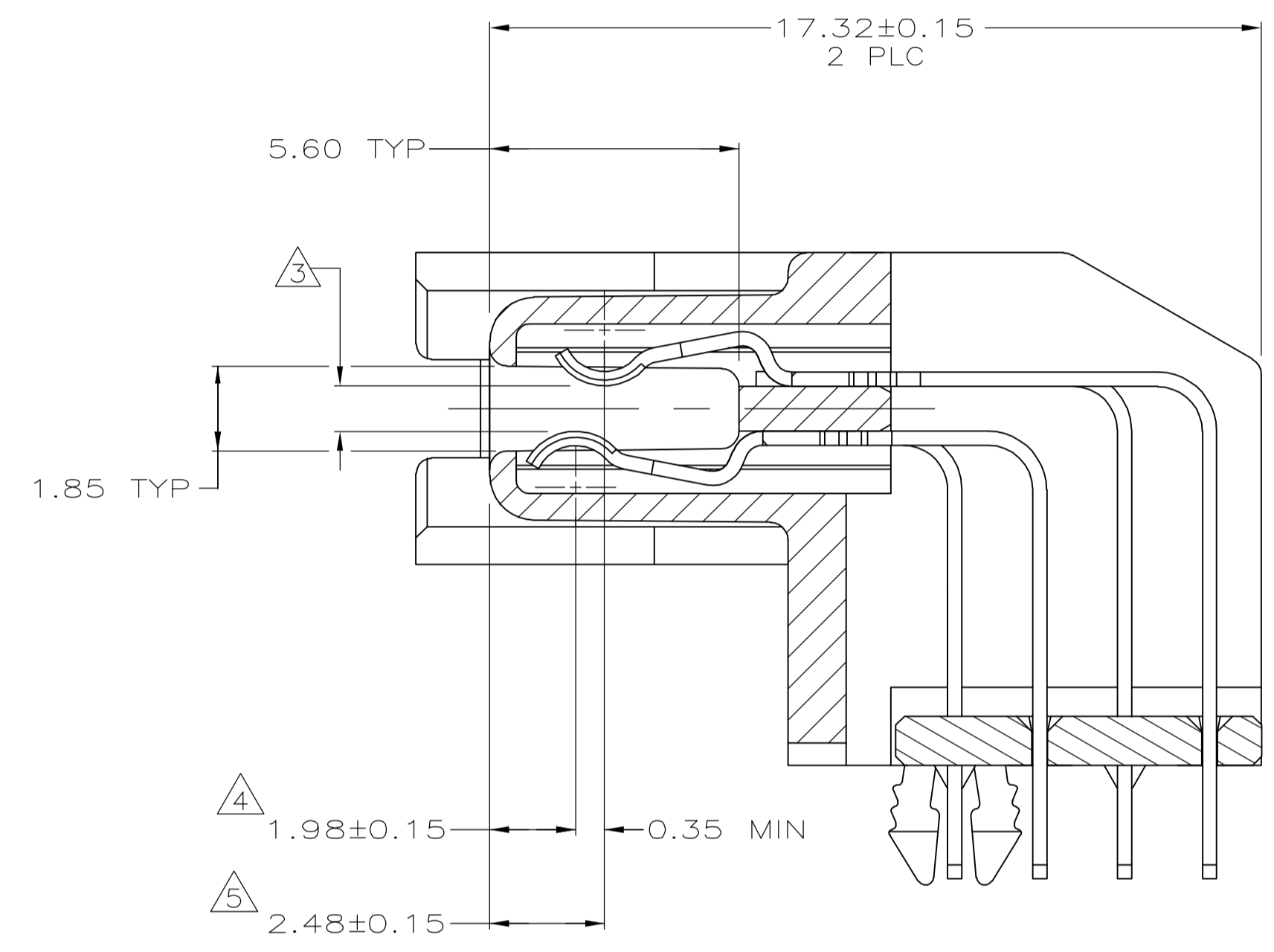
SCALE: 4:1 SHEET 1 OF 2 REV M

THIS DRAWING IS UNPUBLISHED. RELEASED FOR PUBLICATION. ALL RIGHTS RESERVED.

LOC		DIST		REVISIONS				
P	LTR	DATE	DN	APVD	DESCRIPTION	DATE	DN	APVD
GP	00				SEE SHEET 1			



RECOMMENDED PC BOARD MOUNTING DIMENSIONS COMPONENT SIDE



SECTION B-B  
SCALE 8:1

THIS DRAWING IS A CONTROLLED DOCUMENT.		DWN B MCMMASTER 29MAR04		Tyco Electronics Corporation Harrisburg, Pa 17105-3608	
DIMENSIONS: mm		CHK S SHUEY 29MAR04		NAME	
		APVD M WALMSLEY 29MAR04	RECEPTACLE ASSEMBLY, RIGHT ANGLE, BOARD-TO-BOARD, .050, SERIES I, CHAMP BLINDMATE		
TOLERANCES UNLESS OTHERWISE SPECIFIED: 0 PLC ± - 1 PLC ± - 2 PLC ± 0.10 3 PLC ± - 4 PLC ± - ANGLES ± -		PRODUCT SPEC 108-1548-2	SIZE A1	CAGE CODE 00779	DRAWING NO 787535
MATERIAL -		FINISH -	WEIGHT -	CUSTOMER DRAWING	
			SCALE 4:1	SHEET 2 OF 2	REV M

## X-ON Electronics

Largest Supplier of Electrical and Electronic Components

*Click to view similar products for [I/O Connectors](#) category:*

*Click to view products by [TE Connectivity](#) manufacturer:*

Other Similar products are found below :

[571763P](#) [58098-0628](#) [61-168618-12P](#) [D38999/20FJ24PA L/C](#) [D38999/20FJ29SB L/C](#) [D38999/24FG11SN L/C](#) [72.250.1628.2](#) [72.250.2428.2](#)  
[74720-0505](#) [76.350.0729.0](#) [76871-1403](#) [FCN-244F080-G/1](#) [FCN-260A9920](#) [FCN-268D024-G/2F#10X-R10](#) [PCS-E50FA](#) [PCS-XE26LKA](#)  
[PCS-XE26MA+](#) [PCS-XES68MS+](#) [G38A71314B](#) [91-569719-35R](#) [9776-18-6](#) [DX40-50P\(55\)](#) [1571250010](#) [157-22500-3](#) [MS3476W12-10S](#)  
[L/C](#) [1888020-8](#) [91-569786-35H](#) [91-569786-35M](#) [91-644626-35P](#) [172501-4002](#) [172501-6002](#) [FCN-260C008-A/L0](#) [FCN-260C024-AL0](#)  
[FCN-261Z008](#) [FCN-268D008-G/1K](#) [2000314-1](#) [200331-1](#) [2007498-2](#) [PCR-E28LMDAG1+](#) [PCR-E36FC+](#) [PCS-E28FS+](#) [PCS-XE26SLFD+](#)  
[PCS-XE26SLFDT+](#) [G38A71214B](#) [HDRA-E68W1LFDTC-SL+](#) [HDR-E14MSG1+](#) [R88A-CNK81S](#) [CRT1-ATT02](#) [54182-0605](#)  
[U90B2054081210](#)