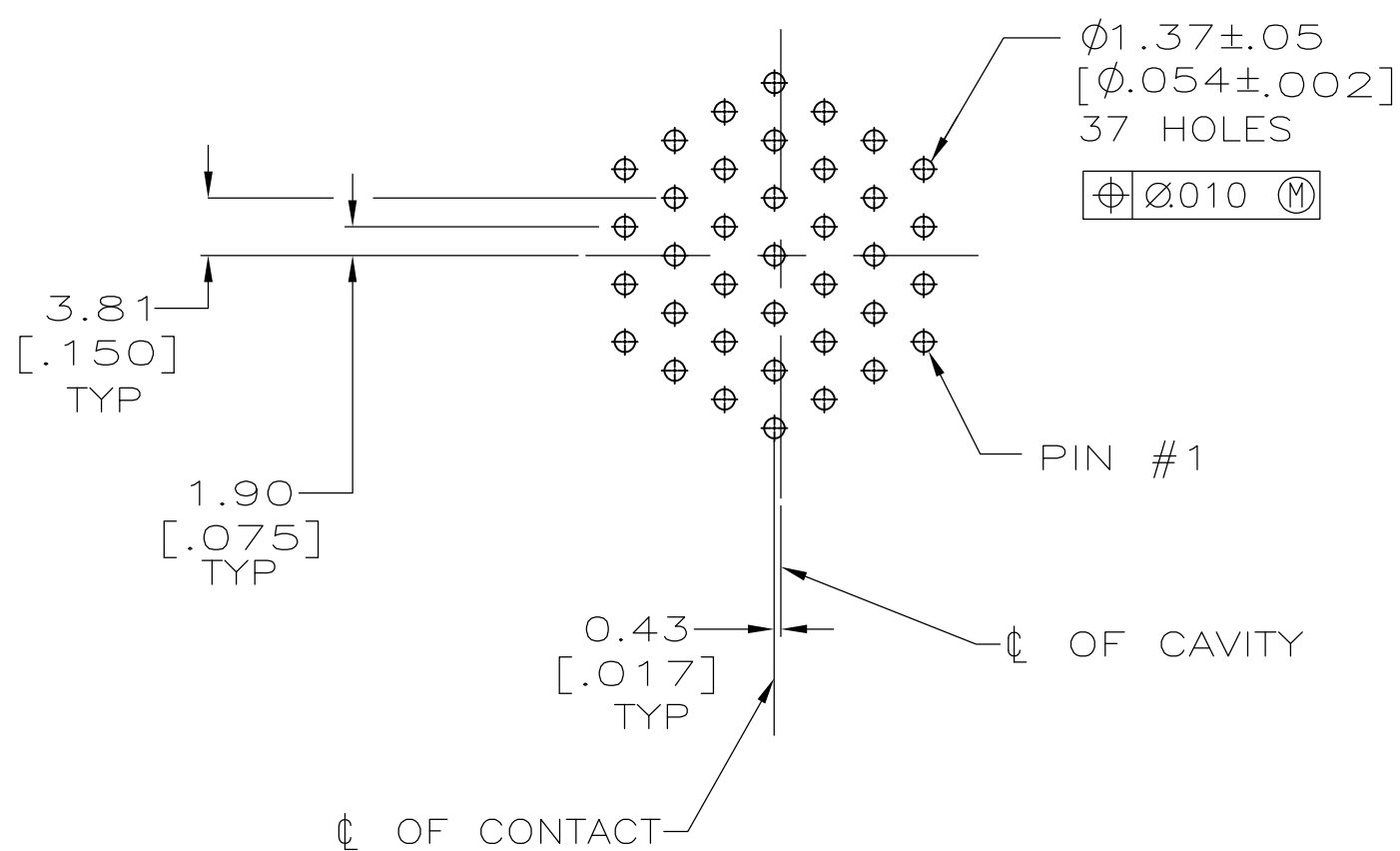
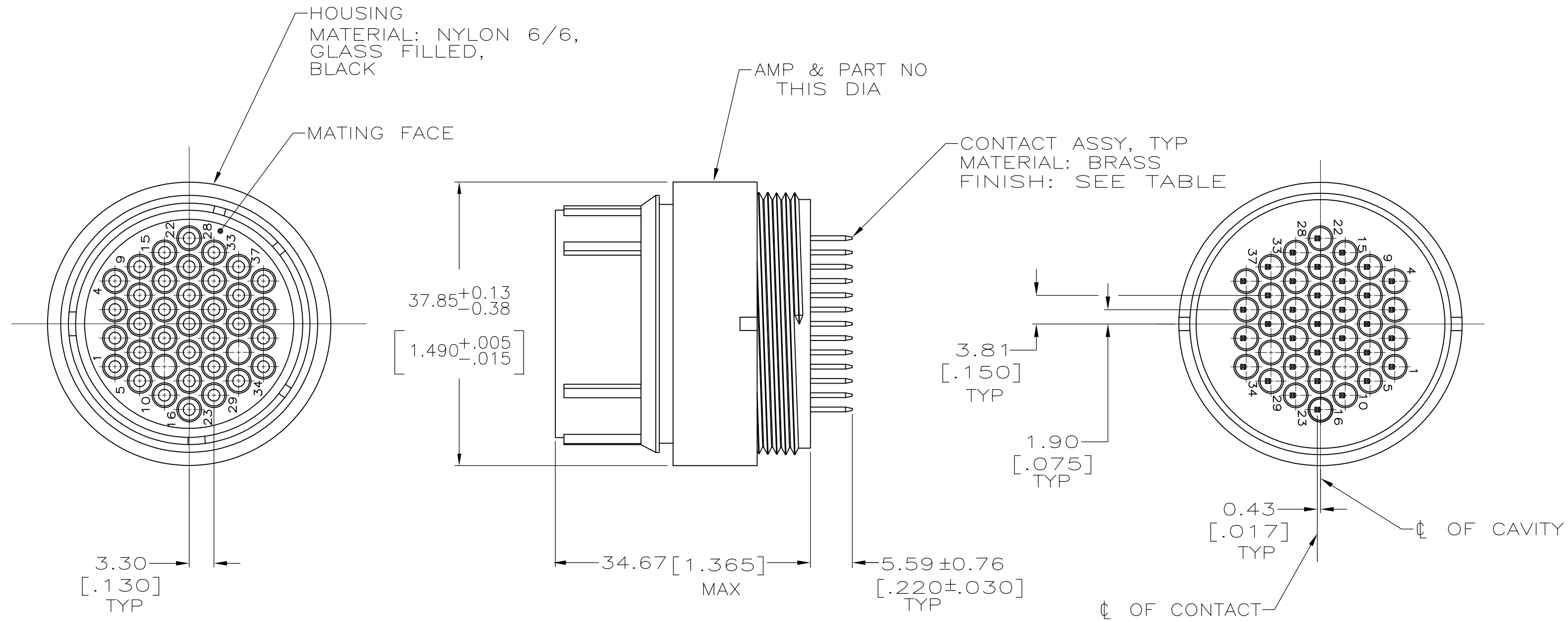


THIS DRAWING IS UNPUBLISHED. RELEASED FOR PUBLICATION
 © COPYRIGHT BY TYCO ELECTRONICS CORPORATION. ALL RIGHTS RESERVED.

LOC	DIST	REVISIONS					
FT	0	P	LTR	DESCRIPTION	DATE	DWN	APVD
		B		REVISED PER 0G3B-0100-05	5/3/05	SS	HW
		B1		REVISED PER ECO-09-022908	08OCT09	KK	AEG



RECOMMENDED P.C. BOARD LAYOUT

- CONTACT CAVITIES IDENTIFIED BY CHARACTERS ON FRONT AND REAR FACES OF CONNECTOR.
- SELECTIVELY LOADED POSITIONS 1 THRU 10, 12 THRU 29, 31 THRU 37.
- 2.54um [.000010] MIN TIN-LEAD OVER 1.27um [.000050] MIN NICKEL.
- 2.54um [.000010] MIN TIN OVER 1.27um [.000050] MIN NICKEL.
- OBsolete PARTS: OBsolete CIS STREAMLINING PER D.RENAUD/D.SINISI

5	OBsolete	4	1-788106-1
		3	788106-1
	CONTACT FINISH		PART NUMBER

THIS DRAWING IS A CONTROLLED DOCUMENT.		DWN 17 DEC 97 P. BENNINGHOVE	Tyco Electronics Corporation Harrisburg, Pa 17105-3608	
DIMENSIONS: mm [INCHES]		CHK 6 JAN 98 R. STONE	NAME	
TOLERANCES UNLESS OTHERWISE SPECIFIED:		APVD 6 JAN 98 K. DOWHOWER	PRODUCT SPEC	
0 PLC ± -		108-10024		
1 PLC ± -		APPLICATION SPEC		
2 PLC ± 0.13 [.005]		114-10038		
3 PLC ± -		WEIGHT -		
4 PLC ± -		SIZE A2 CAGE CODE 00779 C=788106		
ANGLES ± -		DRAWING NO		
FINISH		RESTRICTED TO		
SEE CALLOUTS		SCALE 2:1 SHEET 1 OF 1 REV B1		
CUSTOMER DRAWING				

X-ON Electronics

Largest Supplier of Electrical and Electronic Components

Click to view similar products for [Standard Circular Connector](#) category:

Click to view products by [TE Connectivity](#) manufacturer:

Other Similar products are found below :

[C015](#) [10F006](#) [001](#) [1](#) [5M2530B10P](#) [600259N006](#) [600273N007](#) [600432N009](#) [6280-2PG-519](#) [6280-3PG-311](#) [6280-3SG-311](#) [6280-7SG-3DC](#)
[6280-7SG-522](#) [6282-5PG-311](#) [6282-6PG-519](#) [6282-8SG-311](#) [6283-11](#) [6283-15](#) [6290](#) [6382-2PG-311](#) [6382-2PG-3DC](#) [6382-2SG-321](#) [6382-2SG-3DC](#) [6382-4SG-516](#) [67-03E20-37P](#) [681-PMG](#) [CXS3102A14S2P](#) [CXS3102A181S](#) [CXS3106A14S6S](#) [MB12P-1](#) [MB12R-6](#) [7251-2PG-300](#) [7251-2SG-300](#) [7251-4PG-300](#) [7251-4SG-300](#) [7251-5PG-300](#) [7251-5SG-300](#) [7251-6SG-300](#) [7251-7PG-300](#) [7251-8PG-300](#) [7271-6SG-300](#) [7282-3PG-300-CH3](#) [73000005663](#) [75-190216-08S](#) [75-190218-10P](#) [75-474118-10P](#) [75-474618-01S](#) [75-474620-07P](#) [799539-000](#) [MI8-SE](#) [80-190222-18P](#) [805-005-07NF11-19PC](#) [805-005-07NF15-7PA](#)