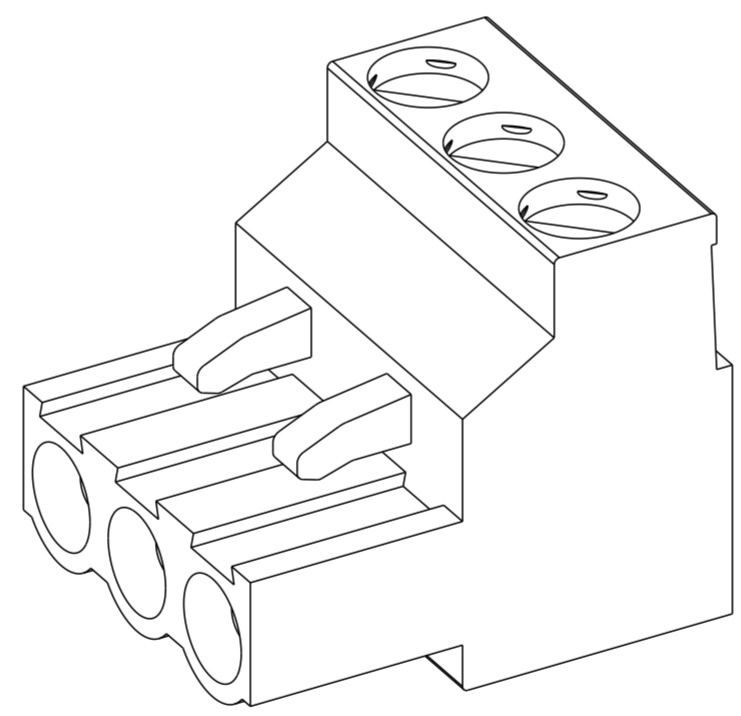
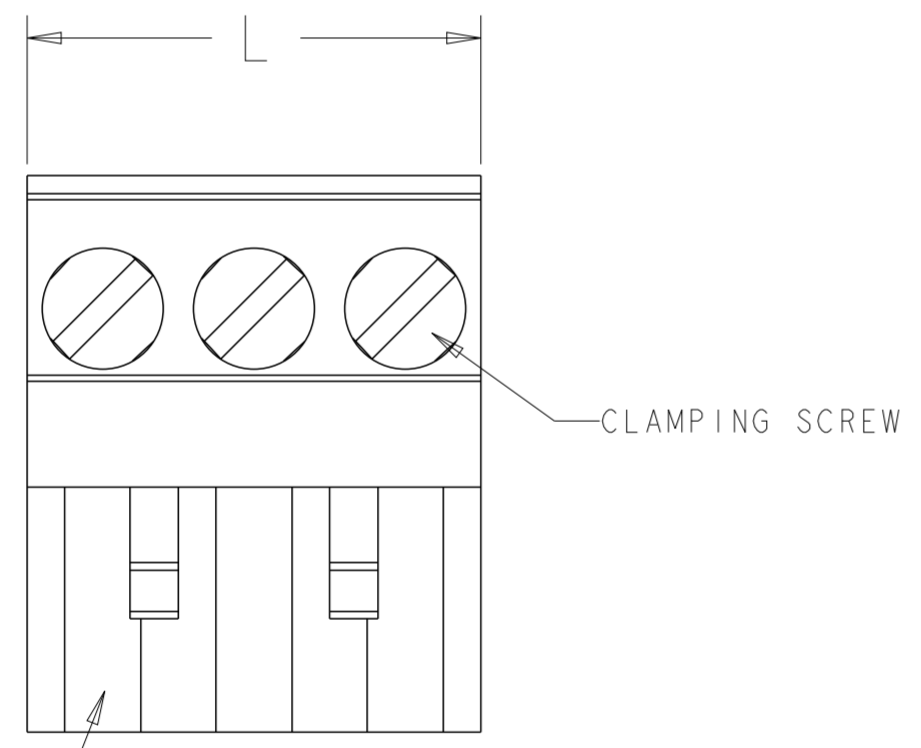
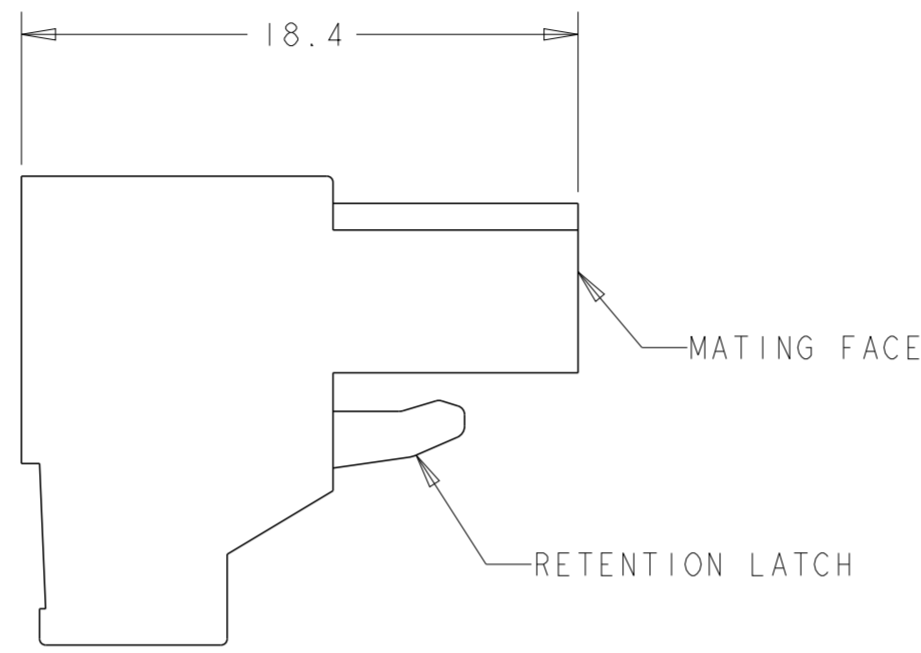
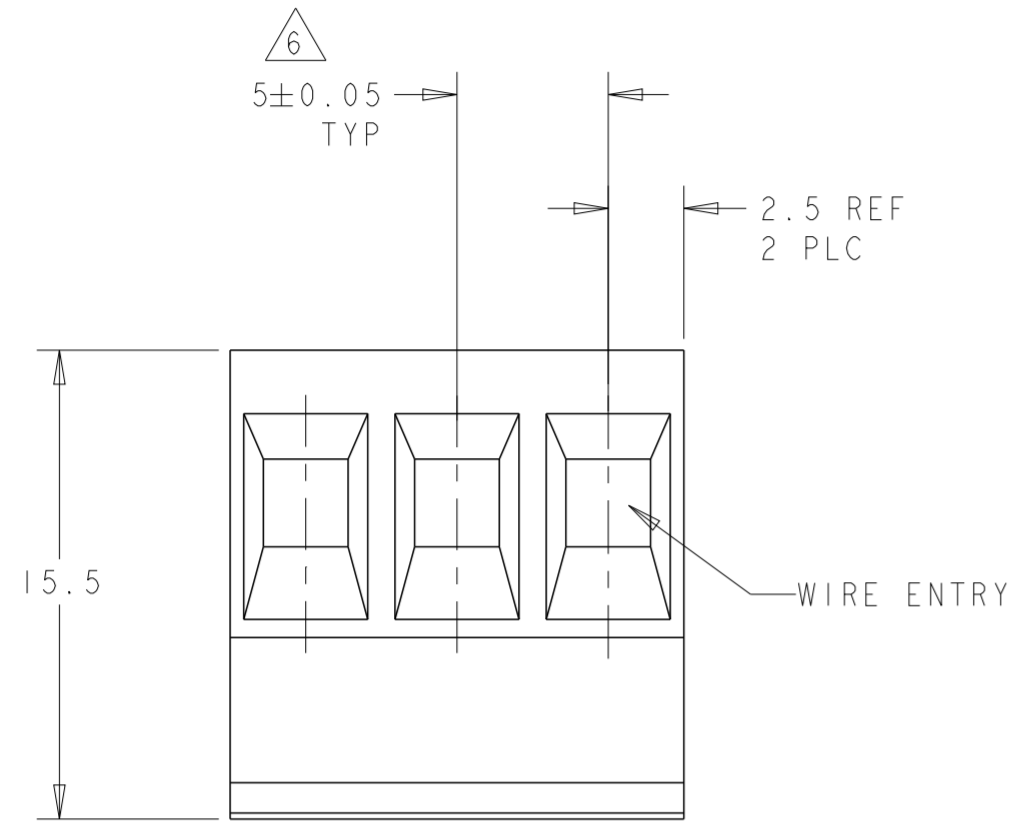


THIS DRAWING IS UNPUBLISHED. RELEASED FOR PUBLICATION 20  
 © COPYRIGHT 20 BY - ALL RIGHTS RESERVED.

LOC		DIST		REVISIONS			
P	LTR	DESCRIPTION		DATE	DWN	APVD	
	F12	PN 6-796640-6 INFO ADDED		01AUG2018	RK	PS	



MARKING	SPECIAL	L	NO OF POSN	PART NUMBER
TIN	MARK 4 TO 1	20.00	4	<del>5-796640-4</del>
TIN	MARK 3 TO 1	15.00	3	<del>5-796640-3</del>
TIN	MARK 1 TO 3	15.00	3	<del>5-796640-2</del>
TIN	MARK 1 TO 3	15.00	3	<del>5-796640-1</del>
TIN	MARK 1 TO 4	20.00	4	<del>5-796640-0</del>
TIN	MARK 15 TO 28	70.00	14	<del>4-796640-9</del>
TIN	MARK 13 TO 24	60.00	12	<del>4-796640-8</del>
TIN	MARK 1 TO 14	70.00	14	<del>4-796640-7</del>
OBSOLETE	MARK 1 TO 12	60.00	12	<del>4-796640-6</del>
TIN	MARK 1 TO 7	35.00	7	<del>4-796640-5</del>
OBSOLETE	MARK 1 TO 5	25.00	5	<del>4-796640-4</del>
OBSOLETE	MARK 11 TO 15	25.00	5	<del>4-796640-3</del>
TIN	DETAIL S	35.00	7	<del>4-796640-2</del>
TIN	MARK 1 TO 3	15.00	3	<del>4-796640-1</del>
TIN	DETAIL P	20.00	4	<del>4-796640-0</del>
TIN	MARK 1 TO 8	40.00	8	<del>3-796640-9</del>
TIN	MARK 37 TO 54	90.00	18	<del>3-796640-8</del>
TIN	MARK 19 TO 36	90.00	18	<del>3-796640-7</del>
TIN	MARK 1 TO 18	90.00	18	<del>3-796640-6</del>
TIN	MARK 1 TO 10	50.00	10	<del>3-796640-5</del>
OBSOLETE	MARK 1 TO 8	40.00	8	<del>3-796640-4</del>
TIN	DETAIL N	30.00	6	<del>3-796640-3</del>
TIN	MARK 1 TO 6	30.00	6	<del>2-796640-9</del>
TIN	-	125.00	25	<del>2-796640-5</del>
TIN	-	120.00	24	<del>2-796640-4</del>
TIN	-	115.00	23	<del>2-796640-3</del>
TIN	-	110.00	22	<del>2-796640-2</del>
TIN	-	105.00	21	<del>2-796640-1</del>
TIN	-	100.00	20	<del>2-796640-0</del>
OBSOLETE	-	95.00	19	<del>1-796640-9</del>
TIN	-	90.00	18	<del>1-796640-8</del>
OBSOLETE	-	85.00	17	<del>1-796640-7</del>
TIN	-	80.00	16	<del>1-796640-6</del>
OBSOLETE	-	75.00	15	<del>1-796640-5</del>
TIN	-	70.00	14	<del>1-796640-4</del>
TIN	-	65.00	13	<del>1-796640-3</del>
TIN	-	60.00	12	<del>1-796640-2</del>
TIN	-	55.00	11	<del>1-796640-1</del>
TIN	-	50.00	10	<del>1-796640-0</del>
TIN	-	45.00	9	<del>796640-9</del>
TIN	-	40.00	8	<del>796640-8</del>
TIN	-	35.00	7	<del>796640-7</del>
TIN	-	30.00	6	<del>796640-6</del>
TIN	-	25.00	5	<del>796640-5</del>
TIN	-	20.00	4	<del>796640-4</del>
TIN	-	15.00	3	<del>796640-3</del>
TIN	-	10.00	2	<del>796640-2</del>

POLARIZATION KEY SLOT

796640-3 AS SHOWN

THIS DRAWING IS A CONTROLLED DOCUMENT. DWN S. WELDON 18OCT2000  
 CHK D. BIEVENOUR 18OCT2000  
 APVD D. BIEVENOUR 18OCT2000

**STE** TE Connectivity

NAME: TERMINAL BLOCK, PLUG, STACKING  
 5.00mm PITCH

SIZE: A2 CAGE CODE: 00779 DRAWING NO: C-796640 RESTRICTED TO: -

MATERIAL: SEE NOTES TOLERANCES UNLESS OTHERWISE SPECIFIED: SEE NOTES

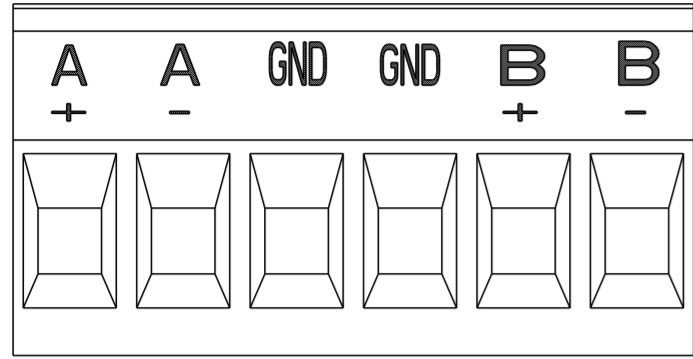
0 PLC ±0.3  
 1 PLC ±0.3  
 2 PLC ±0.25  
 3 PLC ±0.25  
 4 PLC ±0.25  
 ANGLES ±2  
 FINISH

APVD: D. BIEVENOUR  
 PRODUCT SPEC: -  
 APPLICATION SPEC: -  
 WEIGHT: -

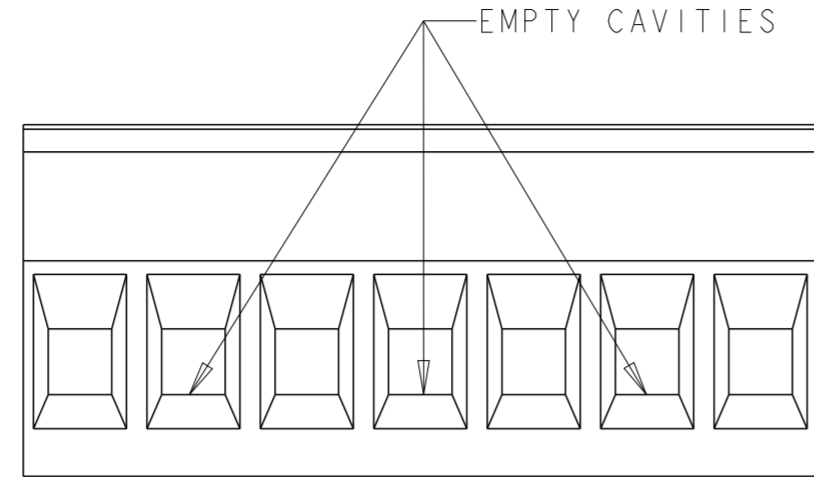
CUSTOMER DRAWING SCALE: 4:1 SHEET 1 OF 3 REV: F12

THIS DRAWING IS UNPUBLISHED. RELEASED FOR PUBLICATION 20  
 © COPYRIGHT 20 BY - ALL RIGHTS RESERVED.

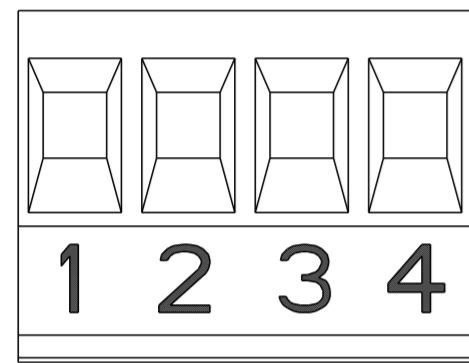
LOC		DIST		REVISIONS			
P	LTR	DESCRIPTION	DATE	DWN	APVD		
-	-	SEE SHEET 1	-	-	-		



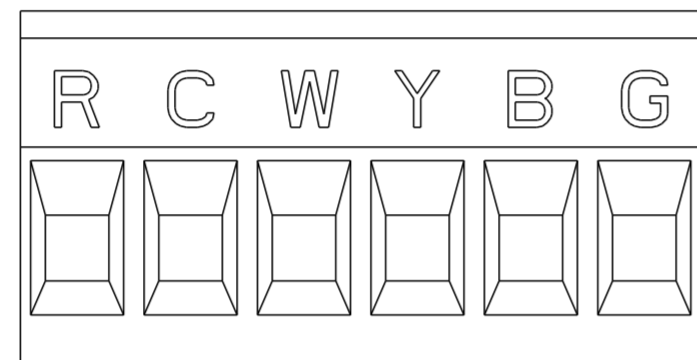
DETAIL N



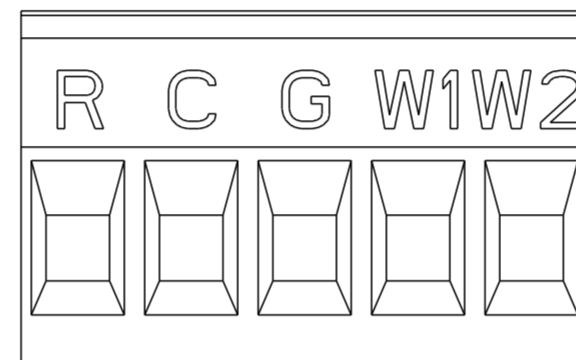
DETAIL S



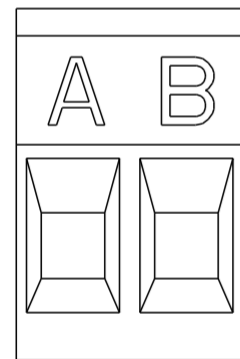
DETAIL P



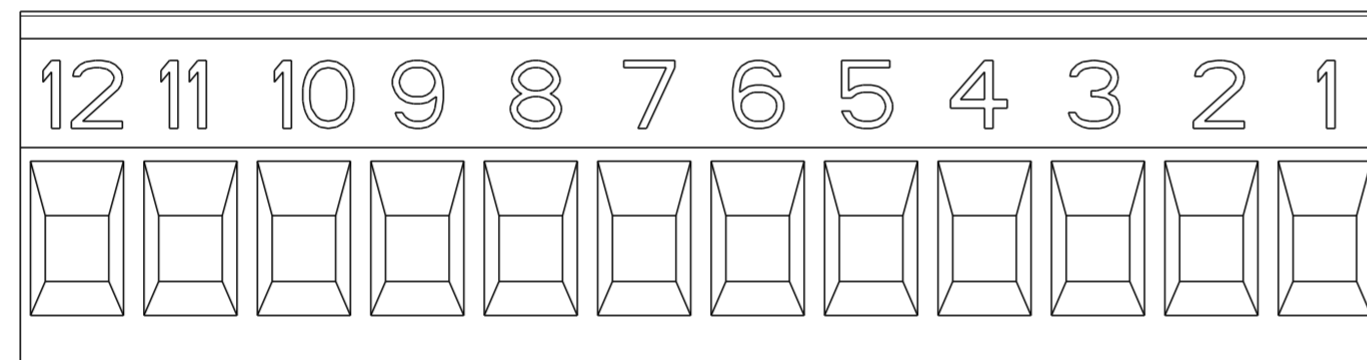
DETAIL T



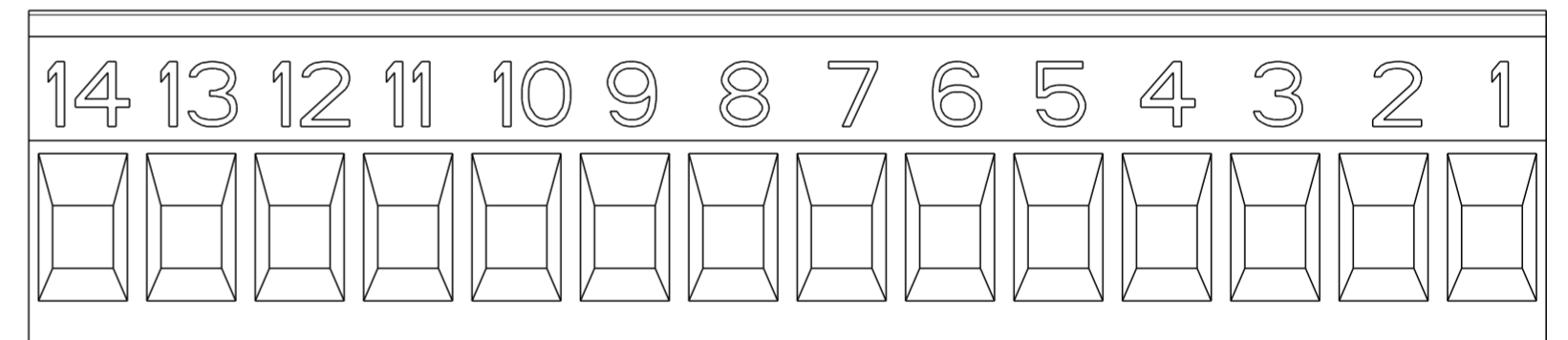
DETAIL Z



DETAIL U

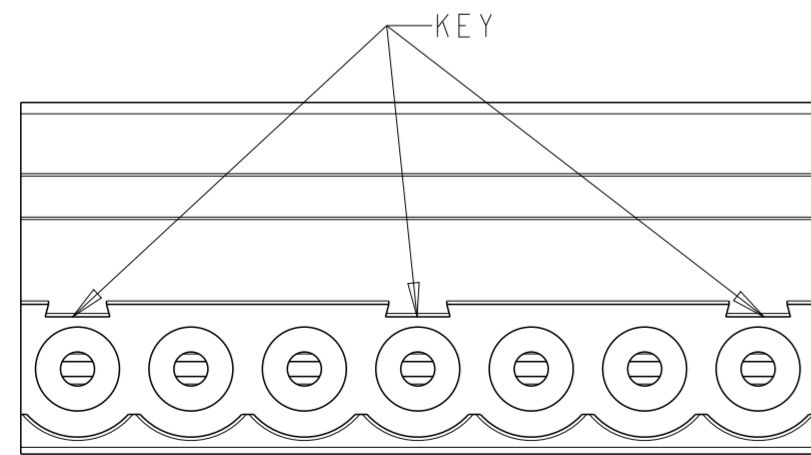


DETAIL V

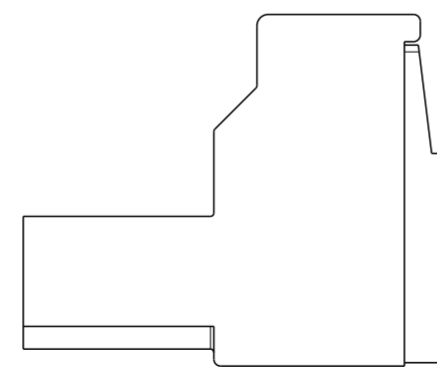


DETAIL X

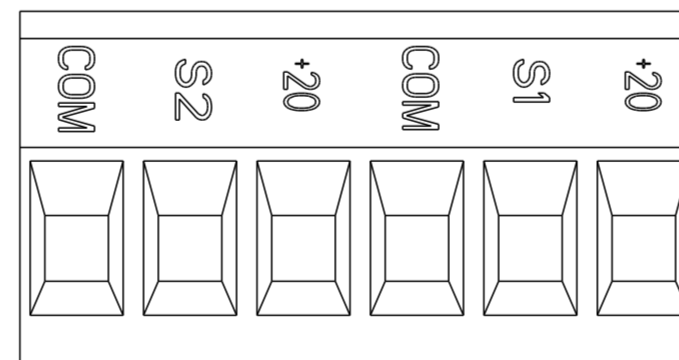
MARKING	TERMINAL FINISH	MARKING	SPECIAL	L	NO OF POSN	PART NUMBER
△13	TIN	△7	DETAIL Z	25.00	5	6-796640-6
△13	TIN	△7	DETAIL Y	30.00	6	6-796640-5
	TIN	△7 △14	DETAIL X	70.00	14	6-796640-4
△13	TIN	-	DETAIL W, NO LATCH KEY POSN 1,4,7	35.00	7	6-796640-1
△13	TIN	△7 △14	DETAIL V	60.00	12	6-796640-0
△13	GOLD FLASH	-	-	35.00	7	5-796640-9
	TIN	△7	DETAIL U	10.00	2	5-796640-8
	TIN	△7	DETAIL T	30.00	6	5-796640-7
OBSOLETE	TIN	△7 △9	MARK 13 TO 24	60.00	12	<del>5-796640-6</del>
	TIN	△7 △9	MARK 25 TO 38	70.00	14	<del>5-796640-5</del>



DETAIL W



DETAIL Y



THIS DRAWING IS A CONTROLLED DOCUMENT.

DIMENSIONS: mm	TOLERANCES UNLESS OTHERWISE SPECIFIED:	DWN S. WELDON 18OCT2000	TE Connectivity <b>TERMINAL BLOCK, PLUG, STACKING</b> 5.00mm PITCH
0 PLC ±	1 PLC ±0.3	CHK D. BIEVENOUR 18OCT2000	
2 PLC ±0.25	3 PLC ±	APVD D. BIEVENOUR 18OCT2000	
4 PLC ±	ANGLES ±2	PRODUCT SPEC -	
MATERIAL	FINISH	APPLICATION SPEC -	SIZE A200779
SEE NOTES	SEE NOTES	WEIGHT -	CAGE CODE C-796640
		CUSTOMER DRAWING	DRAWING NO G-796640
		SCALE 4:1	RESTRICTED TO
		SHEET 2 OF 3	REV F12

THIS DRAWING IS UNPUBLISHED. RELEASED FOR PUBLICATION 20  
 © COPYRIGHT 20 BY - ALL RIGHTS RESERVED.

LOC		DIST		REVISIONS			
P	LTR	DESCRIPTION	DATE	DWN	APVD		
-	-	SEE SHEET 1	-	-	-		

NOTES:

- 1. MATERIALS AND FINISH:  
 HOUSING: PA 6-6, UL 94-V0, COLOR: GREEN.  
 CLAMP: BRASS, NICKEL PLATED.  
 DOUBLE SIDE CONTACT SPRING: PHOSPHOR BRONZE, PLATING: SEE TABLE.  
 CLAMPING SCREW: M3, BRASS, NICKEL PLATED.
- 2. END-TO-END STACKABLE WITHOUT LOSS OF CENTERLINE SPACING.
- 3. MECHANICAL  
 MAX. INSERTION FORCE PER POLE : 3.0 N  
 MIN. WITHDRAWAL FORCE PER POLE : 1.5 N  
 WIRE STRIPPING LENGTH : 6.0-7.5 mm  
 RECOMMENDED TIGHTENING TORQUE FOR SCREW : 0.5 Nm.
- 4. ELECTRICAL  
 WIRE RANGE : 12-30 AWG  
 MAX. VOLTAGE : 300 V  
 MAX CURRENT : 15 A  
 CONTACT RESISTANCE : <15 m Ohm  
 INSULATION RESISTANCE : >1000 M Ohm (500V DC)
- 5. RECOGNIZED UNDER THE COMPONENT PROGRAM OF UNDERWRITERS LABORATORIES INC. FILE NO E60677.
- 6. NOT CUMULATIVE TOLERANCE
- 7. INK MARKING: BLACK COLOR.
- 8. INK MARKING: WHITE COLOR.
- 9. NUMERICAL SEQUENCE: FROM LEFT TO RIGHT, WIRE ENTRY SIDE.
- 10. RETENTION LATCHES REMOVED
- 11. BUCHANAN LOGO TO APPEAR ON HOUSING, LOCATION OPTIONAL WHERE SPACE PERMITS.
- 12. WIRE ENTRY CLOSED.
- 13. PRELIMINARY - NOT FOR PRODUCTION.
- 14. NUMERICAL SEQUENCE: FROM RIGHT TO LEFT, WIRE ENTRY SIDE.
- 15. OPERATING TEMPERATURE RANGE: -40°C TO +110°C

THIS DRAWING IS A CONTROLLED DOCUMENT.		DWN S. WELDON 18OCT2000	<b>STE</b> TE Connectivity	
DIMENSIONS: mm		CHK D. BIEVENOUR 18OCT2000		
TOLERANCES UNLESS OTHERWISE SPECIFIED:		APVD D. BIEVENOUR 18OCT2000	NAME TERMINAL BLOCK, PLUG, STACKING 5.00mm PITCH	
0 PLC ±-		PRODUCT SPEC -	SIZE A200779 C-796640	
1 PLC ±0.3		APPLICATION SPEC -	CAGE CODE	
2 PLC ±0.25		WEIGHT -	DRAWING NO	
3 PLC ±-		MATERIAL SEE NOTES	RESTRICTED TO	
4 PLC ±-			SCALE 4:1 SHEET 3 OF 3 REV F12	
ANGLES ±2		CUSTOMER DRAWING		
FINISH				

## X-ON Electronics

Largest Supplier of Electrical and Electronic Components

*Click to view similar products for [Pluggable Terminal Blocks](#) category:*

*Click to view products by [TE Connectivity](#) manufacturer:*

Other Similar products are found below :

[57.404.7553](#) [57.504.0053.7](#) [57.510.0053](#) [57.910.6153](#) [01.112.1453](#) [CTB932VE/6](#) [MC 1.5/ 6-ST-3.5 GY AU](#) [ET02015000J0G](#) [734-104](#) [734-302](#) [734-304](#) [8-141-P](#) [FKCT 2.5/ 3-ST KMGY](#) [860505](#) [860508](#) [860516](#) [860810](#) [861908](#) [GBPACX-12](#) [93.731.4953.0](#) [PV05-5,08-K](#) [PVP02-5,00](#) [PVP04-3,50](#) [PVS02-5,00](#) [1-1986160-3](#) [H-10](#) [1546228-5](#) [ELFP03110](#) [ELVP03100](#) [ELXH03100](#) [ELXP041G0](#) [ELXT046G0](#) [1700101](#) [1700410](#) [1700425](#) [1703176](#) [1703243](#) [1705229](#) [1710175](#) [1714537](#) [1717806](#) [1719600](#) [1728941](#) [1729386](#) [1734692](#) [1734795](#) [1736036](#) [1740194](#) [1740291](#) [1740628](#)