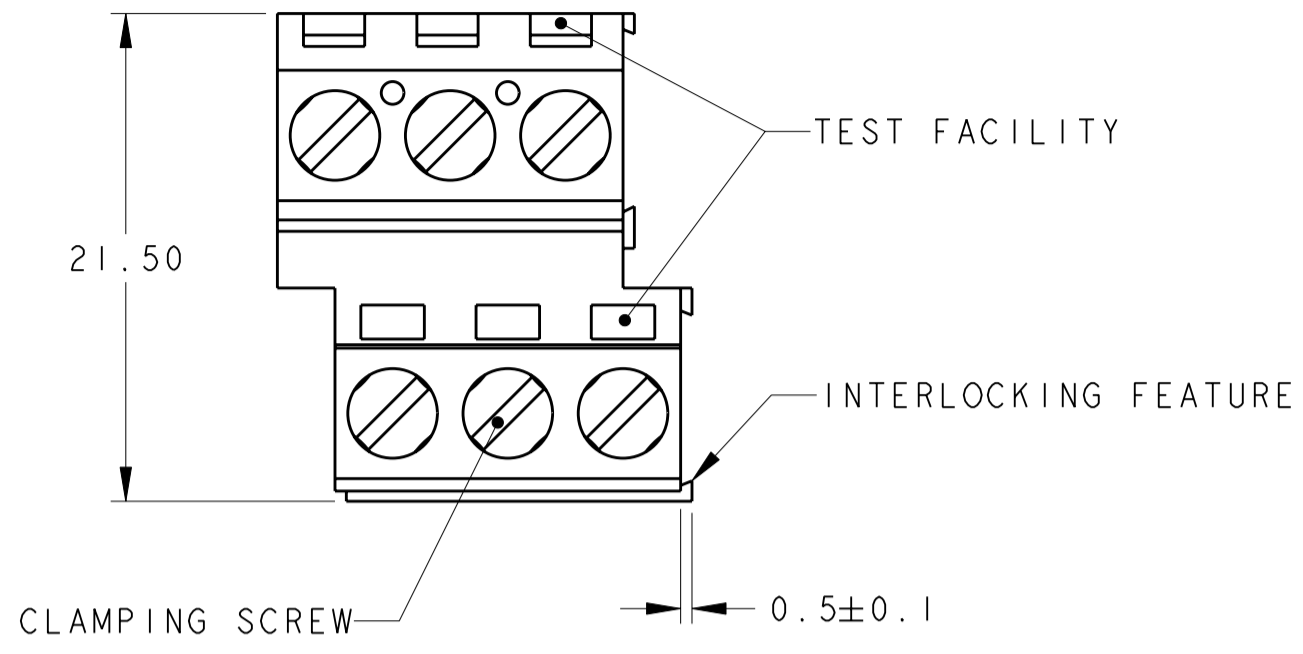
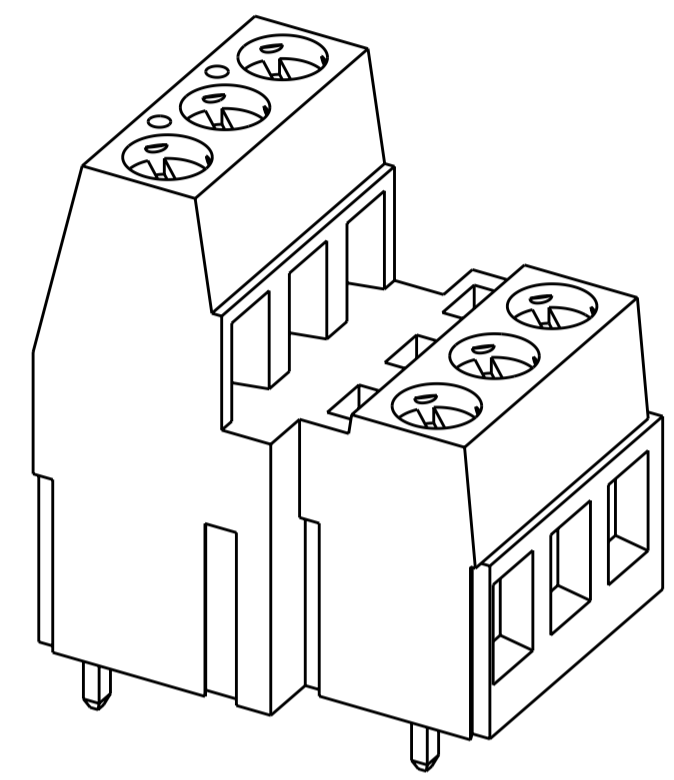


THIS DRAWING IS UNPUBLISHED. RELEASED FOR PUBLICATION 20  
 © COPYRIGHT 20 BY ALL RIGHTS RESERVED.

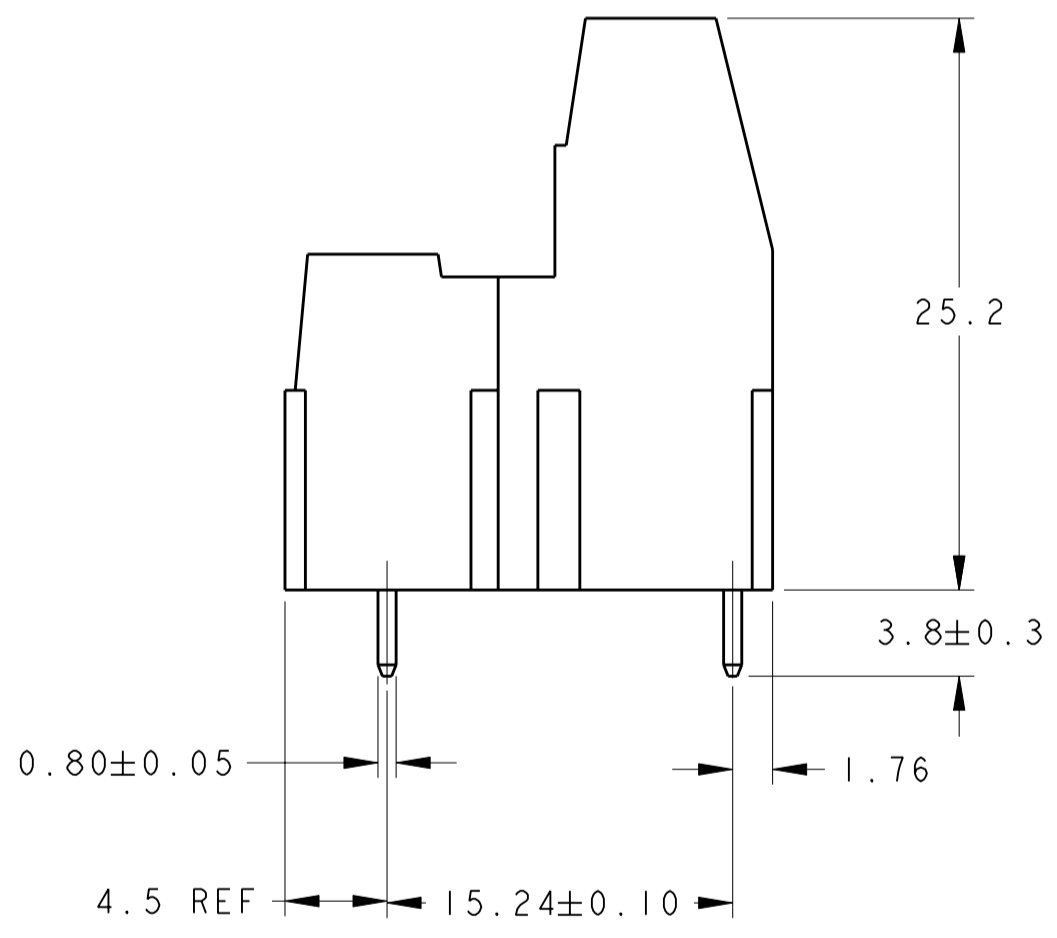
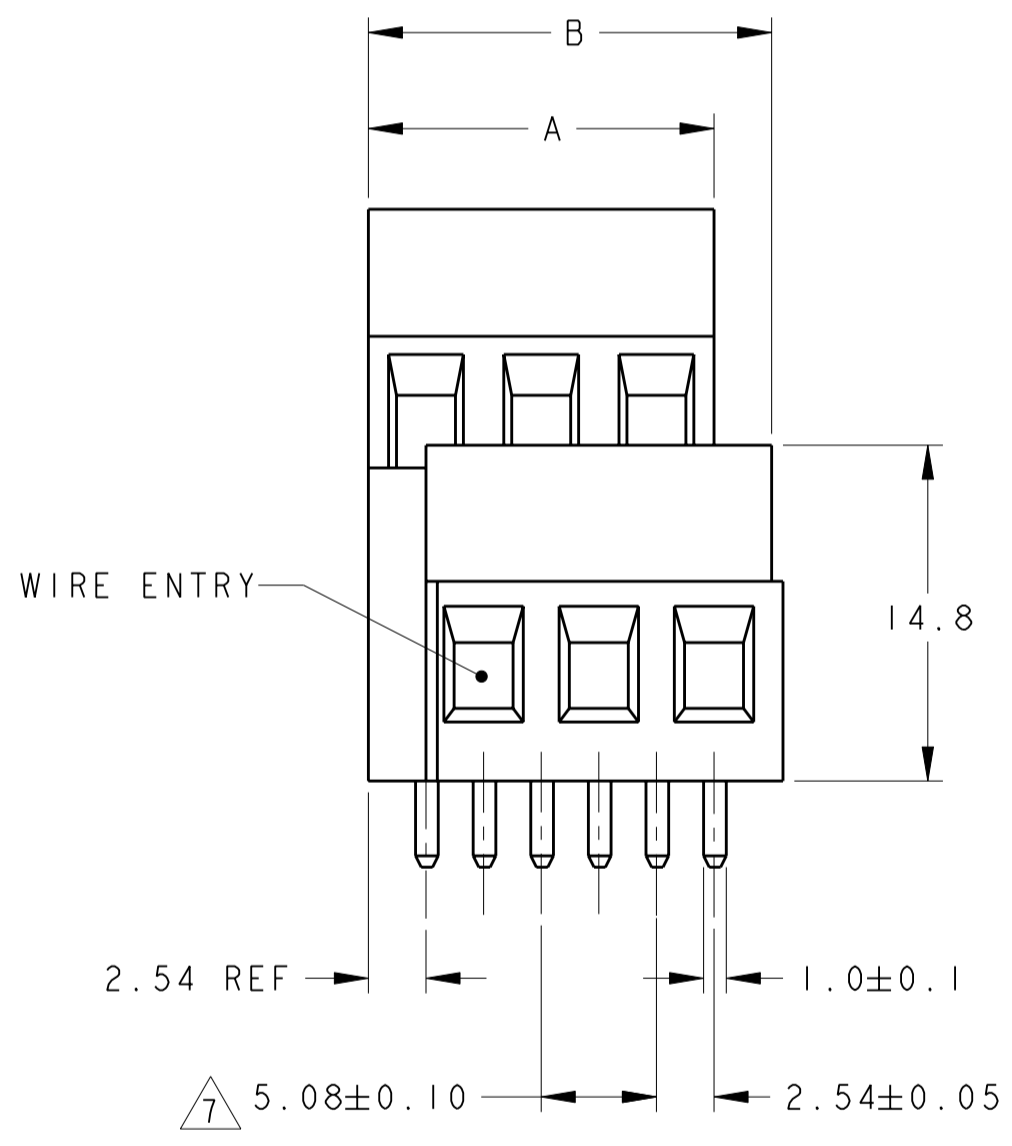
LOC		DIST		REVISIONS			
P	LTR	DESCRIPTION	DATE	DWN	APVD		
FT	0	E2	REVISIED PER ECO-11-005027	16MAR2011	RK	HMR	



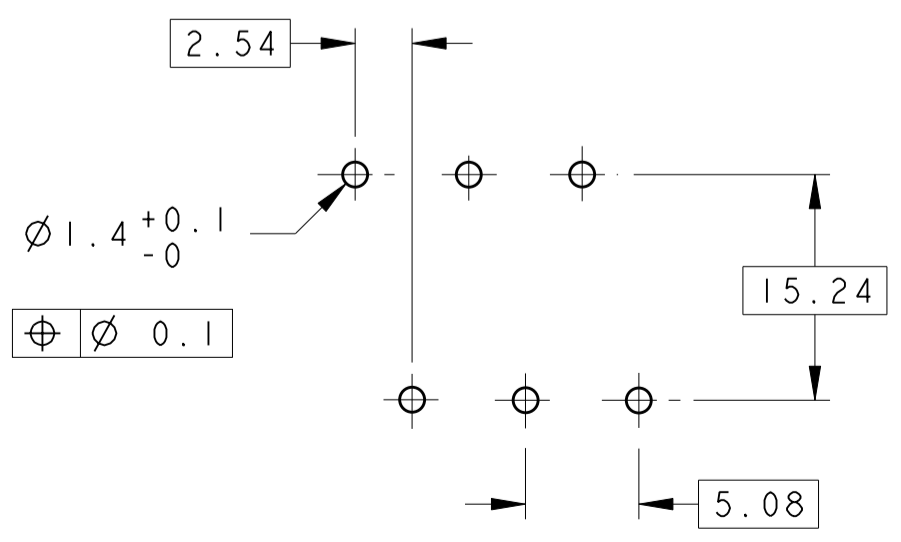
- 1. MATERIALS AND FINISH  
 HOUSING: PA 6-6, UL 94-V0, COLOR GREEN.  
 CLAMP: BRASS, NICKEL PLATED.  
 TERMINAL: BRASS, TIN PLATED.  
 CLAMPING SCREW: M3, BRASS, NICKEL PLATED.
- 2. SUITABLE FOR 1,6-2,4mm PC BOARD THICKNESS.
- 3. END-TO-END STACKABLE W/INTERLOCK WITHOUT LOSS OF CENTERLINE SPACING.
- 4. WIRE SIZE RANGE: 12-30 AWG.
- 5. RECOGNIZED UNDER THE COMPONENT PROGRAM OF UNDERWRITERS LABORATORIES INC., FILE N° E60677.
- 6. IMQ CERTIFICATE WITH SURVEILLANCE IN CONFORMITY WITH IEC 998-1/998-2-1.
- 7. NOT CUMULATIVE TOLERANCE.
- 8. SCREWS BOTTOMED IN TERMINAL BLOCK TO CLOSE CAGE CLAMP.
- 9. BUCHANAN LOGO TO APPEAR ON HOUSING, LOCATION OPTIONAL WHERE SPACE PERMITS.



796692-3 AS SHOWN



83.82	81.28	16	1-796692-6
17.78	15.24	3	1-796692-3
63.50	60.96	12	1-796692-2
58.42	55.88	11	1-796692-1
53.34	50.80	10	1-796692-0
48.26	45.72	9	796692-9
43.18	40.64	8	796692-8
38.10	35.56	7	796692-7
33.02	30.48	6	796692-6
27.94	25.40	5	796692-5
22.86	20.32	4	796692-4
17.78	15.24	3	796692-3
12.70	10.16	2	796692-2
B	A	NO OF POSN	PART NUMBER



RECOMMENDED PC BOARD LAYOUT

THIS DRAWING IS A CONTROLLED DOCUMENT.

DIMENSIONS:	TOLERANCES UNLESS OTHERWISE SPECIFIED:	DWN	21FEB2002
mm	0 PLC ±-	CHK	S.WELDON
	1 PLC ±0.3	APVD	D.BIEVENOUR
	2 PLC ±0.25	PRODUCT SPEC	108-20166
	3 PLC ±-	APPLICATION SPEC	114-20079
	4 PLC ±-	WEIGHT	-
	ANGLES ±2	CUSTOMER DRAWING	
	FINISH	SCALE	3:1

STE TE Connectivity

NAME: TERMINAL BLOCK, PCB MOUNT  
 1ST AND 2ND LEVEL  
 STACKING W/INTERLOCK, 5.08mm PITCH

SIZE: A2 CAGE CODE: 00779 DRAWING NO: C-796692 RESTRICTED TO: -

SHEET 1 OF 1 REV E2

## **X-ON Electronics**

Largest Supplier of Electrical and Electronic Components

*Click to view similar products for [Fixed Terminal Blocks](#) category:*

*Click to view products by [TE Connectivity](#) manufacturer:*

Other Similar products are found below :

[00175550202](#) [MBE-1512](#) [MBE-1520](#) [MBE-154](#) [MBE-156](#) [MBES-1510](#) [MBES-153](#) [MBES-156](#) [MH-2512](#) [MHE-132](#) [MHE-133](#) [MHE-163](#)  
[MI-254 \(35\)](#) [MI-272](#) [8739](#) [880507](#) [880508](#) [MPT-275](#) [1546551-6](#) [ELM023100](#) [ELM10110G](#) [ELVD12100](#) [BA311TU](#) [BA411SU](#) [MV-152](#)  
[MV-253/NCNOC](#) [MV-254-D](#) [MV-255](#) [MV-462](#) [MV-472](#) [MV-493](#) [MVE-252](#) [MVE-253](#) [MVE-258](#) [MVE-273](#) [MVEB-153](#) [1700096](#)  
[1702246](#) [1705142](#) [1712417](#) [1713020](#) [1713088](#) [1776118-2](#) [1790852](#) [1-796689-8](#) [1-796692-6](#) [1800001](#) [1800114](#) [1823215](#) [1838462](#)