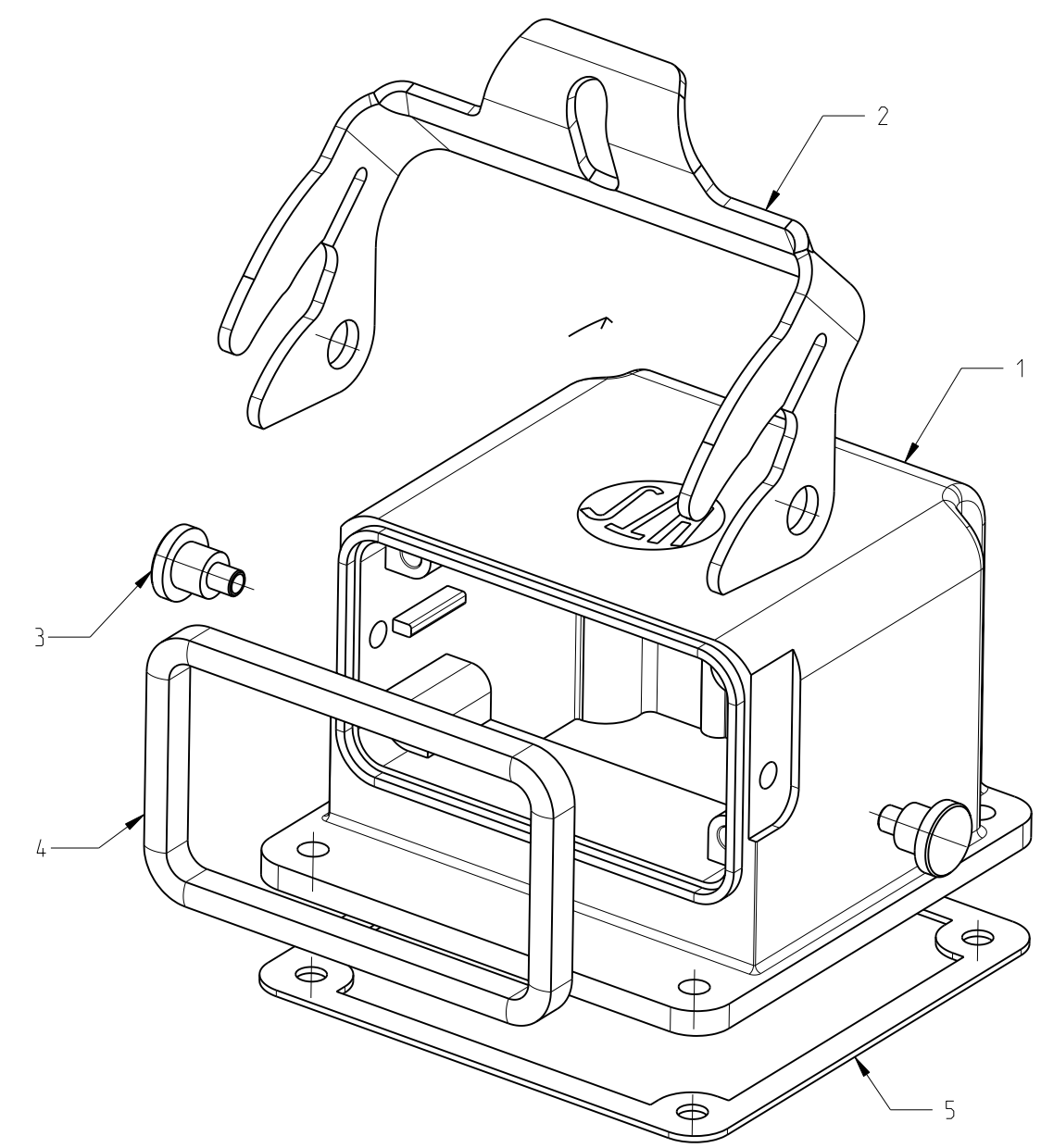
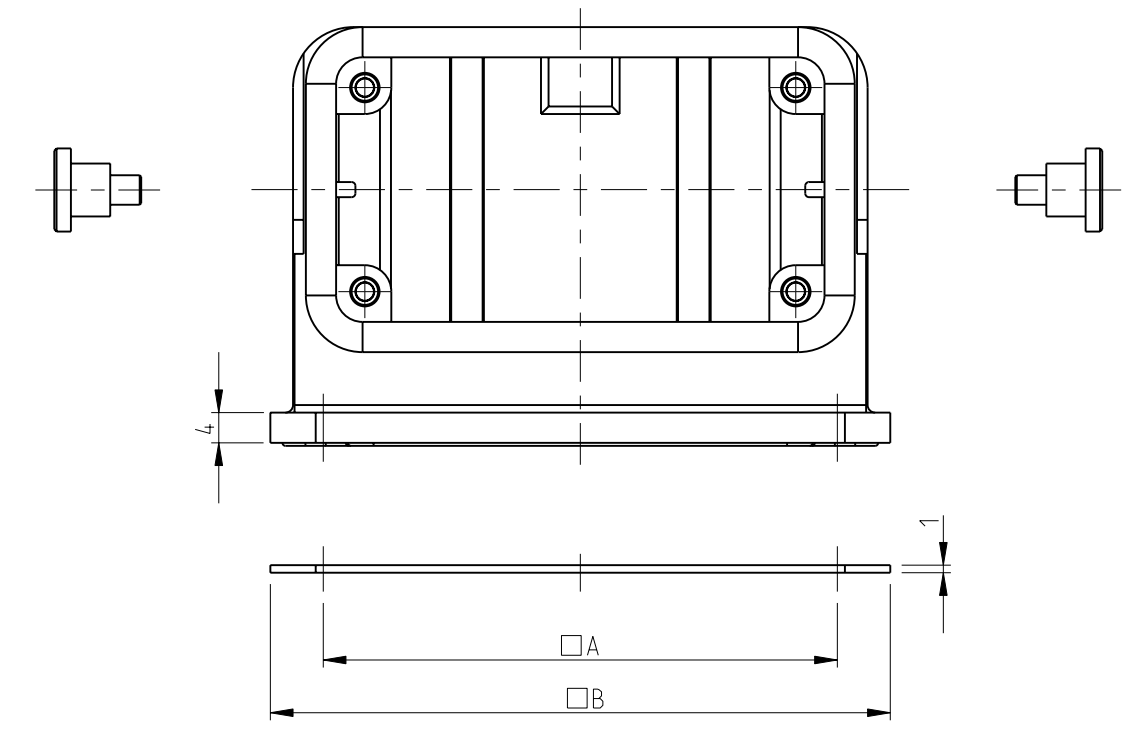
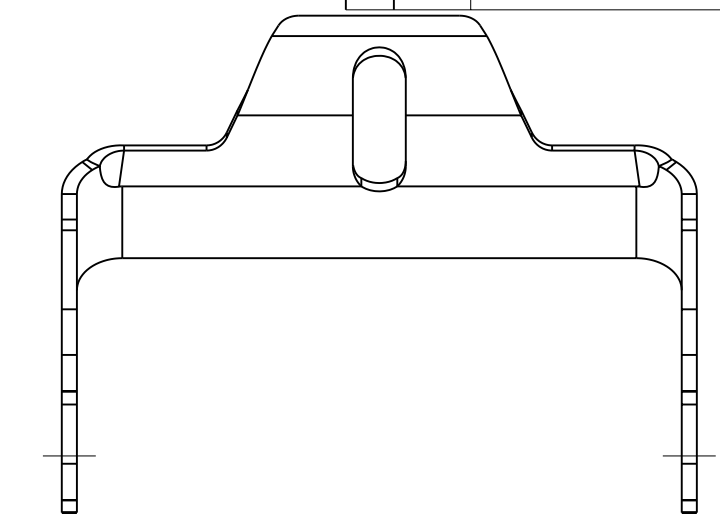
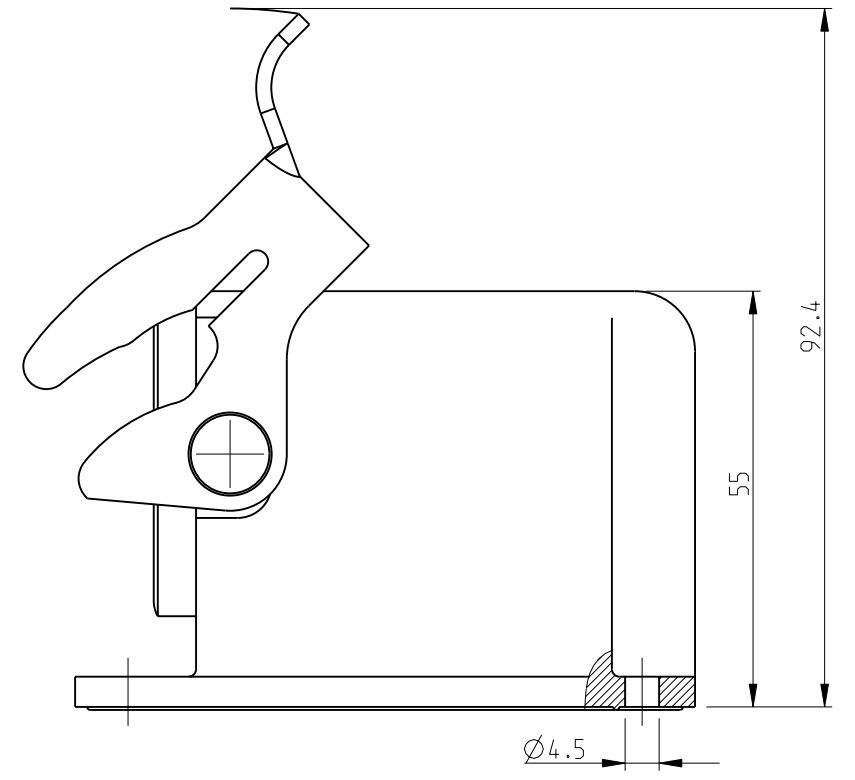
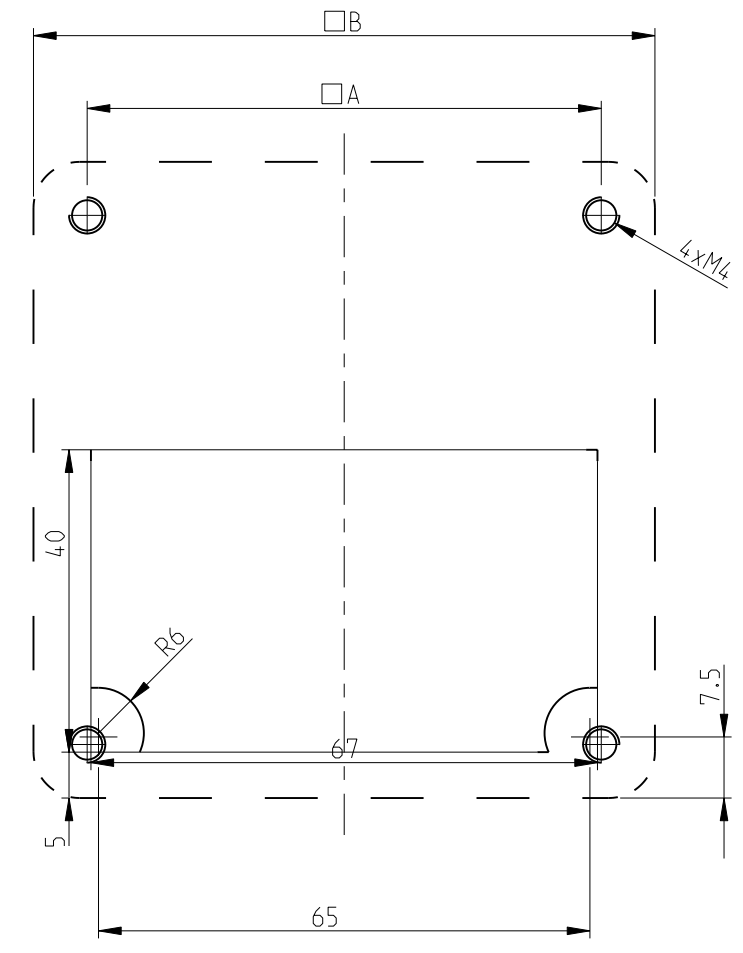


THIS DRAWING IS UNPUBLISHED. RELEASED FOR PUBLICATION
 © COPYRIGHT copyright_date BY TYCO ELECTRONICS CORPORATION. ALL RIGHTS RESERVED.

LOC	DIST	P	LTR	REVISIONS	DATE	DWN	APVD
A1	-			A6 Released as per ECR-09-006193	17-Mar-2009	CJ	TS

Panel Cut-Out



- Notes
- 1 Material: Housing: Aluminium Die Cast Alloy
Seals: Neoprene
 - 2 Surface: Power Varnish, Grey
 - 3 Varnish on the inside not necessary

QTY	DESCRIPTION	PART NO	MATERIAL	SURFACE	A	B	REMARKS	ITEM NO
1	FLANGE SEAL	0-1245077-1	NBR	BLACK				5
1	PROFILE SEAL	0-1110426-2	NBR	BLACK				4
1	CLIP POSITIONER	0-1245084-1	STEEL	BLUE				3
1	SIDE CLIP	0-1110444-1	STEEL	BLUE				2
1	MCH-HM.10-98/98	1-1245076-4	ALU	GREY		98		1
1	MCH-HM.10-94/94	1-1245076-3	ALU	GREY	80	94		1
1	MCH-HM.10-90/90	1-1245076-5	ALU	GREY	79	90		1
1	MCH-HM.10-85/85	1-1245076-2	ALU	GREY	73	85		1
1	MCH-HM.10-82/82	1-1245076-1	ALU	GREY	68	82		1
1	MCH-HM.10-82/82-S0	1-1245076-6	ALU	GREY	68	82	NO LOGO	1
8-8	DESCRIPTION	PART NO	MATERIAL	SURFACE	A	B	REMARKS	ITEM NO
8-4								
8-0								
0-2								
9-8								
9-4								
9-0								
8-5								
8-2								
0-1								
	HM.10-82/82-S0							
	HM.10-82/82							
	HM.10-85/85							
	HM.10-90/90							
	HM.10-94/94							
	HM.10-98/98							
	HM.10-82/82-SET							
	HM.10-90/90							
	HM.10-94/94							
	HM.10-98/98							

THIS DRAWING IS A CONTROLLED DOCUMENT FOR TYCO ELECTRONICS CORPORATION
 IT IS SUBJECT TO CHANGE AND THE CONTROLLING ENGINEERING ORGANIZATION
 SHOULD BE CONTACTED FOR THE LATEST REVISION.

DWN Schneider 16.02.2001
 CHK Schneider 16.02.2001
 APVD -

tyco
 Electronics

Tyco Electronics, AMP GmbH
 D-53819, Neunkirchen, Germany

MOTOR CONNECTOR HOUSING
 HM 10

SIZE A2 CAGE CODE 00779 DRAWING NO G-1108772 RESTRICTED TO -

CUSTOMER DRAWING SCALE 1:1 SHEET 1 OF 1 REV A6

X-ON Electronics

Largest Supplier of Electrical and Electronic Components

Click to view similar products for [Heavy Duty Power Connectors](#) category:

Click to view products by [TE Connectivity](#) manufacturer:

Other Similar products are found below :

[1424439](#) [1424438](#) [09330062652](#) [2-8675P1](#) [605601-1](#) [6340G1](#) [6341G1](#) [6360G1](#) [6373G1](#) [6374g2](#) [6396G1](#) [647757-1](#) [66394-4](#) [6643411-1](#)
[6646058-2](#) [6646137-1](#) [6646138-1](#) [6646348-1](#) [6646479-1](#) [6646608-1](#) [6646786-1](#) [6646940-1](#) [6651091-1](#) [6651525-1](#) [6651529-1](#) [6651778-1](#)
[6651788-1](#) [696465-1](#) [696475-1](#) [73000005059](#) [73000005349](#) [73000005642](#) [73080255059](#) [73080965046](#) [765-15-0080A](#) [765-16-0080B](#)
[789.700-44](#) [789.700-54](#) [80-1010](#) [80-9](#) [827381-1](#) [829992-1](#) [902-77-02113](#) [PL00U-301-10D10](#) [PM103MOOLOO](#) [PM16S1620S32-50](#)
[PM212MOOLOO](#) [PM309FOOLOO](#) [PM324FOOLCH](#) [PMHPAF11S03](#)