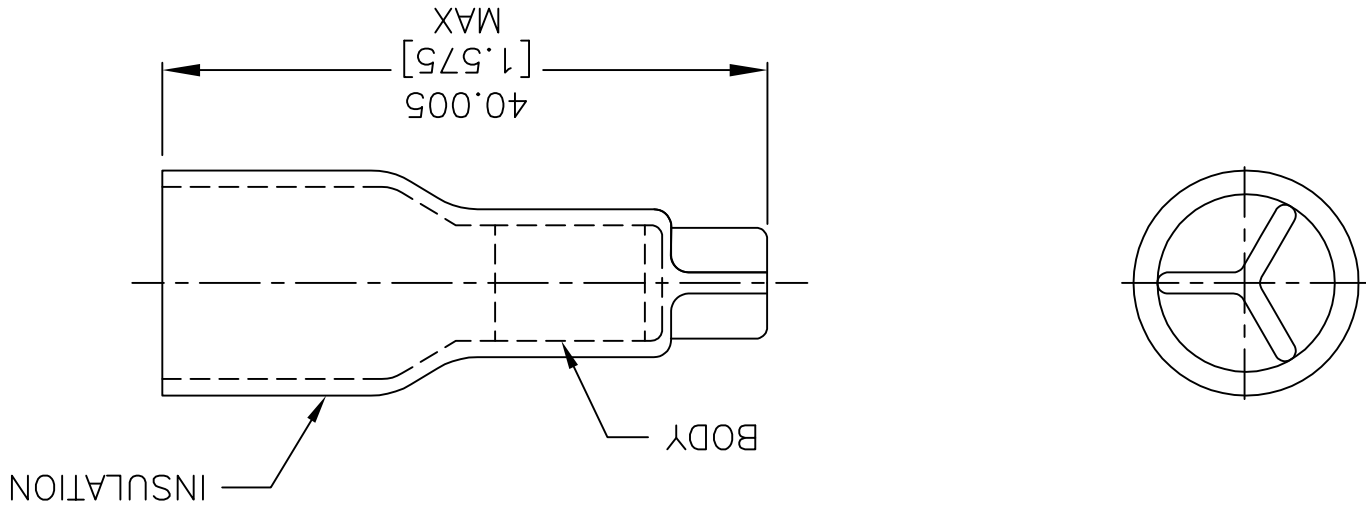
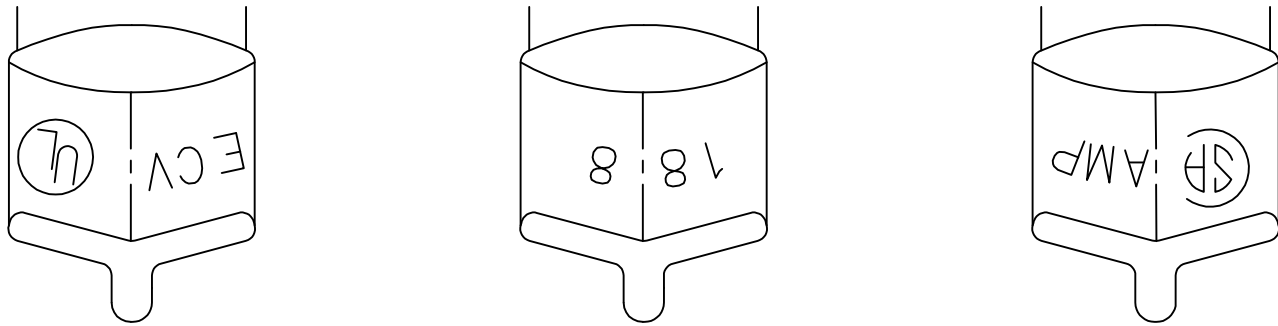


FOR ORDER ENTRY		1-800-526-5142		THIS DRAWING IS A CONTROLLED DOCUMENT FOR AMP INCORPORATED. IT IS SUBJECT TO CHANGE AND THE CONTROLLING ENGINEERING ORGANIZATION SHOULD BE CONTACTED FOR THE LATEST REVISION.	
FOR APPLICATION		1-800-722-1111		5.23-10.55mm ² [10320-20820] SOLID OR STRANDED	
FOR ADDITIONAL COPIES OF DRAWINGS AND TECHNICAL DOCUMENTS		1-800-522-6752		CIRCULAR MIL AREA: 600V MAX (BUILDING & WIRING) 1000V MAX (FIXTURES & SIGNS) VOLTAGE RATING: 105°C[221°F] MAX	
AMP INCORPORATED CUSTOMER SERVICE SYSTEMS		PRODUCT INFORMATION CENTER		TEMPERATURE: MAX RECOMMENDED OPERATING	
THIS DRAWING IS A CONTROLLED DOCUMENT.		DIMENSIONS: mm [INCHES]		FINISH	
DWN G KRUPER 1/93		TOLERANCES UNLESS OTHERWISE SPECIFIED:		0 PLC ± - 1 PLC ± - 2 PLC ± - 3 PLC ± 0.127[.005] 4 PLC ± -	
CHK R HERSEY 1/93		APVD M ELLIS 1/93		MATERIAL	
NAME		NAME		2	
STE TE Connectivity		SPLICE, WIRE, CLOSED END 18-8 AWG		3	
DRAWING NO		DRAWING NO		CUSTOMER DRAWING	
320788		320788		SCALE 2:1	
REV U2		REV U2		SHEET 1 OF 1	

QTY	DESCRIPTION	PART NO
250	LOOSE PIECE	320788



STAMPING DETAIL



AMP WIRE RANGE	Listed	18-8 AWG SOLID OR STRANDED
UL Logo	LR7189 Certified	18-8 AWG SOLID OR STRANDED

1 FOR $\phi 12.700$ [$\phi .500$] MAX WIRE INSULATION.
 2 MATERIAL: BODY; COPPER PER ASTM B152
 COLOR: GREEN
 3 FINISH: BODY; TIN PLATE PER ASTM B-545

REVISIONS			
P	LTR	DESCRIPTION	DATE
U1	RK	REVISED PER ECO-11-004917	11MAR11
U2	RS	REVISED PER ECO-17-006294	09OCT2017
DR	APVD		

X-ON Electronics

Largest Supplier of Electrical and Electronic Components

Click to view similar products for [Terminals](#) category:

Click to view products by [TE Connectivity](#) manufacturer:

Other Similar products are found below :

[HT-13-10](#) [71M-250-32-NB](#) [01-2065-1-0216](#) [00581P0075](#) [M10-10RX](#) [M10BCK](#) [60205-1](#) [604200-1](#) [60598-1-CUT-TAPE](#) [60617-1-C](#) [60873-1](#) [M14-516R/SK](#) [M14-6RSX](#) [M18-10FLX](#) [M18-8FBX](#) [M18-8R/LX](#) [M18BCK](#) [61314-6-C](#) [61-S](#) [61-SN-A](#) [62-NBM-A](#) [63-S](#) [640179-1](#) [640917-2-CUT-TAPE](#) [6501550002](#) [66107-2-C](#) [696683-1](#) [696834-1](#) [696861-1](#) [696931-1](#) [696999-1](#) [M8-516RK](#) [M86700006](#) [MA250DMFMX-A](#) [701-2007](#) [701-2307](#) [701-7761-03](#) [70F-110-32-PB](#) [718-N-A](#) [71M-187-20-NBL](#) [71M-250-32-NBL](#) [72F-187-20-NBL](#) [72M-250-32-NBL](#) [7310](#) [73F-250-32](#) [73F-250-32-NBL](#) [73F-250-32-NL](#) [F14-10C](#) [F-1M](#) [751-250](#)