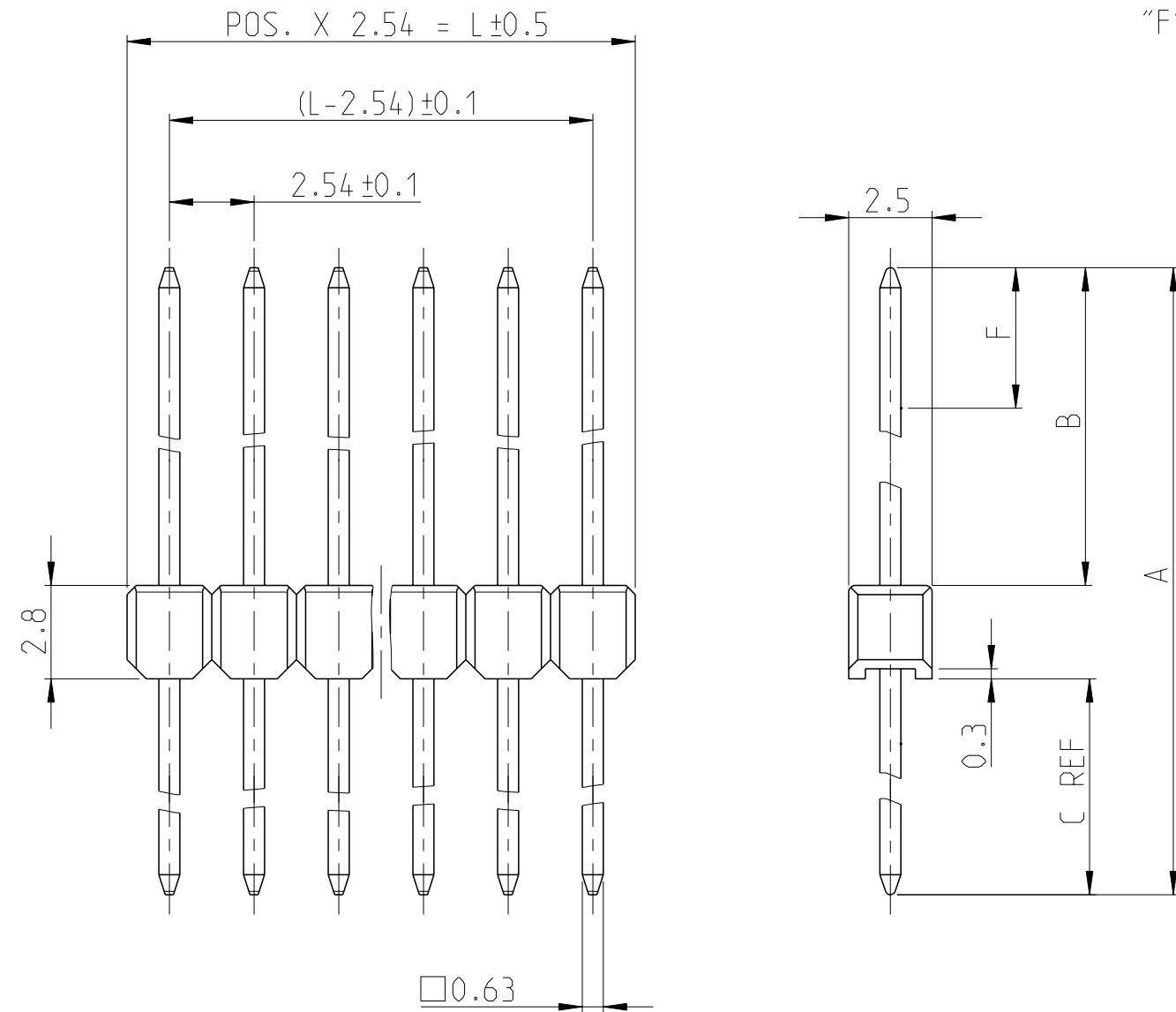


REVISIONS				
P	LTR	DESCRIPTION	DATE	APVD
	AC	Contact pin material change from CuSn to CuZn	13SEP2017	KJK PS

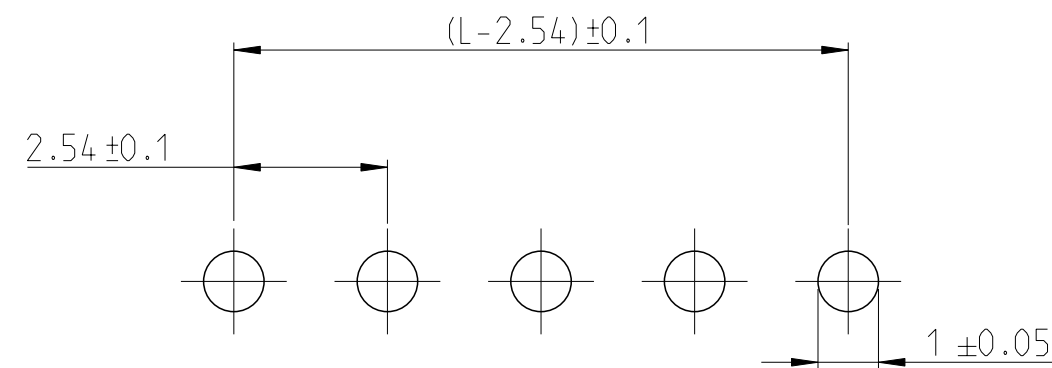


DIMENSION					PART- NO.		PART- NO.			PART- NO.					
A	B	C	F	-	SELECTIVE GOLD PLATED			TIN PLATED			SELECTIVE GOLD PLATED				
					△1	△5	△7	WEIGHT POS. PER ROW			WEIGHT POS. PER ROW			WEIGHT POS. PER ROW	
12.7	6.7	3.2	4.4	-											
12.0	6.7	2.5	4.4	-					△8	826935					
11.8	5.8	3.2	4.4	-						826936		△8	829070		0.0621 g
11.1	5.8	2.5	4.4	-						826937					
14.0	8.0	3.2	4.4	-						826938					
13.3	8.0	2.5	4.4	-					△8	826939					
12.7	6.7	3.2	5.5	-						-		△8	828356		0.0653 g

CONTACT PIN	CuZn	SEE TABLE
PIN HOUSING	PBT GV	SEE TABLE
DESCRIPTION	MATERIAL	FABRE/COLOR/PLATING/SURFACE

NOTES:

- △1 MATING SIDE : AREA "F" MIN 0.7µm PdNi + MIN 0.1µm GOLD OVER 1.27µm NICKEL BY AREA "B"  
SOLDER SIDE: MIN 3µm TIN OVER 1.27µm NICKEL
- △2 MATING AND SOLDER SIDE : MIN 3µm TIN OVER 1.27µm NICKEL
- △3 MATING SIDE: AREA "F" 0.13µm GOLD OVER 1.27µm NICKEL BY AREA "B"  
SOLDER SIDE: MIN 3µm TIN OVER 1.27µm NICKEL
- △4 COLOR OF HOUSING: GREY
- △5 COLOR OF HOUSING: GREEN
- △6 TOLERANCES NOT CUMULATIVE
- △7 THE NUMBER OF POSITION PER ROW HAS TO BE ADDED TO THE BASE NO. AS A DASH NO.  
EG: 2-826629-0 = 20 POSITIONS  
  
THE NUMBER OF POSITIONS PER ROW IS ALSO THE FACTOR FOR THE WEIGHT DETERMINATION  
E.G: 20 X 0.0654 g = 1.308 g
- △8 OBSOLETE

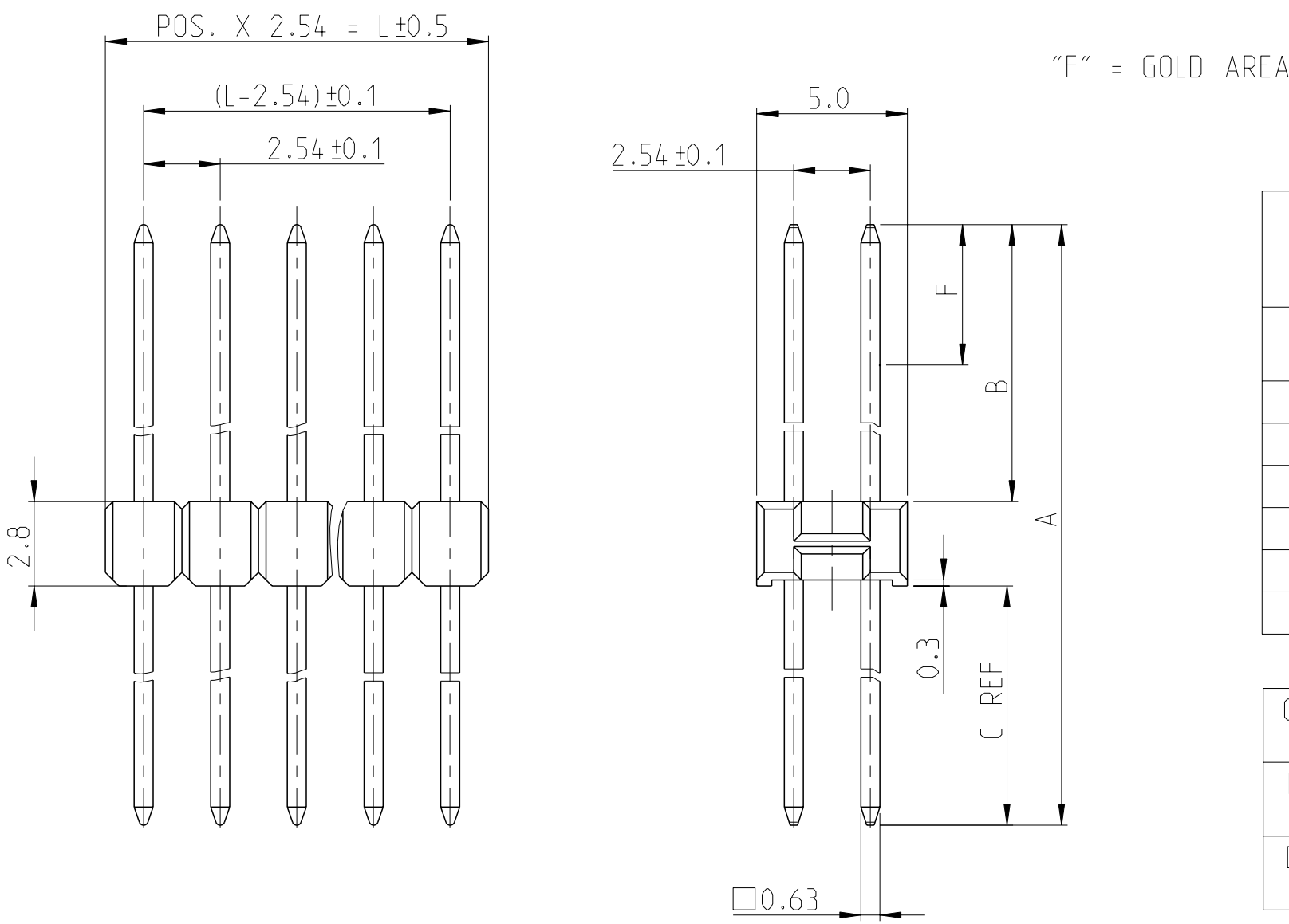


SCALE 8:1  
LAYOUT FOR HOLES ON PCB

THIS DRAWING IS A CONTROLLED DOCUMENT.		DWN G.HOLAUS 10NOV1989	TE Connectivity	
DIMENSIONS: mm		CHK SCHAARSCHMIDT M.		
TOLERANCES UNLESS OTHERWISE SPECIFIED: ±0.2mm		APVD	NAME AMPMODU II PIN HEADER, SINGLE ROW, DUAL ROW, VERTICAL AND RIGHT ANGLE MOUNT	
		PRODUCT SPEC 108-18012	SIZE A2	
MATERIAL SEE TABLE		APPLICATION SPEC 114-25011	CAGE CODE 00779	DRAWING NO C-826629
FINISH		WEIGHT	RESTRICTED TO	
		CUSTOMER DRAWING	SCALE 5:1	SHEET 1 OF 4
			REV AC	

THIS DRAWING IS UNPUBLISHED. RELEASED FOR PUBLICATION 20  
 © COPYRIGHT 20 BY ALL RIGHTS RESERVED.

REVISIONS				
P	LTR	DESCRIPTION	DATE	APVD
		SEE SHEET 1		

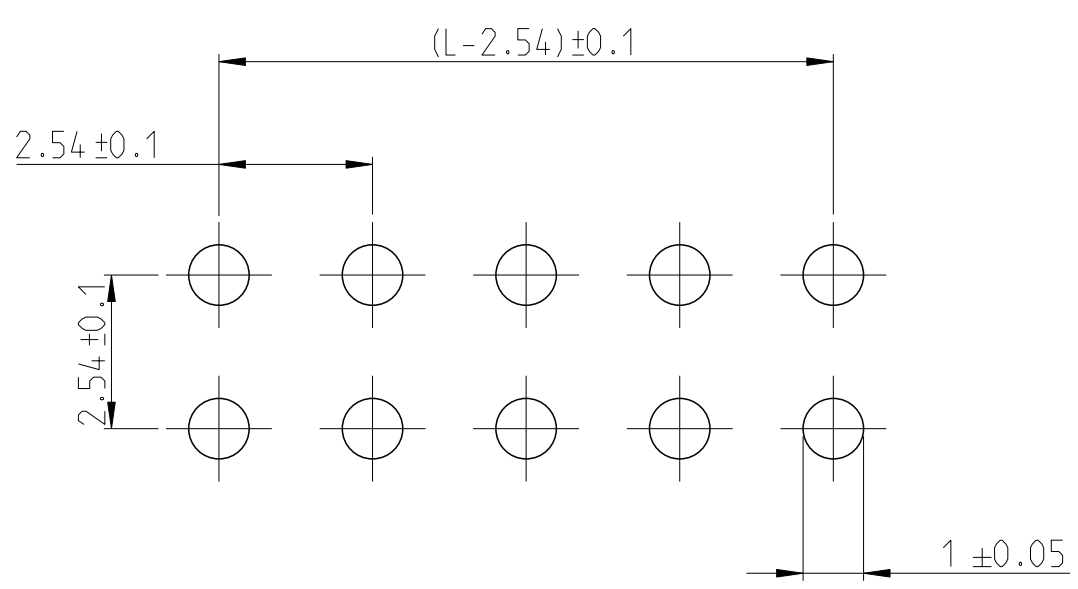


DIMENSION					PART-NO.		PART- NO.		PART- NO.		
					SELECTIVE GOLD PLATED		△7	TIN PLATED	△7	SELECTIVE GOLD PLATED	
A	B	C	F	-	△1 △5 △7	WEIGHT POS. PER ROW	△2 △5 △7	WEIGHT POS. PER ROW	△3 △4 △7	WEIGHT POS. PER ROW	
12.7	6.7	3.2	5.5	-	826632	0.1276 g	826925	0.1279 g	828420		0.1272 g
12.0	6.7	2.5	4.4	-	826633	0.1226 g	826941	0.1229 g			
11.8	5.8	3.2	4.4	-	826656	0.1212 g	826942	0.1217 g	△8 828533		0.1209 g
11.1	5.8	2.5	4.4	-	826657	0.1162 g	826943	0.1165 g			
14.0	8.0	3.2	4.4	-	826658	0.1366 g	826944	0.1370 g			
13.3	8.0	2.5	4.4	-	826659	0.1316 g	△8 826945	0.1323 g			

CONTACT PIN	CuZn	SEE TABLE
PIN HOUSING	PBT GV	SEE TABLE
DESCRIPTION	MATERIAL	FABRE/COLOR/PLATING/SURFACE

NOTES:

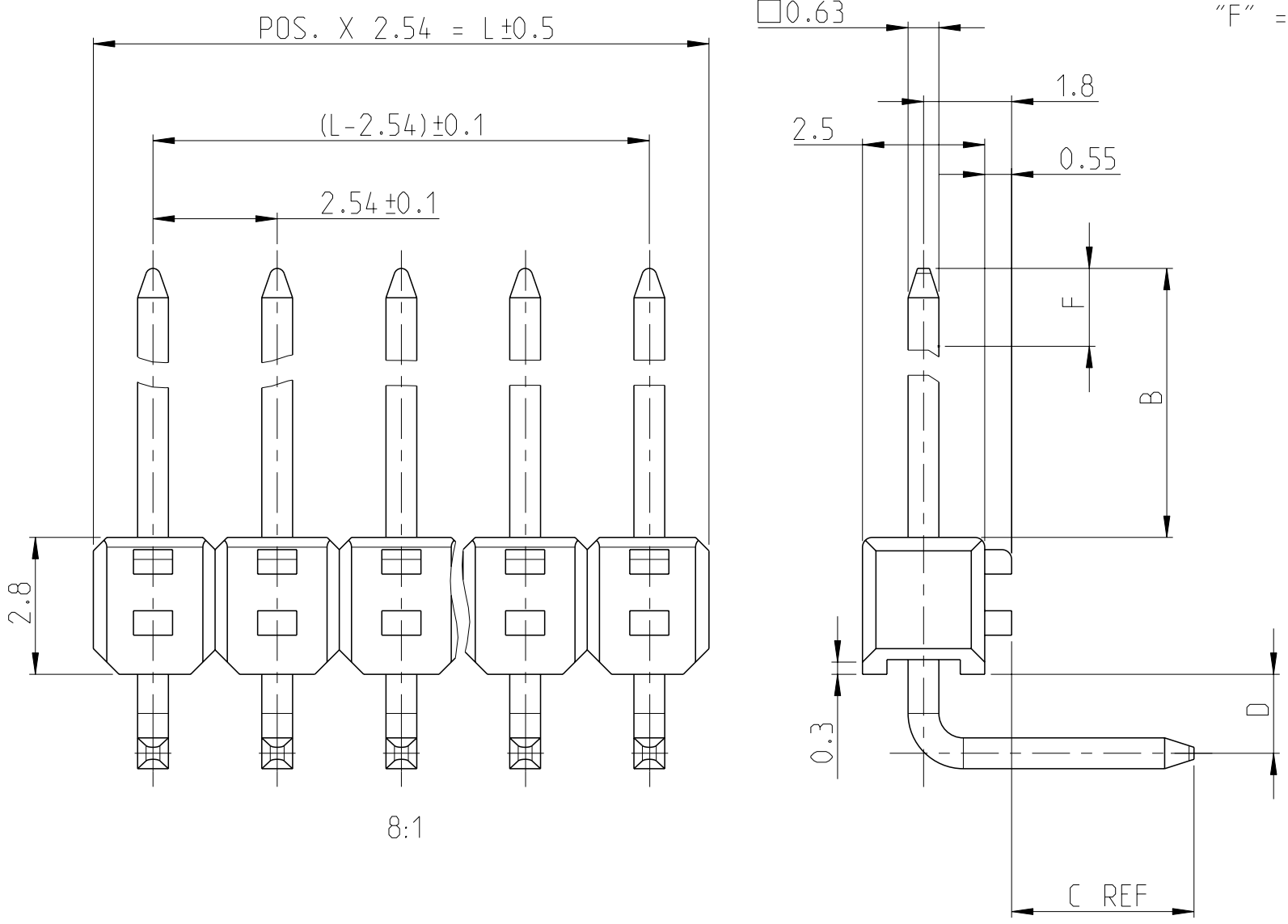
- △1 MATING SIDE : AREA "F" MIN 0.7µm PdNi + MIN 0.1µm GOLD OVER 1.27µm NICKEL BY AREA "B"  
SOLDER SIDE: MIN 3µm TIN OVER 1.27µm NICKEL
- △2 MATING AND SOLDER SIDE : MIN 3µm TIN OVER 1.27µm NICKEL
- △3 MATING SIDE: AREA "F" 0.13µm GOLD OVER 1.27µm NICKEL BY AREA "B"  
SOLDER SIDE: MIN 3µm TIN OVER 1.27µm NICKEL
- △4 COLOR OF HOUSING: GREY
- △5 COLOR OF HOUSING: GREEN
- △6 TOLERANCES NOT CUMULATIVE
- △7 THE NUMBER OF POSITION PER ROW HAS TO BE ADDED TO THE BASE NO. AS A DASH NO.  
EG: 2-826632-0 = 20 POSITIONS  
  
THE NUMBER OF POSITIONS PER ROW IS ALSO THE FACTOR FOR THE WEIGHT DETERMINATION  
E.G: 20 X 0.1276 g = 2.552 g
- △8 OBSOLETE



SCALE 8:1  
LAYOUT FOR HOLES ON PCB

THIS DRAWING IS A CONTROLLED DOCUMENT.		DWN G.HOLAUS 10NOV1989	TE Connectivity	
DIMENSIONS: mm		CHK SCHAARSCHMIDT M.		
TOLERANCES UNLESS OTHERWISE SPECIFIED: ±0.2mm		PRODUCT SPEC	NAME AMPMODU II PIN HEADER, SINGLE ROW, DUAL ROW, VERTICAL AND RIGHT ANGLE MOUNT	
MATERIAL SEE TABLE		APPL. SPEC	SIZE	RESTRICTED TO
		114-25011	A2 00779	
		WEIGHT	CAGE CODE	DRAWING NO
			G-826629	
		CUSTOMER DRAWING	SCALE 5:1	SHEET 2 OF 4
				REV AC

REVISIONS				
P	LTR	DESCRIPTION	DATE	APVD
		SEE SHEET 1		

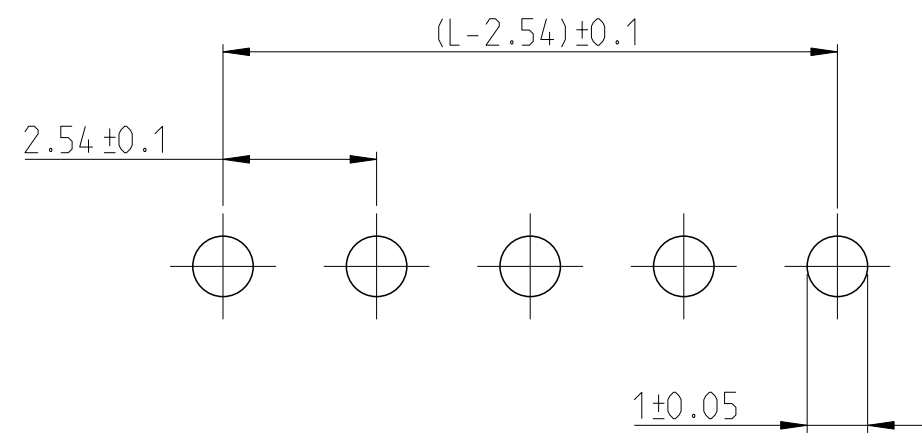


DIMENSION					PART-NO.		PART- NO.		PART- NO.		
					SELECTIVE GOLD PLATED		△7	TIN PLATED	△7	SELECTIVE GOLD PLATED	
B	C	D	F	-	△1 △5 △7	WEIGHT POS. PER ROW	△5 △7	WEIGHT POS. PER ROW	△3 △4 △7	WEIGHT POS. PER ROW	
6.7	3.2	1.3	4.4	-		826631	0.0757 g	826947/2	0.0760 g		
6.7	2.5	1.3	4.4	-		826651	0.0731 g	826948/2	0.0735 g		
5.8	3.2	1.3	4.4	-		826652	0.0726 g	826949/2	0.0728 g	△8	829071
5.8	2.5	1.3	4.4	-		826653	0.0701 g	826950/2	0.0704 g		
8.0	3.2	1.3	4.4	-		826654	0.0803 g	826951/2	0.0807 g		
8.0	2.5	1.3	4.4	-		826655	0.0777 g	△9 826952/10	0.0782 g		
6.7	3.2	1.3	5.5	-		-	-	-	-	△8	828419

CONTACT PIN	CuZn	SEE TABLE
CONTACT PIN	CuSn6/9	SEE TABLE
PIN HOUSING	PBT GV	SEE TABLE
DESCRIPTION	MATERIAL	FABRE/COLOR/PALTING/SURFACE

NOTES:

- △1 MATING SIDE : AREA "F" MIN 0.7 µm PdNi + MIN 0.1 µm GOLD OVER 1.27 µm NICKEL BY AREA "B"  
SOLDER SIDE: MIN 3 µm TIN OVER 1.27 µm NICKEL
- △2 MATING AND SOLDER SIDE : MIN 3 µm TIN OVER 1.27 µm NICKEL
- △3 MATING SIDE: AREA "F" 0.13 µm GOLD OVER 1.27 µm NICKEL BY AREA "B"  
SOLDER SIDE: MIN 3 µm TIN OVER 1.27 µm NICKEL
- △4 COLOR OF HOUSING: GREY
- △5 COLOR OF HOUSING: GREEN
- △6 TOLERANCES NOT CUMULATIVE
- △7 THE NUMBER OF POSITION PER ROW HAS TO BE ADDED TO THE BASE NO. AS A DASH NO.  
EG: 2-826631-0 = 20 POSITIONS  
  
THE NUMBER OF POSITIONS PER ROW IS ALSO THE FACTOR FOR THE WEIGHT DETERMINATION  
E.G: 20 X 0.0757 g = 1.514 g
- △8 OBSOLETE
- △10 MATING AND SOLDER SIDE : 2 µm TIN OVER 1.27 µm NICKEL

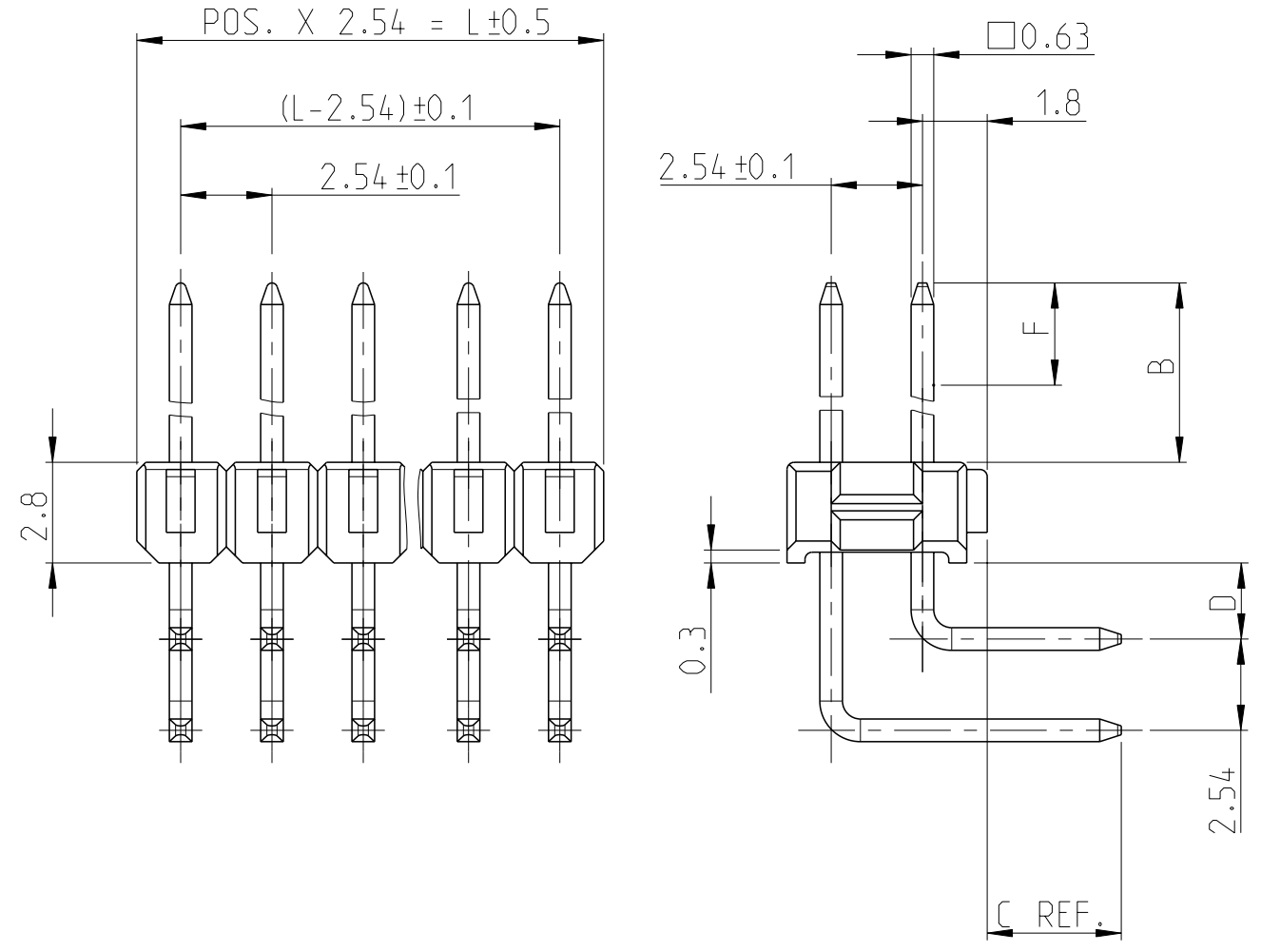


SCALE 8:1  
LAYOUT FOR HOLES ON PCB

THIS DRAWING IS A CONTROLLED DOCUMENT.		DWN G.HOLAUS	10NOV1989	<b>STE</b> TE Connectivity	
DIMENSIONS: mm		CHK SCHAARSCHMIDT M.	APVD		
TOLERANCES UNLESS OTHERWISE SPECIFIED: ±0.2mm		NAME		AMPMODU II PIN HEADER, SINGLE ROW, DUAL ROW, VERTICAL AND RIGHT ANGLE MOUNT	
0 PLC ±		PRODUCT SPEC		108-18012	
1 PLC ±		APPLICATION SPEC		114-25011	
2 PLC ±		WEIGHT		-	
3 PLC ±		SIZE		A2	
4 PLC ±		CAGE CODE		00779	
ANGLES		DRAWING NO		C=826629	
FINISH		RESTRICTED TO		-	
MATERIAL SEE TABLE		CUSTOMER DRAWING		SCALE 5:1 SHEET 3 OF 4 REV AC	

THIS DRAWING IS UNPUBLISHED. RELEASED FOR PUBLICATION 20  
 © COPYRIGHT 20 BY - ALL RIGHTS RESERVED.

REVISIONS				
P	LTR	DESCRIPTION	DATE	APVD
		SEE SHEET 1		



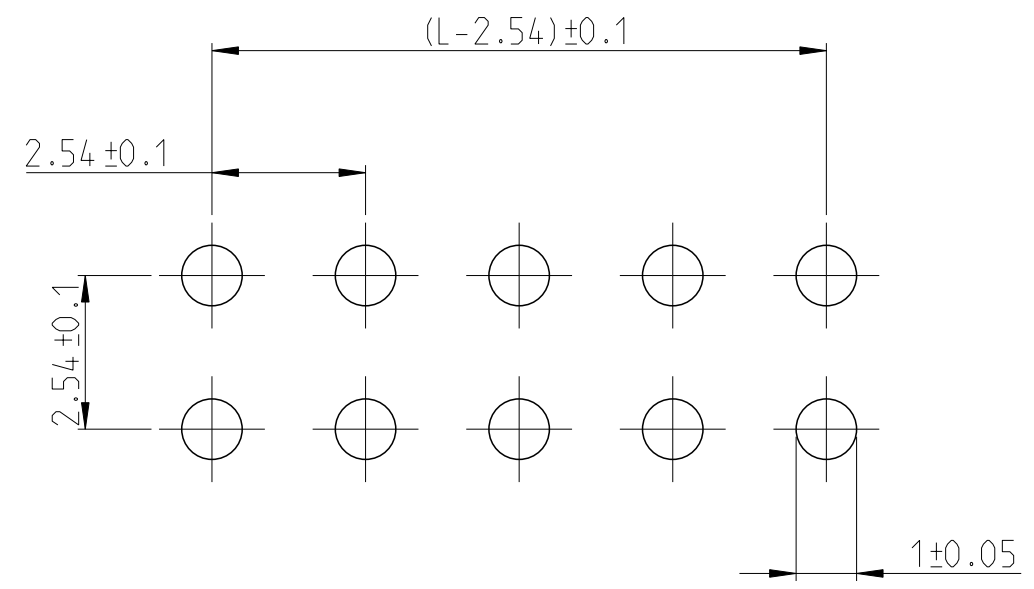
"F" = GOLD AREA

DIMENSION					PART-NO.		PART- NO.		PART- NO.	
					SELECTIVE GOLD PLATED	△7	TIN PLATED	△7	SELECTIVE GOLD PLATED	△7
B	C	D	F	-	△1 △5 △7	WEIGHT POS. PER ROW	△2 △5 △7	WEIGHT POS. PER ROW	△3 △4 △7	WEIGHT POS. PER ROW
6.7	3.2	1.3	4.4	-	826634	0.1646 g	826953	0.1656 g	△8 828418	0.1651 g
6.7	2.5	1.3	4.4	-	△8 826661	0.1597 g	△8 826954	0.1606 g		
5.8	3.2	1.3	4.4	-	826662	0.1587 g	826955	0.1603 g	△8 829072	0.1587 g
5.8	2.5	1.3	4.4	-	826663	0.1538 g	△8 826956	0.1542 g		
8.0	3.2	1.3	4.4	-	826664	0.1741 g	826957	0.1749 g		
8.0	2.5	1.3	4.4	-	826665	0.1687 g	△8 826958	0.1699 g		

CONTACT PIN	CuZn	SEE TABLE
PIN HOUSING	PBT GV	SEE TABLE
DESCRIPTION	MATERIAL	FABRE/COLOR/PALTING/SURFACE

NOTES:

- △1 MATING SIDE : AREA "F" MIN 0.7 µm PdNi + MIN 0.1 µm GOLD OVER 1.27 µm NICKEL BY AREA "B"  
SOLDER SIDE: MIN 3 µm TIN OVER 1.27 µm NICKEL
- △2 MATING AND SOLDER SIDE : MIN 3 µm TIN OVER 1.27 µm NICKEL
- △3 MATING SIDE: AREA "F" 0.13 µm GOLD OVER 1.27 µm NICKEL BY AREA "B"  
SOLDER SIDE: MIN 3 µm TIN OVER 1.27 µm NICKEL
- △4 COLOR OF HOUSING: GREY
- △5 COLOR OF HOUSING: GREEN
- △6 TOLERANCES NOT CUMULATIVE
- △7 THE NUMBER OF POSITION PER ROW HAS TO BE ADDED TO THE BASE NO. AS A DASH NO.  
EG: 2-826634-0 = 20 POSITIONS  
  
THE NUMBER OF POSITIONS PER ROW IS ALSO THE FACTOR FOR THE WEIGHT DETERMINATION  
E.G: 20 X 0.1646 g = 3.292 g
- △8 OBSOLETE



SCALE 8:1  
LAYOUT FOR HOLES ON PCB

THIS DRAWING IS A CONTROLLED DOCUMENT.		DWN G.HOLAUS 10NOV1989	TE Connectivity	
DIMENSIONS: mm		CHK SCHAARSCHMIDT M.		
TOLERANCES UNLESS OTHERWISE SPECIFIED: ±0.2mm		△6	NAME AMPMODU II PIN HEADER, SINGLE ROW, DUAL ROW, VERTICAL AND RIGHT ANGLE MOUNT	
MATERIAL SEE TABLE		PRODUCT SPEC 108-18012	SIZE 114-25011	
FINISH		APPLICATION SPEC	RESTRICTED TO	
		WEIGHT	A2 00779 C-826629	
		CUSTOMER DRAWING	SCALE 5:1 SHEET 4 OF 4 REV AC	

## X-ON Electronics

Largest Supplier of Electrical and Electronic Components

*Click to view similar products for [Headers & Wire Housings](#) category:*

*Click to view products by [TE Connectivity](#) manufacturer:*

Other Similar products are found below :

[95000-104TRLF](#) [10135584-644402LF](#) [DF62W-EP2022PCA](#) [95000-106TRLF](#) [DF62W-2022SCA](#) [DF62W-EP2022PC](#) [2203348](#) [DF62W-2022SC](#) [1084018](#) [1029039](#) [1084017](#) [802-10-012-10-002000](#) [1112640](#) [1112639](#) [000-34000](#) [0009482033](#) [0009507031](#) [57102-S06-03LF](#) [57202-S52-04LF](#) [PCN6-15S-2.5E](#) [0039019024](#) [58102-G61-06LF](#) [582553-1](#) [0009485154](#) [0009508121](#) [0022285053](#) [0050291907](#) [018731A](#) [LY20-4P-DT1-P1E-BR](#) [02.125.8002.8](#) [60101931](#) [60598-1 \(Cut Strip\)](#) [M1625-3R/100](#) [61062-3](#) [61082-181009](#) [636-1427](#) [638009-1](#) [641938-9](#) [641991-4](#) [644168-1](#) [647662-1](#) [65039-019ELF](#) [65817-002LF](#) [65817-015LF](#) [65863-015LF](#) [66207-023LF](#) [67016-026LF](#) [67046-001LF](#) [67095-007LF](#) [67230-005LF](#)