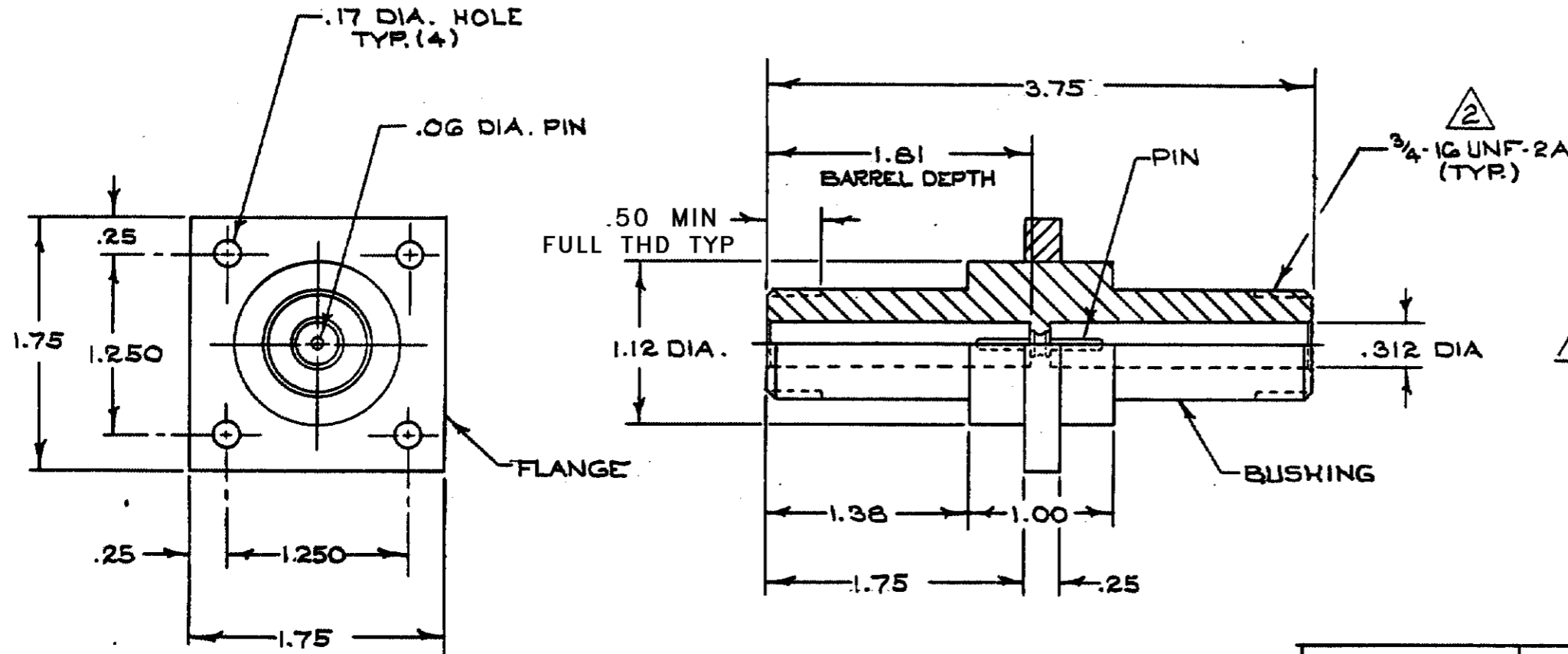


© COPYRIGHT 1973 BY AMP INCORPORATED, HARRISBURG, PA. ALL INTERNATIONAL RIGHTS RESERVED.

Unpublished copy not to be reproduced without written permission of AMP Incorporated

THIS PRODUCT DESIGNED AND BUILT BY AMP INCORPORATED. NO LICENSE TO USE THAT DESIGN IN MANUFACTURE, OR TO USE ANY ISSUED OR PENDING PATENTS WHICH ARE INVOLVED, IS IMPLIED.

REVISIONS				
ZONE	LTR	DESCRIPTION	DATE	APPROVED
	A	REV. & REDRAWN	6-4-73	Ken X
✓	B	OBSOLETE -2 ECN 53630	1-29-87	JM
	C	REV PER ECN S-3960	4-12-87	RS
	D	REACTIVATE -2 DF-7279 CT	2-93	DE 2/11/93
	E	ECO-10-007742 PY	4-10	DE



1 RECEPTACLE TO MATE WITH AMP LGH -3 LEAD ASSEMBLY, AVAILABLE SEPARATELY.
 2 PER FEDERAL STANDARD H-2B 3 WIRE METHOD. DIMENSION OVER WIRES TO BE: .7474 - .7654.

850909-2	AS SHOWN WITH GOLD PLATED PIN
850909-1	AS SHOWN WITH TIN PLATED PIN

QTY REQD	QTY REQD	ITEM NO	DWG SIZE	PART OR IDENTIFYING NO	NOMENCLATURE OR DESCRIPTION	SYMBOL
-2	-1					

UNLESS OTHERWISE SPECIFIED: DECIMALS } .00 = ±.02 .000 = ±.005 ANGLES = ± HOLES } UNDER .251 = .251 TO .500 = OVER .500 = DIMENSIONS ARE IN INCHES				CONTRACT NO DR L. GEIB 6-10-69		AMP INCORPORATED Elizabethtown, Pa.	
MATERIAL MOLDED GLASS EPOXY				NAME LGH-3 RECEPTACLE FEED THRU ASSY (FOR BULKHEAD APPLICATION)		SIZE B	
FINISH BLACK				DGSN APPD J.W. GAW 6-12-69		CODE IDENT NO 89110	
OTHER APPD				NUMBER 850909		REV E	
NEXT ASSY				SCALE		WT	
FINAL ASSY				SHEET		OF	
NEXT ASSY				APPLICATION		QTY REQD	

DO NOT SCALE PRINT

PRINT DIST

X-ON Electronics

Largest Supplier of Electrical and Electronic Components

Click to view similar products for [Standard Circular Connector](#) category:

Click to view products by [TE Connectivity](#) manufacturer:

Other Similar products are found below :

[C015](#) [10F006](#) [001](#) [1](#) [5M2530B10P](#) [600259N006](#) [600273N007](#) [600432N009](#) [6280-2PG-519](#) [6280-3PG-311](#) [6280-3SG-311](#) [6280-7SG-3DC](#)
[6280-7SG-522](#) [6282-5PG-311](#) [6282-6PG-519](#) [6282-8SG-311](#) [6283-11](#) [6283-15](#) [6290](#) [6382-2PG-311](#) [6382-2PG-3DC](#) [6382-2SG-321](#) [6382-2SG-3DC](#) [6382-4SG-516](#) [67-03E20-37P](#) [681-PMG](#) [CXS3102A14S2P](#) [CXS3102A181S](#) [CXS3106A14S6S](#) [MB12P-1](#) [MB12R-6](#) [7251-2PG-300](#) [7251-2SG-300](#) [7251-4PG-300](#) [7251-4SG-300](#) [7251-5PG-300](#) [7251-5SG-300](#) [7251-6SG-300](#) [7251-7PG-300](#) [7251-8PG-300](#) [7271-6SG-300](#) [7282-3PG-300-CH3](#) [73000005663](#) [75-190216-08S](#) [75-190218-10P](#) [75-474118-10P](#) [75-474618-01S](#) [75-474620-07P](#) [799539-000](#) [MI8-SE](#) [80-190222-18P](#) [805-005-07NF11-19PC](#) [805-005-07NF15-7PA](#)