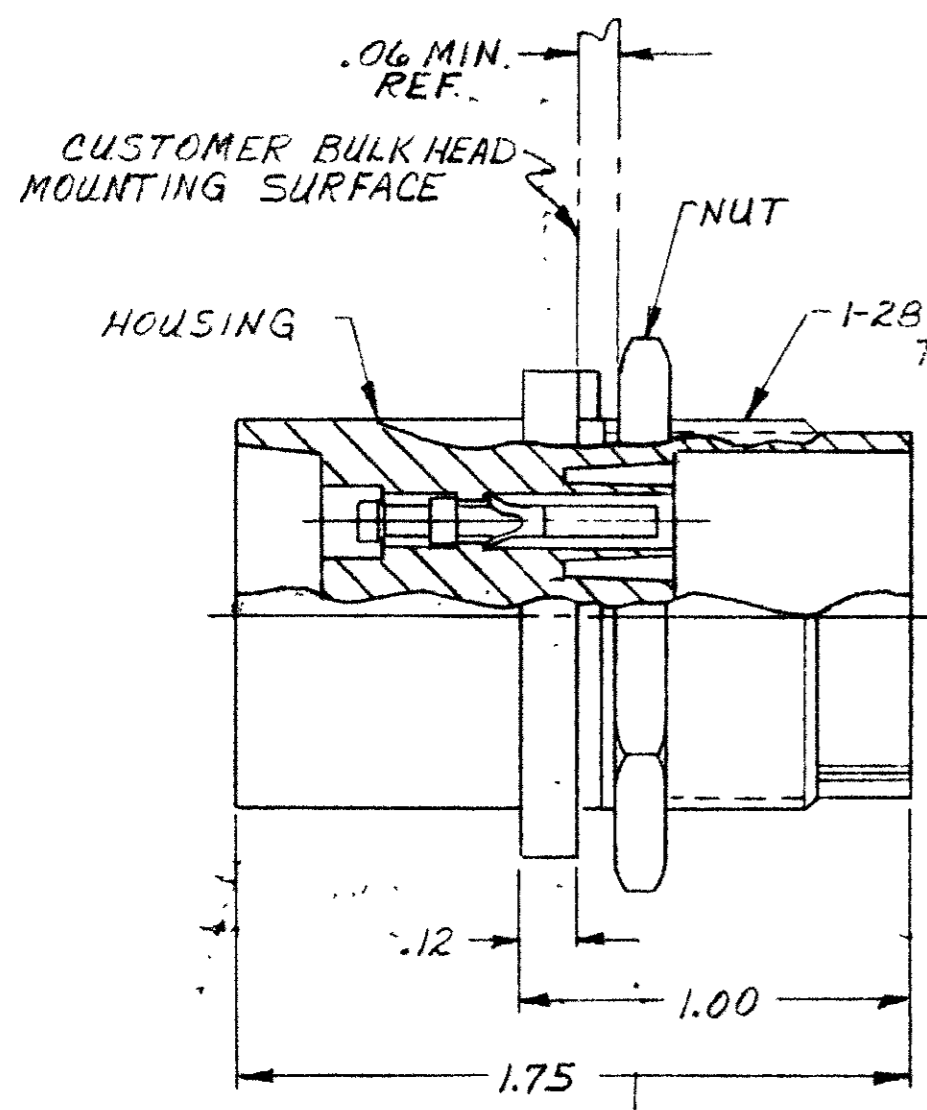


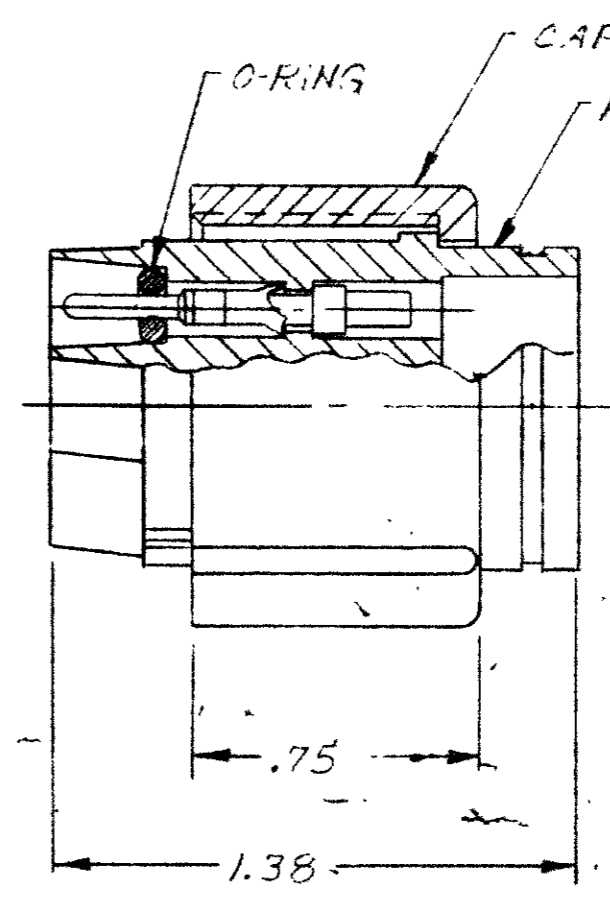
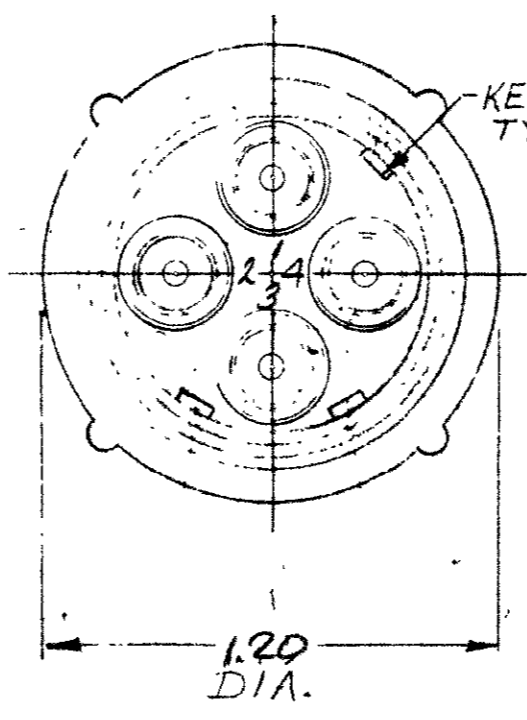
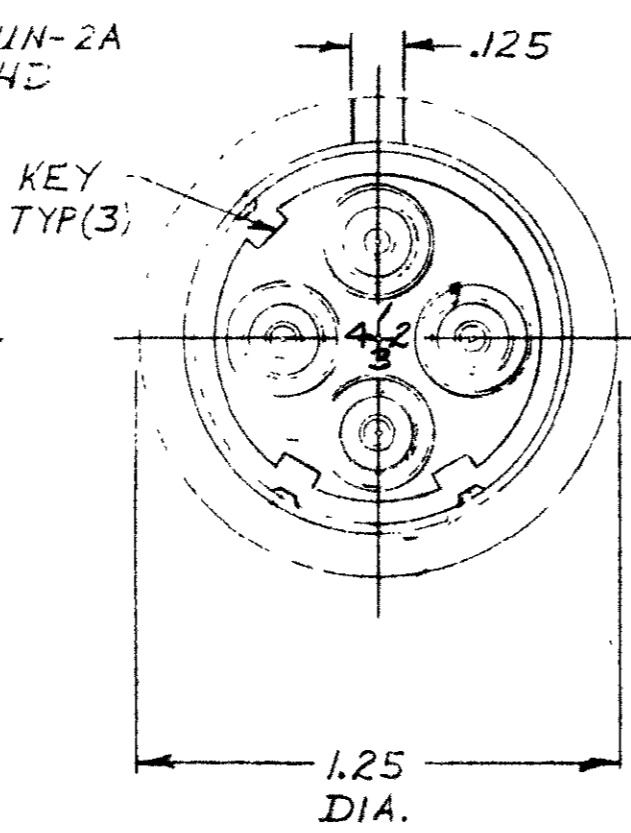
© 1966 BY AMP INCORPORATED. ALL RIGHTS RESERVED. AMP PRODUCTS COVERED BY PATENTS AND/OR PATENTS PENDING.

THIS PRODUCT DESIGNED AND BUILT BY AMP INCORPORATED. NO LICENSE TO USE THAT DESIGN IN MANUFACTURE, OR TO USE ANY ISSUED OR PENDING PATENTS WHICH ARE INVOLVED, IS IMPLIED.

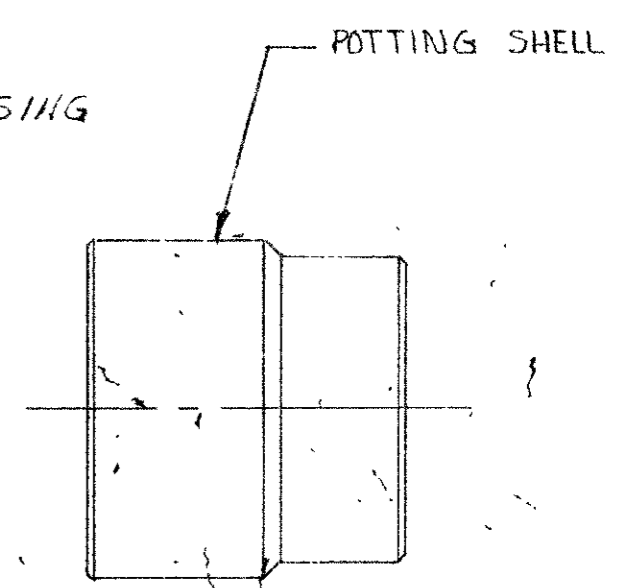
REVISIONS				
ZONE	LTR	DESCRIPTION	DATE	APPROVED
B-3	A	REV. P/N 859526 WAS -1, -2, -3	7/26/77	M.G.
	B	REV. P/N 0419-120-04	10-04	CT



RECEPTACLE



PLUG

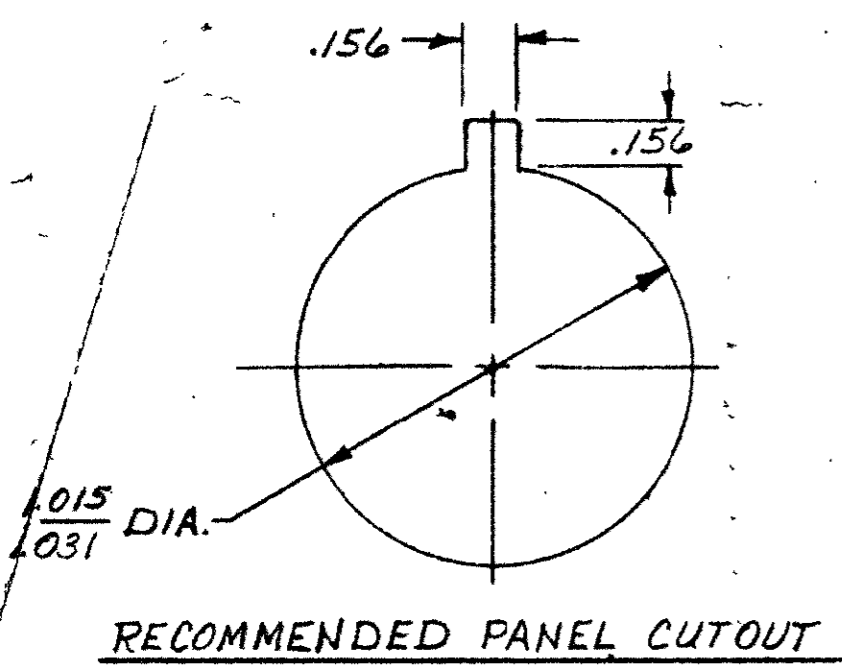


POTTING SHELL

AMP P/N	RECEPTACLE	PLUG	WIRE SIZE RANGE	HAND TOOL
863017-1	859526-4	863022-1	20, 22, 24	45099
863017-2	859526-5	863022-2	18, 16	45098
863017-3	859526-6	863022-3	14	45093

NOTE:

- 1. PINS & SOCKETS SUPPLIED SEPARATELY IN PLASTIC BAG.
- 2. TYPE II PINS & SOCKETS TO ACCEPT ONE (1) 20 AWG, (1) 22 AWG, OR (1) 24 AWG STRANDED WIRE.
- 3. TYPE II PINS & SOCKETS TO ACCEPT ONE (1) 16 AWG OR (1) 18 AWG STRANDED WIRE.
- 4. TYPE II PINS & SOCKETS TO ACCEPT ONE (1) 14 AWG STRANDED WIRE.



RECOMMENDED PANEL CUTOUT

QTY REQD	QTY REQD	ITEM NO.	DWG SIZE	PART OR IDENTIFYING NO.	NOMENCLATURE OR DESCRIPTION	SYMBOL
-2	-1				PARTS LIST	
UNLESS OTHERWISE SPECIFIED: DIMENSIONS ARE IN INCHES TOLERANCES				CONTRACT NO.		
.00 ±				DR DICK STONE 3-1-76		
.000 ±				CHK		
MATERIAL:				AMP INCORPORATED		
MOLDED PLASTIC				CAPITRON DIVISION		
FINISH:				ELIZABETHTOWN, PENNSYLVANIA		
BLACK				NAME		
				4 PIN PLUG & RECEPTACLE KIT		
NEXT ASSY				SIZE		
FINAL ASSY				CODE IDENT NO.		
NEXT ASSY				NUMBER		
USED ON				C 00779 863017		
QTY REQD				SCALE 2-1		
APPLICATION				SHEET 10 OF 10		

X-ON Electronics

Largest Supplier of Electrical and Electronic Components

Click to view similar products for [Heavy Duty Power Connectors](#) category:

Click to view products by [TE Connectivity](#) manufacturer:

Other Similar products are found below :

[1424439](#) [1424438](#) [09330062652](#) [2-8675P1](#) [605601-1](#) [6340G1](#) [6341G1](#) [6360G1](#) [6373G1](#) [6374g2](#) [6396G1](#) [647757-1](#) [66394-4](#) [6643411-1](#)
[6646058-2](#) [6646137-1](#) [6646138-1](#) [6646348-1](#) [6646479-1](#) [6646608-1](#) [6646786-1](#) [6646940-1](#) [6651091-1](#) [6651525-1](#) [6651529-1](#) [6651778-1](#)
[6651788-1](#) [696465-1](#) [696475-1](#) [73000005059](#) [73000005349](#) [73000005642](#) [73080255059](#) [73080965046](#) [765-15-0080A](#) [765-16-0080B](#)
[789.700-44](#) [789.700-54](#) [80-1010](#) [80-9](#) [827381-1](#) [829992-1](#) [902-77-02113](#) [PL00U-301-10D10](#) [PM103MOOLOO](#) [PM16S1620S32-50](#)
[PM212MOOLOO](#) [PM309FOOLOO](#) [PM324FOOLCH](#) [PMHPAF11S03](#)