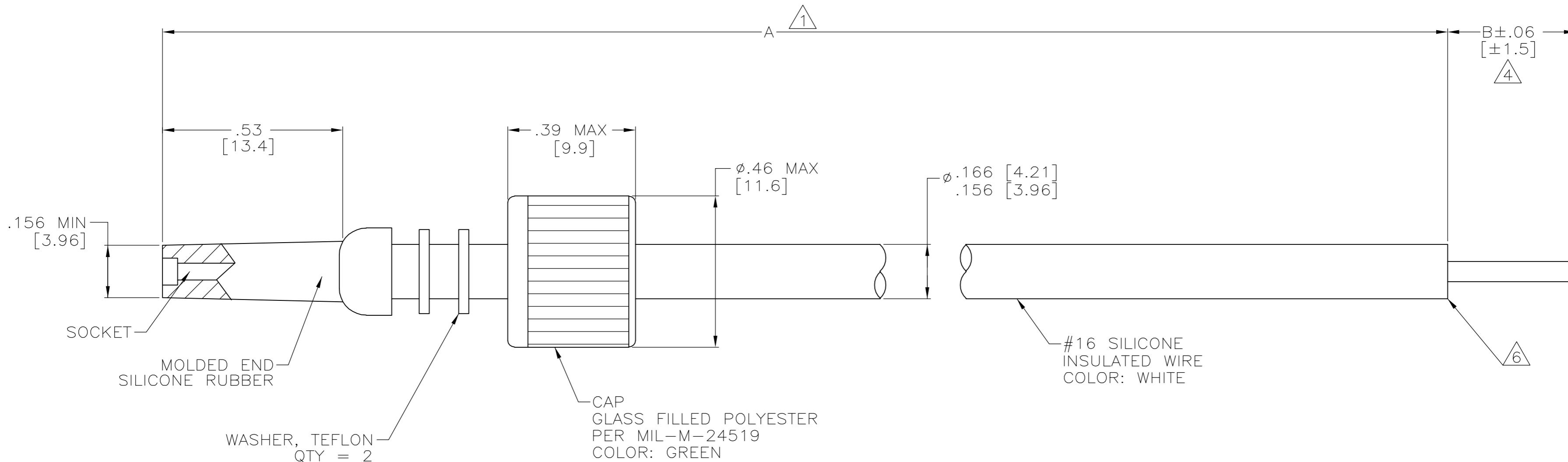


THIS DRAWING IS UNPUBLISHED. RELEASED FOR PUBLICATION - .N/A .
 © COPYRIGHT N/A BY TYCO ELECTRONICS CORPORATION. ALL RIGHTS RESERVED.

LOC	DIST	REVISIONS					
DF	SO	P	LTR	DESCRIPTION	DATE	DWN	APVD
		J		REV PER ECO-05-002828	08-05	AA	DE

PART NO.	A $\triangle 1$	B	CUSTOMER P/N INK STAMPED	REMARKS
867961-1	8.00 [203.2]	.25 [6.3]	301-0002-170	$\triangle 4$
867961-2	6.00 [152.4]	.25 [6.3]	301-0002-200	$\triangle 4$
867961-3	14.00 [355.6]	.38 [9.7]	301-0002-240	$\triangle 4$
867961-4	5.00 [127.0]	.25 [6.3]	301-0002-300	$\triangle 4$ OBSOLETE
5-867961-2	6.00 [152.4]	.25 [6.3]	-	$\triangle 6$

- $\triangle 1$ TOLERANCE OF LEAD LENGTH:
UP TO 24 INCHES [609.6] = ± 1.2 [± 3.0]
24 INCHES [609.6] & UP = $\pm 1\%$
- 2. MARKED PER MIL-STD-130.
- 3. TO MATE WITH AMP LGH-1/2
RECEPTACLE WITH .53 [13.4] BARREL DEPTH.
- $\triangle 4$ WHERE APPLICABLE "B" STRIP LENGTH IS SOLDER DIPPED.
- 5. OPERATING VOLTAGE: 10 KVDC AT 0 TO 70,000 FEET,
-55°C TO 125°C.
- $\triangle 6$ INSULATION CUT, BUT NOT REMOVED.



THIS DRAWING IS A CONTROLLED DOCUMENT.		DWN C.C.THOMAS 13-DEC-89	tyco Tyco Electronics Corporation Harrisburg, Pa 17105-3608	
DIMENSIONS: INCHES [mm]		CHK D.EABY 27-FEB-90	NAME D.EABY	
TOLERANCES UNLESS OTHERWISE SPECIFIED:		APVD D.EABY 27-FEB-90	PRODUCT SPEC	
0 PLC \pm -		APPLICATION SPEC		
1 PLC \pm -		WEIGHT -		
2 PLC $\pm .02$ [0.5]		SCALE 4:1 SHEET 1 OF 1 REV J		
3 PLC \pm -		CUSTOMER DRAWING		
4 PLC \pm -		SIZE A2 CAGE CODE 00779 C=867961		
ANGLES \pm -		RESTRICTED TO -		
FINISH -		DRAWING NO. 867961		

X-ON Electronics

Largest Supplier of Electrical and Electronic Components

Click to view similar products for [DC Power Cords](#) category:

Click to view products by [TE Connectivity](#) manufacturer:

Other Similar products are found below :

[H-IN-1](#) [H-IN-12](#) [1300000052](#) [H-OU-32](#) [H-OU-34](#) [H-OU-7](#) [H-OU-8](#) [H-OU-9](#) [H-PA-7](#) [H-RC-2](#) [H-SN-16](#) [H-SN-21](#) [172-4000](#) [172-4101](#)
[172-7443-E](#) [2J-1865A](#) [H-IN-13](#) [H-IN-14](#) [H-IN-4](#) [H-IN-8](#) [426055400-3](#) [MN47A4BC01M010](#) [H-OU-11](#) [H-OU-12](#) [H-OU-13](#) [H-OU-14](#) [H-](#)
[OU-19](#) [H-OU-2](#) [H-OU-23](#) [H-OU-24](#) [H-OU-31](#) [H-PA-5](#) [H-PA-8](#) [H-RC-1](#) [H-SN-14](#) [H-SN-22](#) [32102-021500-200-RS](#) [420680840-3](#)
[426451500-3](#) [H-SN-18](#) [H-OU-21](#) [H-OU-10](#) [1-832692-4](#) [FJ-VSP 3M](#) [1300000086](#) [1300140079](#) [96CB-POWER-B-1.8M2](#) [520-092-R](#)
[426040200](#) [H-OU-28](#)