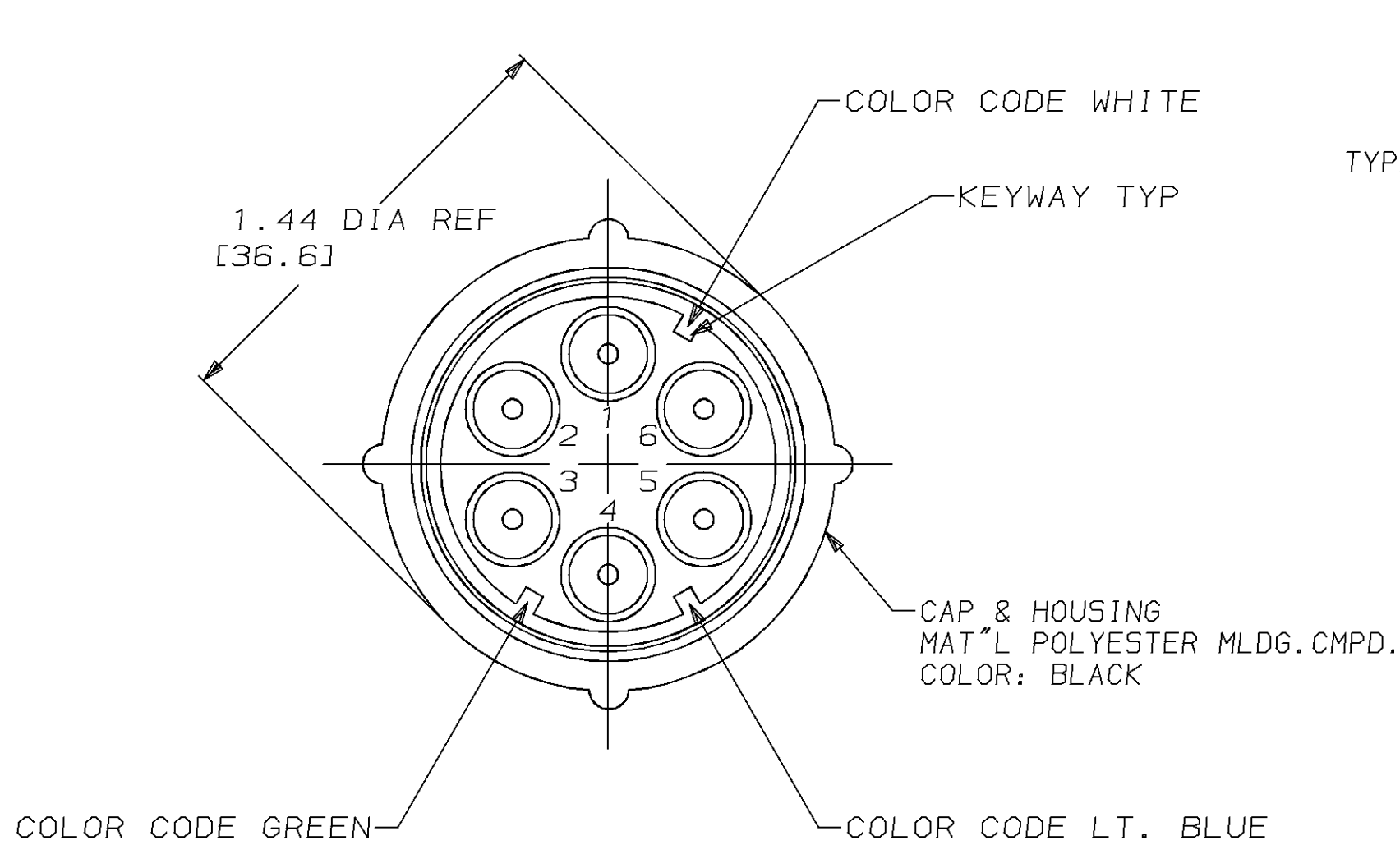
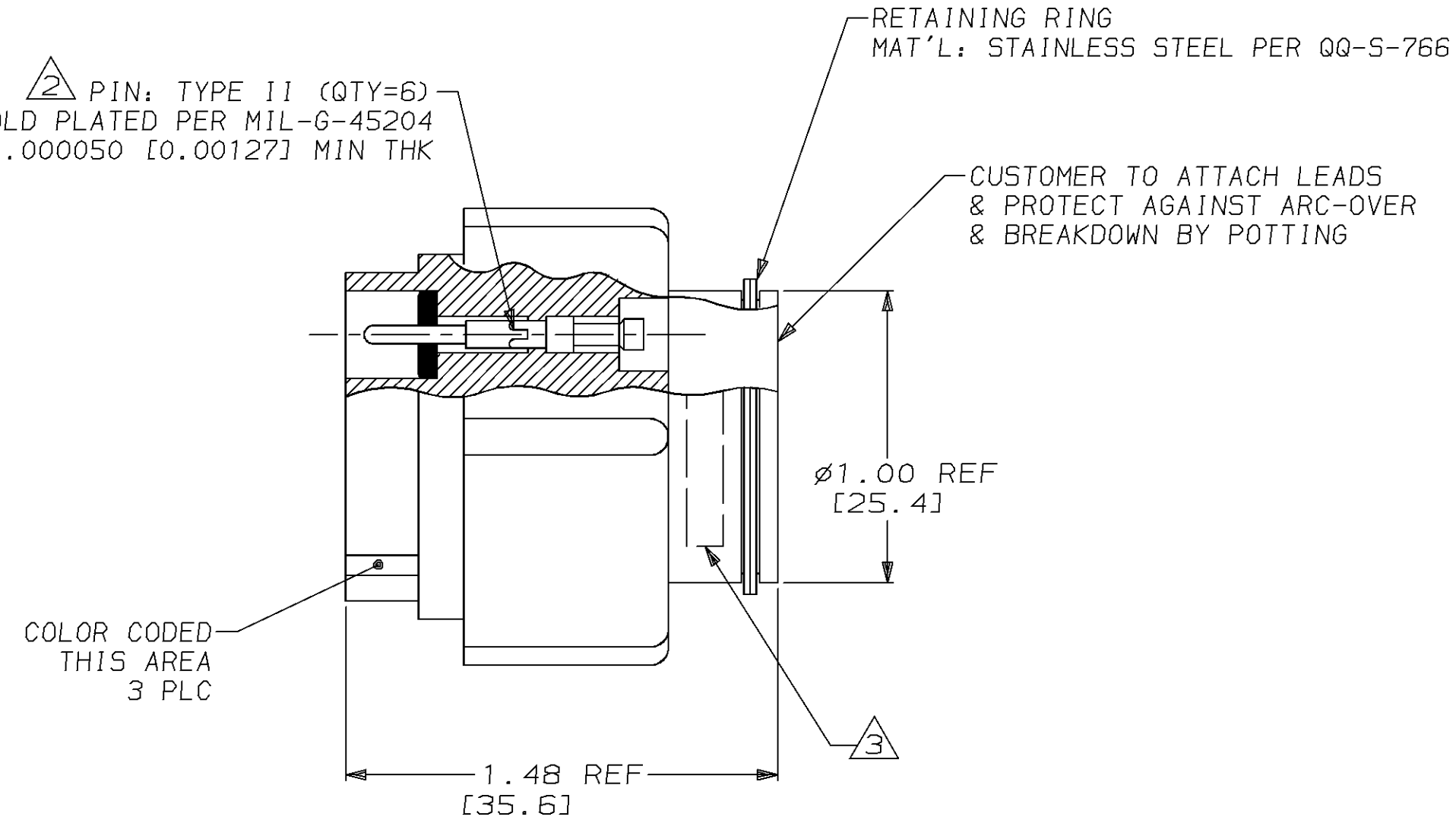


PROD CODE	LOC	DIST	P	F	ZONE	LTR	DESCRIPTION	DATE	APPD
4085	DF	50				B	REV & REDRAWN; 0600-3588-95 CT	3-95	CS



△ PIN: TYPE II (QTY=6)
 GOLD PLATED PER MIL-G-45204
 TYPE II .000050 [0.00127] MIN THK



1. PLUG ASS'Y WILL WITHSTAND WITHOUT BREAKDOWN 27 KVDC PIN TO PIN & 27 KVDC PIN TO GROUND WHEN MATED WITH RECEPT.
- △ 2 TYPE II PINS TO ACCEPT (1) 20 AWG, (1) 22 AWG, OR (1) 24 AWG STRANDED WIRE. USE AMP HAND TOOL #45099.
- △ 3 MARKED PER MIL-STD-130 WITH WHITE INK (AMP INFO).
4. PLUGS AND PINS TO BE PACKAGED SEPARATELY.
5. TO REMOVE PINS USE EXTRACTION TOOL #861751-1.

	155336	YES	20, 22, 24	868384-2
SUPERSEDED BY 868384-2	A166866	YES	20, 22, 24	868384-1
	CUST P/N	COLOR CODE	RANGE WIRE SIZE	PART NO.

DO NOT SCALE PRINT. UNLESS SPECIFIED DIMENSIONS IN INCHES [mm] TOLERANCES ON : 2 PLC DEC ± - 3 PLC DEC ± - ANGLES ± -	DR 3-31-95 C.C. THOMAS CHK 3-31-95 C.SHELLY APPD 3-31-95 C.SHELLY	AMP AMP Incorporated Harrisburg, PA 17105-3608 NAME PLUG KIT, LGH, 6 POSN.		
MATERIAL SEE CALLOUT	APPD 3-31-95 C.C. THOMAS PRODUCT SPEC -			
FINISH SEE CALLOUT	APPLICATION SPEC -	SIZE C	CAGE CODE 00779	DRAWING NO C=868384
	WEIGHT -	SCALE 2:1		SHEET 1 OF 1

THIS DRAWING IS A CONTROLLED DOCUMENT FOR AMP INCORPORATED. IT IS SUBJECT TO CHANGE AND THE CONTROLLING ENGINEERING ORGANIZATION SHOULD BE CONTACTED FOR THE LATEST REVISION.

X-ON Electronics

Largest Supplier of Electrical and Electronic Components

Click to view similar products for [Standard Circular Connector](#) category:

Click to view products by [TE Connectivity](#) manufacturer:

Other Similar products are found below :

[C015](#) [10F006](#) [001](#) [1](#) [5M2530B10P](#) [600259N006](#) [600273N007](#) [600432N009](#) [6280-2PG-519](#) [6280-3PG-311](#) [6280-3SG-311](#) [6280-7SG-3DC](#)
[6280-7SG-522](#) [6282-5PG-311](#) [6282-6PG-519](#) [6282-8SG-311](#) [6283-11](#) [6283-15](#) [6290](#) [6382-2PG-311](#) [6382-2PG-3DC](#) [6382-2SG-321](#) [6382-2SG-3DC](#) [6382-4SG-516](#) [67-03E20-37P](#) [681-PMG](#) [CXS3102A14S2P](#) [CXS3102A181S](#) [CXS3106A14S6S](#) [MB12P-1](#) [MB12R-6](#) [7251-2PG-300](#) [7251-2SG-300](#) [7251-4PG-300](#) [7251-4SG-300](#) [7251-5PG-300](#) [7251-5SG-300](#) [7251-6SG-300](#) [7251-7PG-300](#) [7251-8PG-300](#) [7271-6SG-300](#) [7282-3PG-300-CH3](#) [73000005663](#) [75-190216-08S](#) [75-190218-10P](#) [75-474118-10P](#) [75-474618-01S](#) [75-474620-07P](#) [799539-000](#) [MI8-SE](#) [80-190222-18P](#) [805-005-07NF11-19PC](#) [805-005-07NF15-7PA](#)