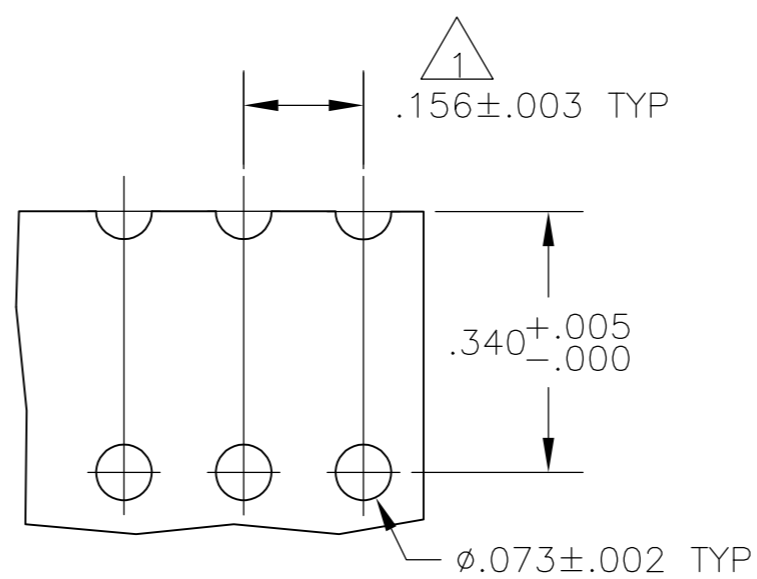
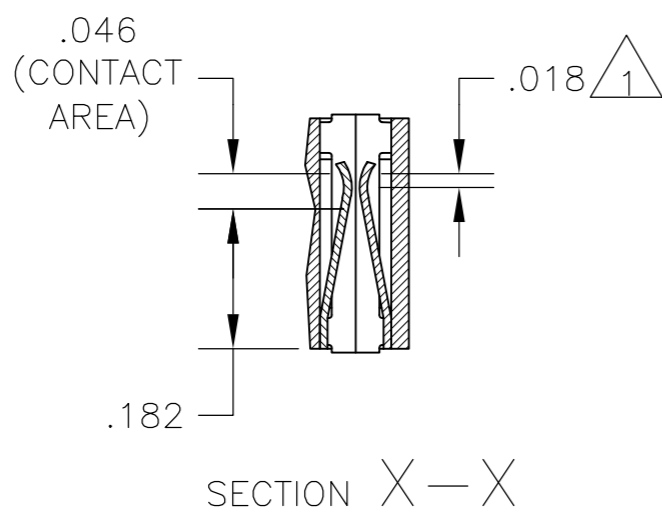
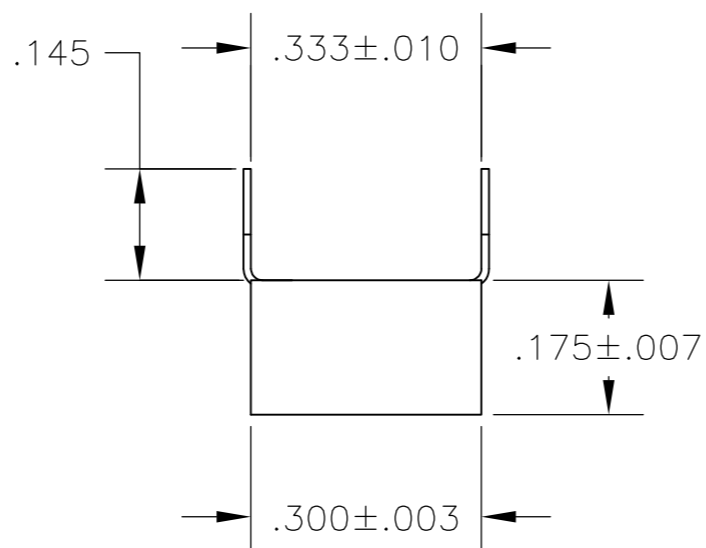
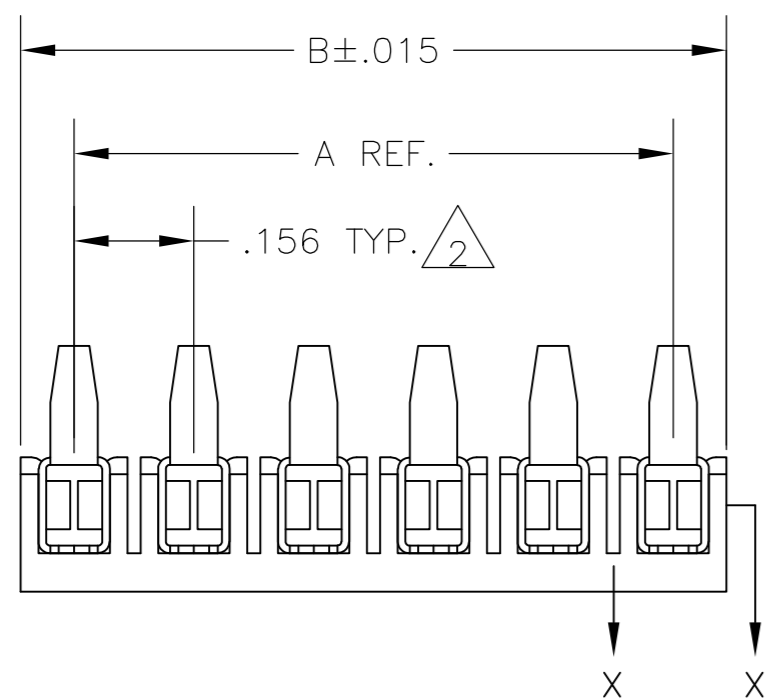
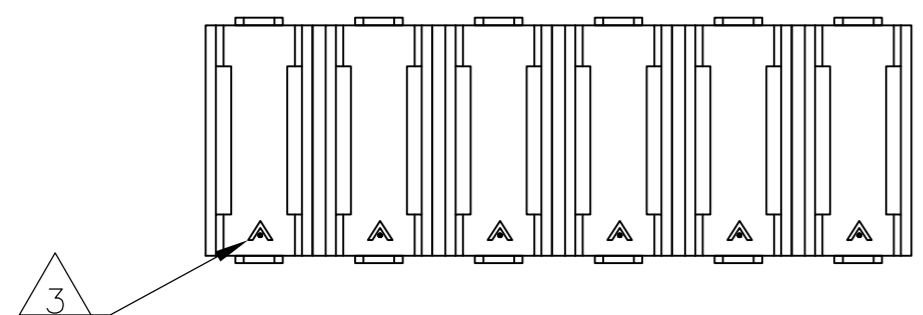


THIS DRAWING IS UNPUBLISHED. RELEASED FOR PUBLICATION  
 © COPYRIGHT BY TYCO ELECTRONICS CORPORATION. ALL RIGHTS RESERVED.

LOC		DIST		REVISIONS			
P	LTR	DESCRIPTION		DATE	DWN	APVD	
AD	OO	K1		REVISED ECO-09-024927	06NOV09	KK	AEG



- 1 POINT OF MEASUREMENT FOR PLATING THICKNESS (INSIDE OF BEAMS).
- 2 TOLERANCE NON-CUMULATIVE.
- 3 THE MATING END OF THE CONTACT IS IDENTIFIED BY THE LETTER "A" STAMPED ON THE RECEPTACLE BOX.
- 4 OBSOLETE PARTS: OBSOLETE CIS STREAMLINING PER D.RENAUD/D.SINISI



	B	A	NO OF POSN	ASSEMBLY PART NUMBER
4 OBSOLETE	3.120	2.964	20	-2-87988-0
	2.964	2.808	19	1-87988-9
4 OBSOLETE	2.808	2.652	18	-1-87988-8
	2.652	2.496	17	1-87988-7
OBSOLETE 4	2.496	2.340	16	-1-87988-6
	2.340	2.184	15	-1-87988-5
	2.184	2.028	14	-1-87988-4
	2.028	1.872	13	-1-87988-3
	1.872	1.716	12	-1-87988-2
	1.716	1.560	11	-1-87988-1
OBSOLETE 4	1.560	1.404	10	1-87988-0
	1.404	1.248	9	-87988-9-
OBSOLETE 4	1.248	1.092	8	-87988-8-
	1.092	.936	7	87988-7
	.936	.780	6	87988-6
	.780	.624	5	87988-5
	.624	.468	4	87988-4
	.468	.312	3	87988-3
	.312	.156	2	-87988-2-
	4 OBSOLETE			

THIS DRAWING IS A CONTROLLED DOCUMENT.		DWN L A MAYER 17MAR86	Tyco Electronics Corporation Harrisburg, Pa 17105-3608	
DIMENSIONS: INCHES		CHK P deJONG 17MAR86	ASSY, MOD I, BOARD MOUNT RECP, .156 CL, STD PRESSURE, TYPE C, FOR ROUND HOLE MOUNTING	
TOLERANCES UNLESS OTHERWISE SPECIFIED:		APVD P deJONG 17MAR86	SIZE A2	CAGE CODE 00779
0 PLC ± -		PRODUCT SPEC 108-25,016	DRAWING NO C=87988	RESTRICTED TO -
1 PLC ± -		APPLICATION SPEC 108-25,016	SCALE 4:1	SHEET 1 OF 1
2 PLC ± -		MATERIAL RBH0451N1000030	CUSTOMER DRAWING	
3 PLC ± .005		FINISH .000030 GOLD TO CONTACT AREA, GOLD FLASH ON THE REMAINDER, ALL OVER .000050 NICKEL	REV K1	
4 PLC ± -		CONTACTS- PHOS BRONZE		
ANGLES ± -				

## X-ON Electronics

Largest Supplier of Electrical and Electronic Components

*Click to view similar products for [Headers & Wire Housings](#) category:*

*Click to view products by [TE Connectivity](#) manufacturer:*

Other Similar products are found below :

[95000-104TRLF](#) [10135584-644402LF](#) [DF62W-EP2022PCA](#) [95000-106TRLF](#) [DF62W-2022SCA](#) [DF62W-EP2022PC](#) [2203348](#) [DF62W-2022SC](#) [1084018](#) [1029039](#) [1084017](#) [802-10-012-10-002000](#) [1112640](#) [1112639](#) [000-34000](#) [0009482033](#) [0009507031](#) [57102-S06-03LF](#) [57202-S52-04LF](#) [PCN6-15S-2.5E](#) [0039019024](#) [58102-G61-06LF](#) [582553-1](#) [0009485154](#) [0009508121](#) [0022285053](#) [0050291907](#) [018731A](#) [LY20-4P-DT1-P1E-BR](#) [02.125.8002.8](#) [60101931](#) [60598-1 \(Cut Strip\)](#) [M1625-3R/100](#) [61062-3](#) [61082-181009](#) [636-1427](#) [638009-1](#) [641938-9](#) [641991-4](#) [644168-1](#) [647662-1](#) [65039-019ELF](#) [65817-002LF](#) [65817-015LF](#) [65863-015LF](#) [66207-023LF](#) [67016-026LF](#) [67046-001LF](#) [67095-007LF](#) [67230-005LF](#)