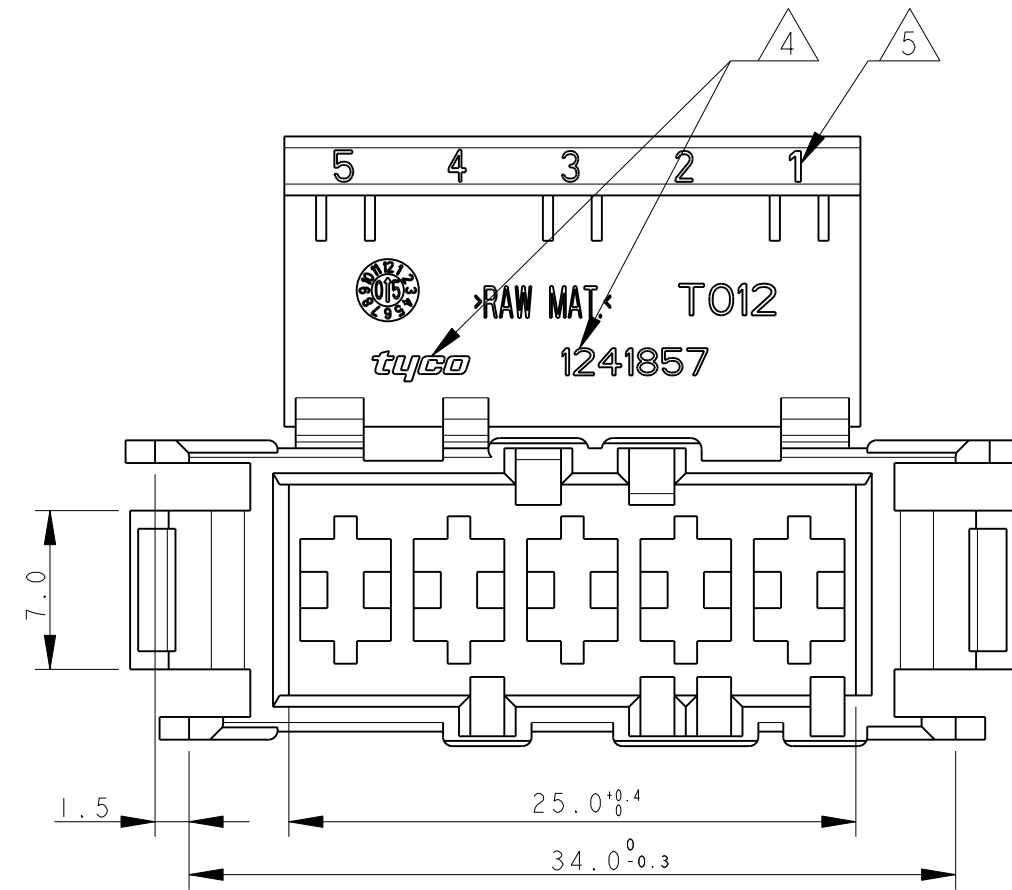
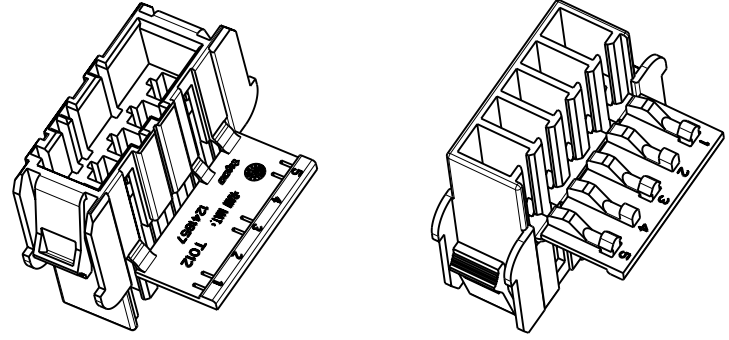
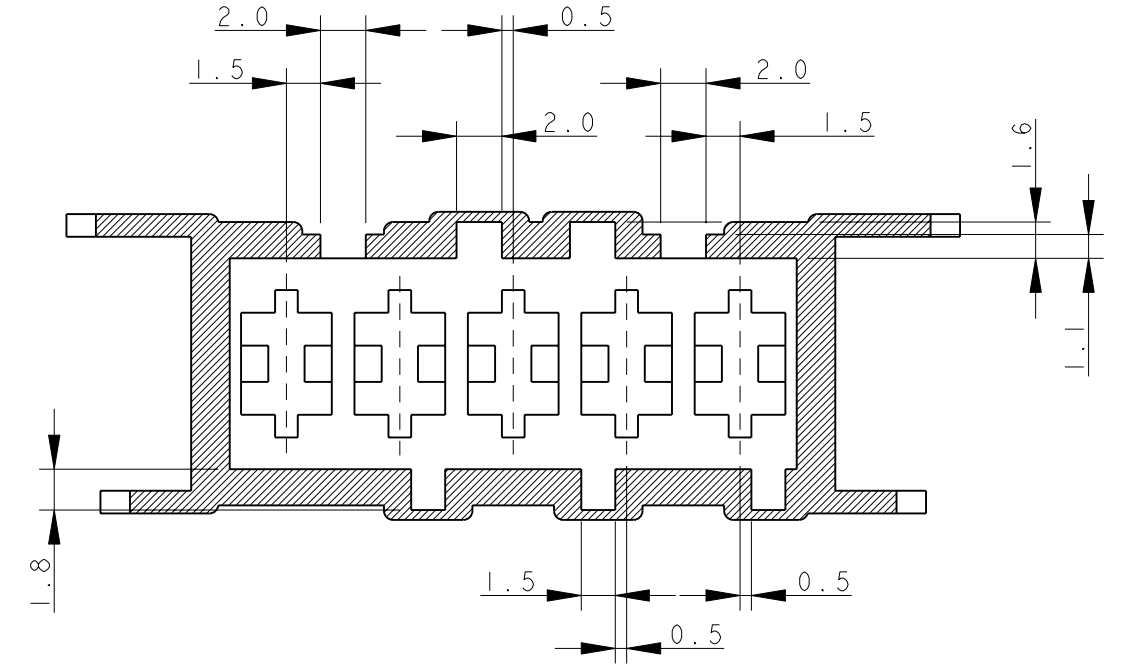


REVISIONS					
P	LTR	DESCRIPTION	DATE	DWN	APVD
C		CHANGED SEC. LOCK, ECR-07-007751	27APR2007	HY	GT
D		POL. SCHEME AND LOGO, ECR-08-018175	27MAY2008	HY	GT
D1		UPDATED	13MAY2009	HY	GT
D2		PROD. SPEC INFO ADDED	01OCT2010	PKS	MP

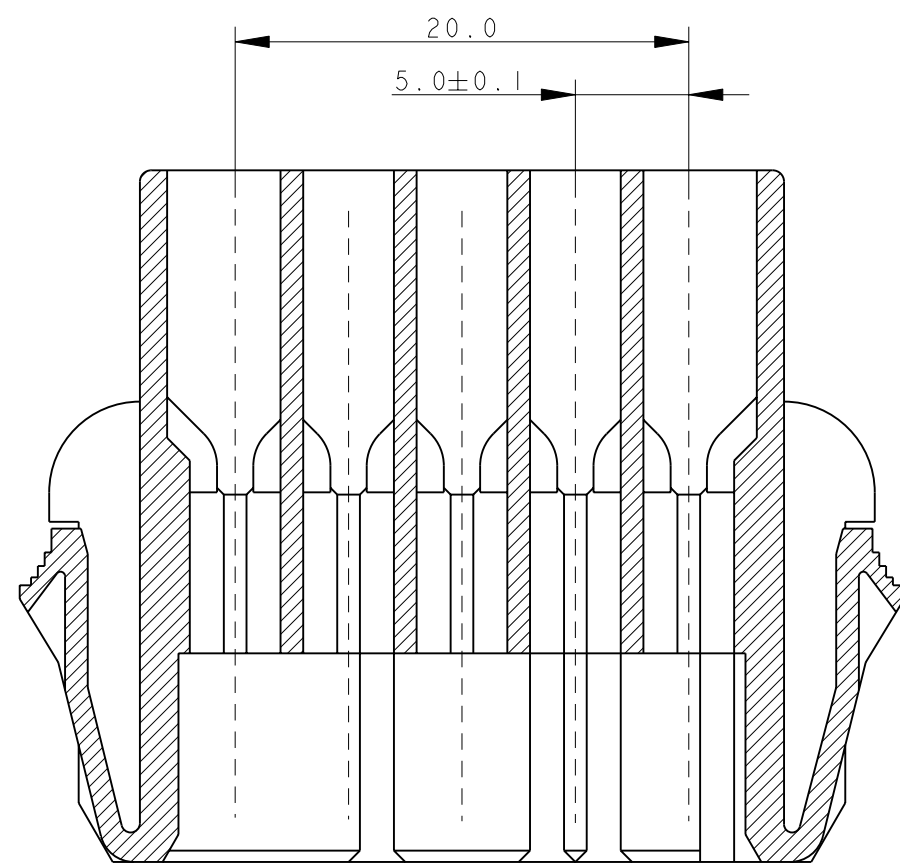
PERSPECTIVE VIEW  
FOR REF. ONLY  
SCALE 1:1



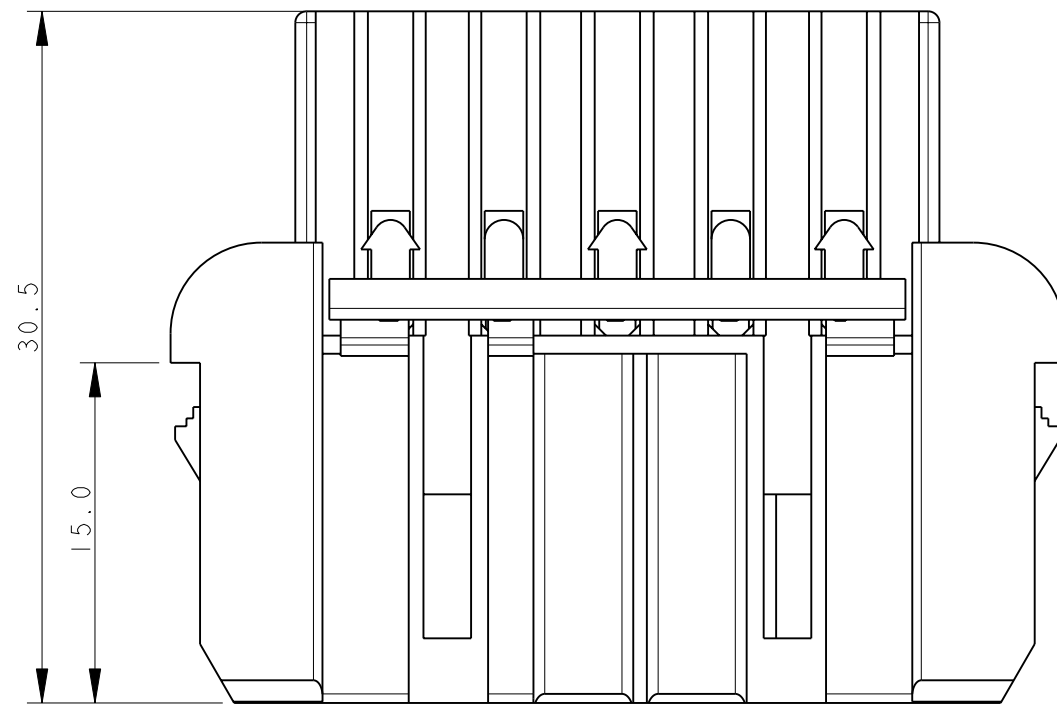
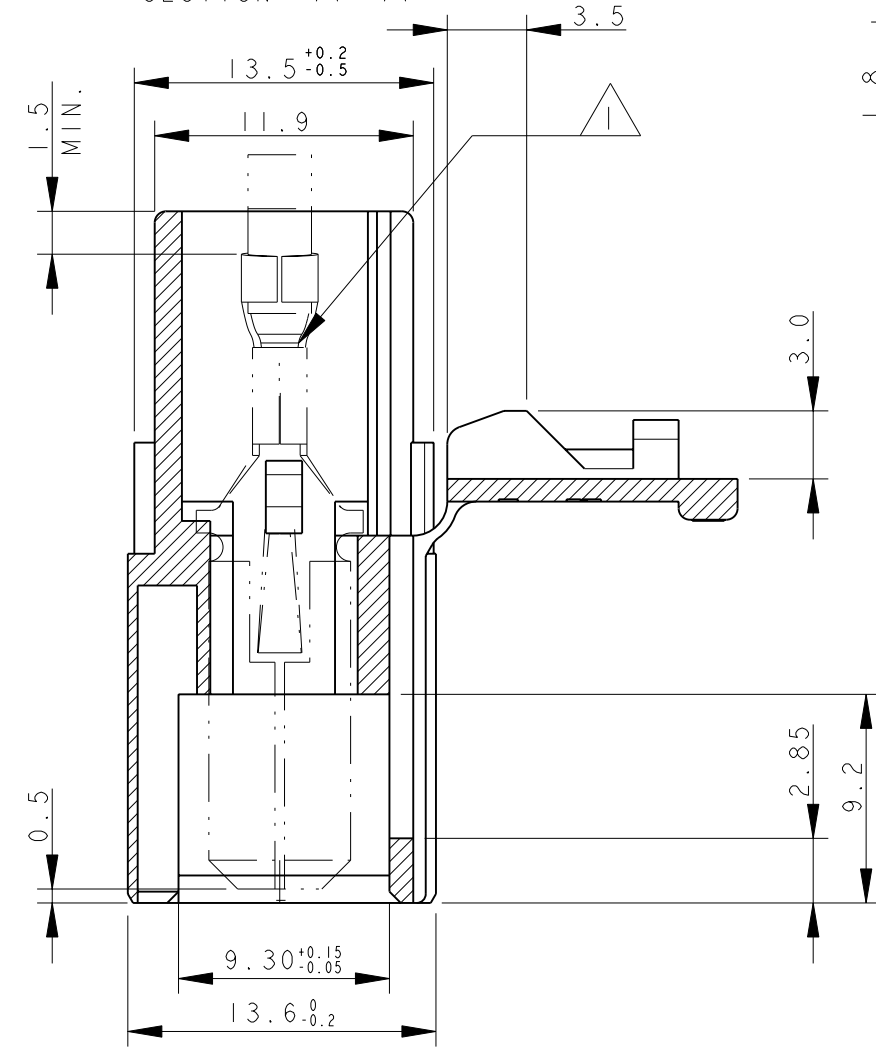
POLARIZATION KEYS SCHEME



SECTION D-D

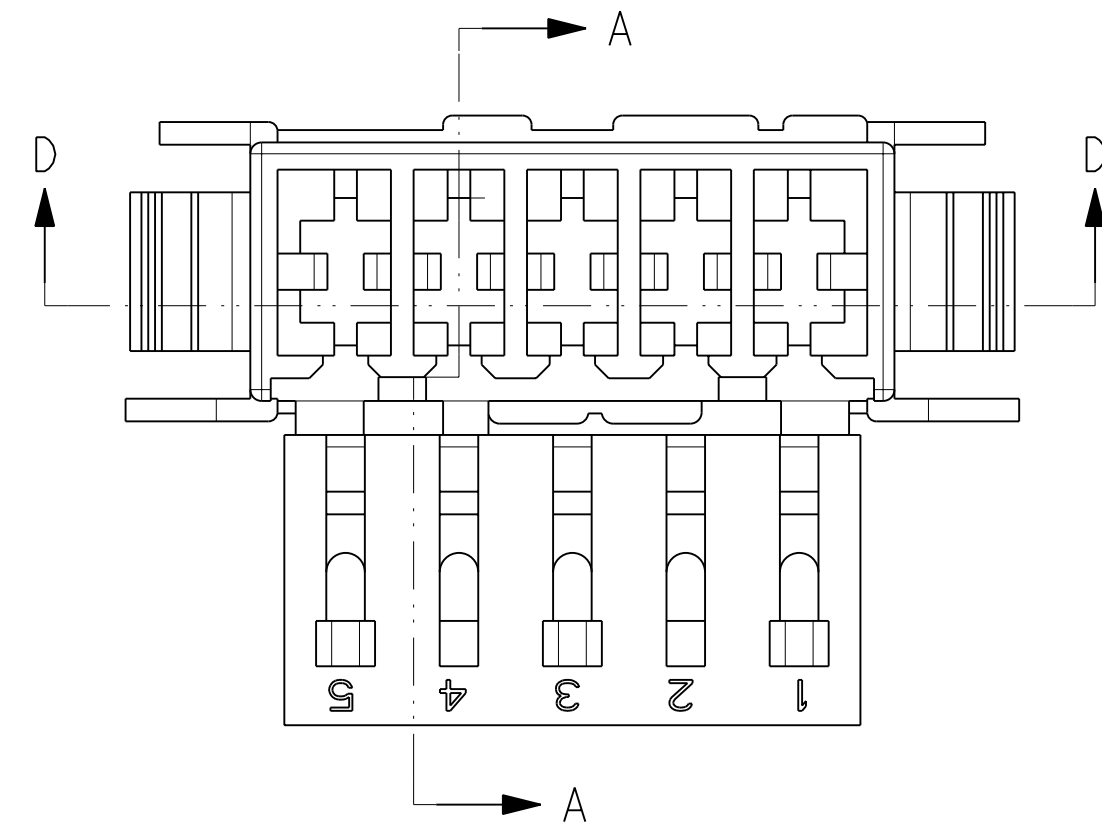
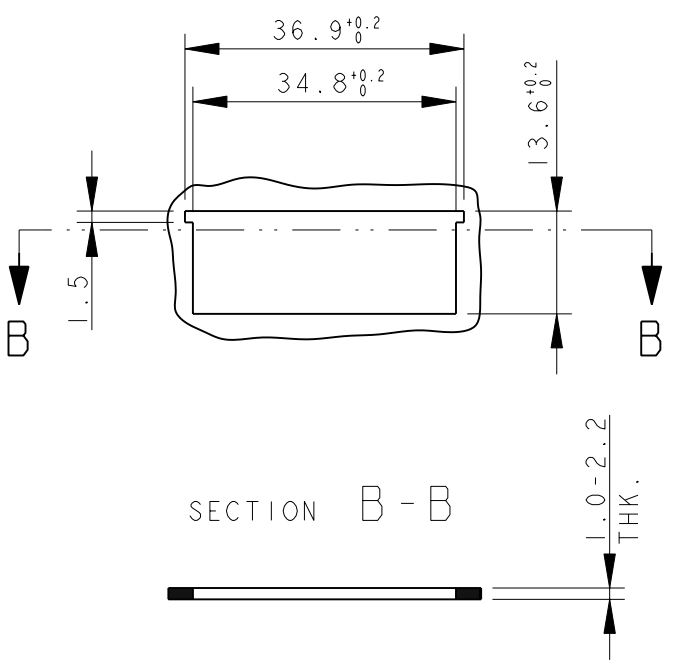


SECTION A-A



- 1 TYPICAL CAVITY SUITABLE FOR:  
FASTIN-FASTON TAB CONTACTS 6.3 mm SRS:  
P/N: 293041, 0.3-1.0 mm<sup>2</sup> WIRE RANGE  
60294, 0.3-0.8 mm<sup>2</sup> WIRE RANGE  
160691, 0.3-0.8 mm<sup>2</sup> WIRE RANGE  
AMPLIVAR CONTACTS:  
P/N: 141051, 0.1-0.5 mm<sup>2</sup> WIRE RANGE  
142411, 0.3-1.6 mm<sup>2</sup> WIRE RANGE  
MAX. INSULATION DIA. 2.8 mm,  
MAX. INSULATION CRIMP WIDTH 3.3 mm.
- 2 PA UNFILLED, UL 94-V2, NATURE COLOUR  
ACCORDING TO IEC 60335-1 NORM.
- 3 PA66 UNFILLED, UL 94-V2, NATURE COLOUR
- 4 TRADEMARK AND  
TYCO ELECTRONICS "PART NUMBER"  
OPTIONAL POSITION.
- 5 CIRCUIT IDENTIFICATION NUMBERS, 1 TO 5.
- 6 POLARIZATION KEYS DIMENSIONS AND POSITIONS  
ARE ACCORDING TO "RAST 5" NORM  
RAST CODE 05-B, 05-D.

PANEL CUT OFF DIMENSIONS  
SCALE 1:1



NOTE	COLOUR	MATERIAL	P/N	REV
	NATURAL	SEE NOTE 2	9-1241857-5	D
	NATURAL	SEE NOTE 3	0-1241857-5	D

THIS DRAWING IS A CONTROLLED DOCUMENT FOR TYCO ELECTRONICS CORPORATION IT IS SUBJECT TO CHANGE AND THE CONTROLLING ENGINEERING ORGANIZATION SHOULD BE CONTACTED FOR THE LATEST REVISION.		DWN H. YAALI 06JUN2005 CHK G. TURCO APVD -	<b>Tyco Electronics</b> Tyco Electronics AMP Italia S.R.L. C.so F.lli Cervi, 15 COLLEGGNO (TO)
DIMENSIONS: mm	TOLERANCES UNLESS OTHERWISE SPECIFIED: 0 PLC ±- 1 PLC ±0.3 2 PLC ±- 3 PLC ±- 4 PLC ±- ANGLES ±° FINISH	PRODUCT SPEC 108-20256 APPLICATION SPEC - WEIGHT - CUSTOMER DRAWING	NAME 5POS. FASTIN-FASTON TAB HOUSING RAST 5, PANEL MOUNT VERSION. SIZE A2 CAGE CODE 00779 DRAWING NO. 1241857 RESTRICTED TO - SCALE 3:1 SHEET 1 OF 1 REV D2

## X-ON Electronics

Largest Supplier of Electrical and Electronic Components

*Click to view similar products for [Headers & Wire Housings](#) category:*

*Click to view products by [TE Connectivity](#) manufacturer:*

Other Similar products are found below :

[95000-104TRLF](#) [10135584-644402LF](#) [DF62W-EP2022PCA](#) [95000-106TRLF](#) [DF62W-2022SCA](#) [DF62W-EP2022PC](#) [2203348](#) [DF62W-2022SC](#) [1084018](#) [1029039](#) [1084017](#) [802-10-012-10-002000](#) [1112640](#) [1112639](#) [000-34000](#) [0009482033](#) [0009507031](#) [57102-S06-03LF](#) [57202-S52-04LF](#) [PCN6-15S-2.5E](#) [0039019024](#) [58102-G61-06LF](#) [582553-1](#) [0009485154](#) [0009508121](#) [0022285053](#) [0050291907](#) [018731A](#) [LY20-4P-DT1-P1E-BR](#) [02.125.8002.8](#) [60101931](#) [60598-1 \(Cut Strip\)](#) [M1625-3R/100](#) [61062-3](#) [61082-181009](#) [636-1427](#) [638009-1](#) [641938-9](#) [641991-4](#) [644168-1](#) [647662-1](#) [65039-019ELF](#) [65817-002LF](#) [65817-015LF](#) [65863-015LF](#) [66207-023LF](#) [67016-026LF](#) [67046-001LF](#) [67095-007LF](#) [67230-005LF](#)