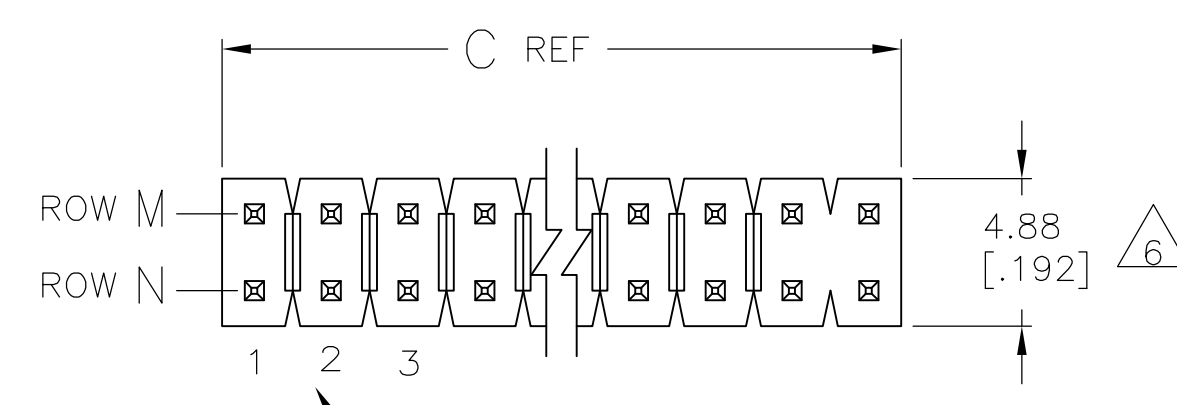
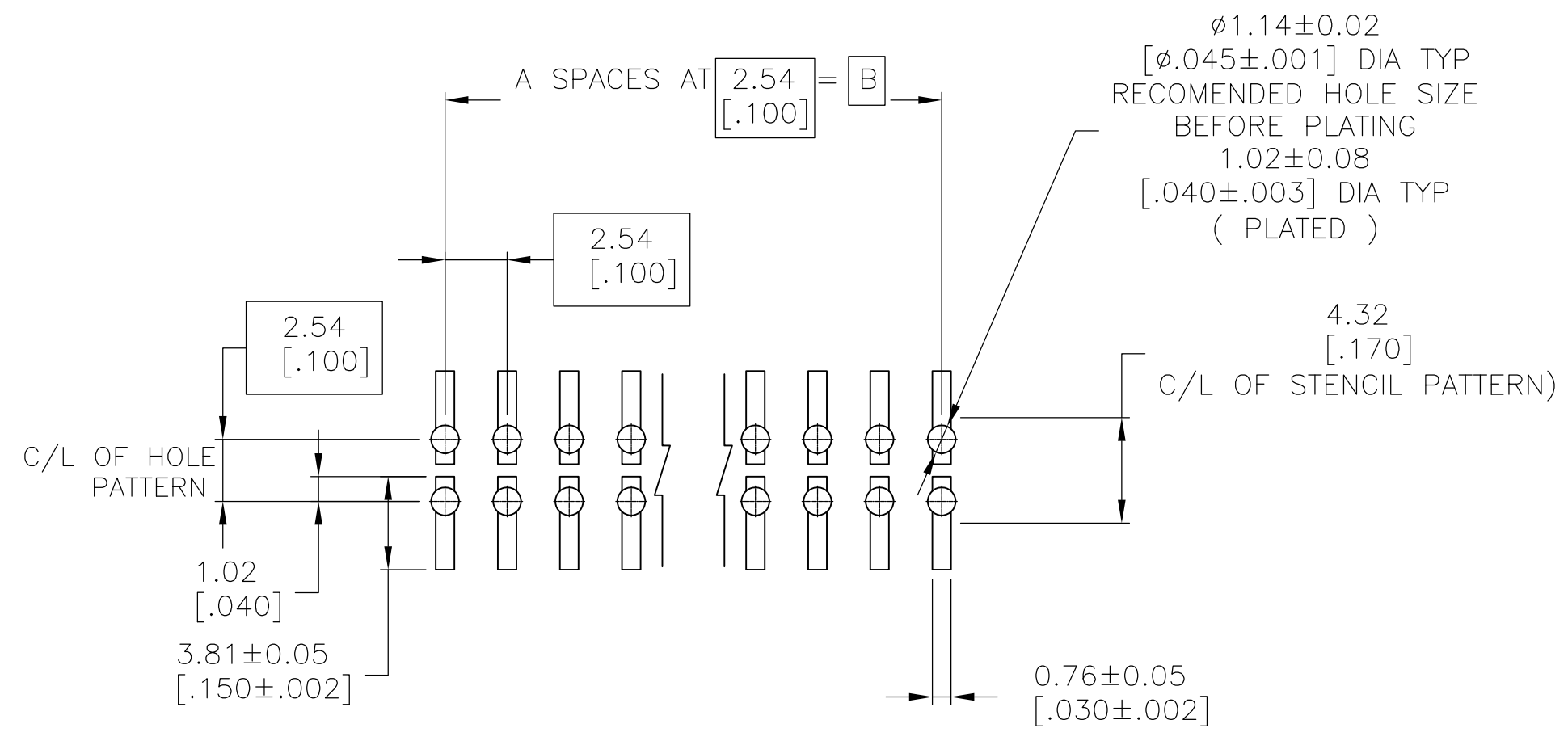
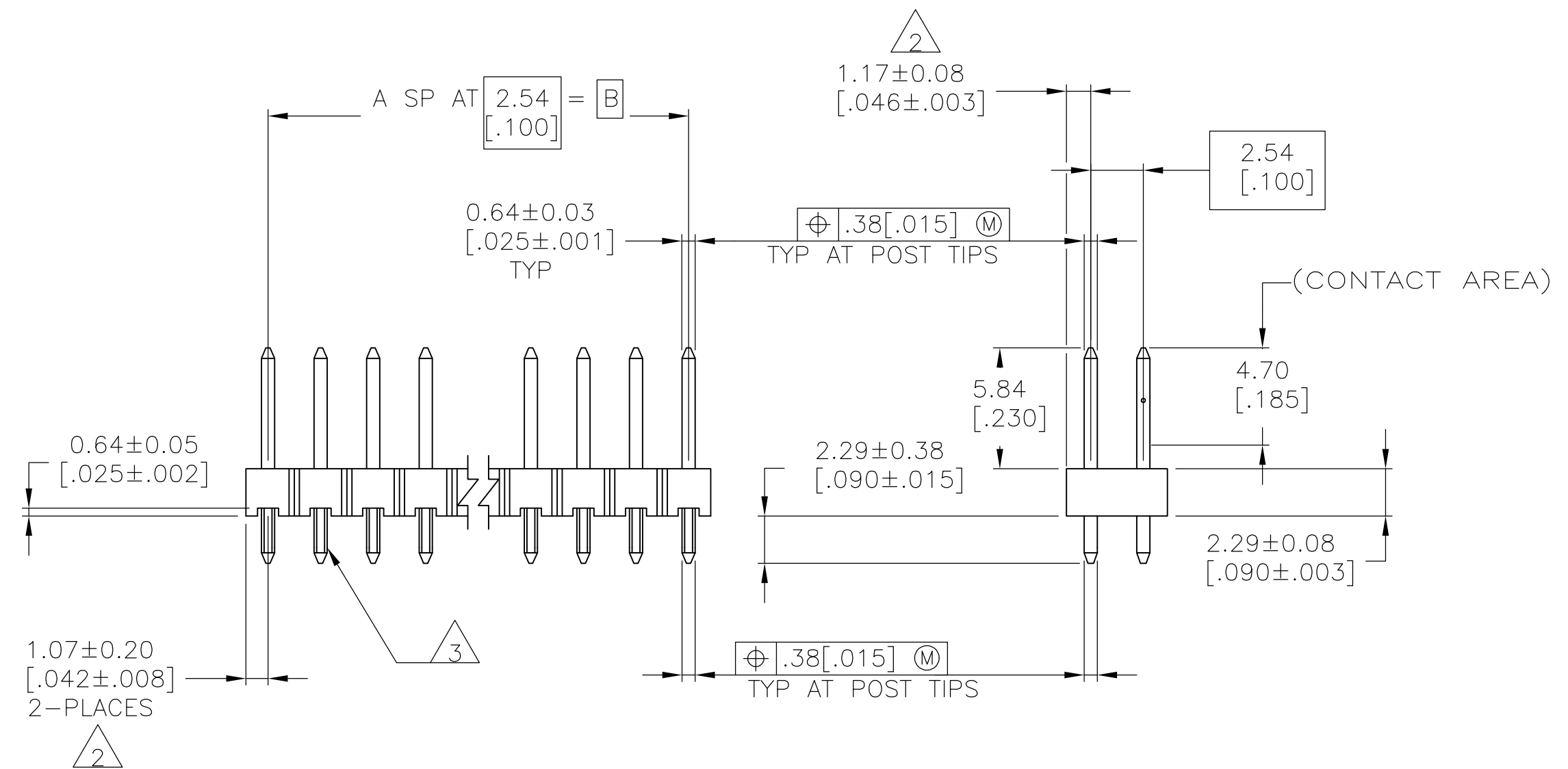


1. TRUE POSITION TOLERANCE OF THE POST TIPS APPLIES WHEN THE HEADER IS HELD FLAT AGAINST THE PRINTED CIRCUIT BOARD.
2. THE NOTED DIMENSIONS APPLY AT THE INTERSECTION OF THE POST AND HOUSING.
3. RETENTION FEATURES ON SOLDER TAILS, LOCATED AT MANUFACTURERS OPTION.
4. HOUSING: LCP, COLOR-BLACK. POST: COPPER ALLOY.
5. 0.000127 [.000005] GOLD IN CONTACT AREA, 0.00254-0.00508 [.0000100-.0000200] MATTE TIN-LEAD ON SOLDER TAIL, ALL OVER 0.00127 [.000050] NICKEL.
6. THIS DIMENSION WILL BE 4.67[.184] FOR THE 2 POSITION CONFIGURATION
7. 0.000127 [.000005] GOLD IN CONTACT AREA, 0.00254-0.00508 [.0000100-.0000200] MATTE TIN ON SOLDER TAIL, ALL OVER 0.00127 [.000050] NICKEL.
8. OBSOLETE PARTS: OBSOLETE CIS STREAMLINING PER D.RENAUD/D.SINISI



POST NO REF
(SEE TABLE)



RECOMMENDED PC BOARD MOUNTING DIMENSIONS FOR .063 [.160] THICK PC BOARD AND .012 [.305] STENCIL THICK.

PLATING	C	B	A	NO. OF POSITIONS	PART NUMBER	PLATING	C	B	A	NO. OF POSITIONS	PART NUMBER
7	101.19	99.06	39	80	9-146271-0	5	101.19	99.06	39	80	4-146271-0
7	98.65	96.52	38	78	8-146271-9	5	98.65	96.52	38	78	3-146271-9
7	96.11	93.98	37	76	8-146271-8	5	96.11	93.98	37	76	3-146271-8
7	93.57	91.44	36	74	8-146271-7	5	93.57	91.44	36	74	3-146271-7
7	91.03	88.90	35	72	8-146271-6	5	91.03	88.90	35	72	3-146271-6
7	88.49	86.36	34	70	8-146271-5	5	88.49	86.36	34	70	3-146271-5
7	85.95	83.82	33	68	8-146271-4	5	85.95	83.82	33	68	3-146271-4
7	83.41	81.28	32	66	8-146271-3	5	83.41	81.28	32	66	3-146271-3
7	80.87	78.74	31	64	8-146271-2	5	80.87	78.74	31	64	3-146271-2
7	78.33	76.20	30	62	8-146271-1	5	78.33	76.20	30	62	3-146271-1
7	75.79	73.66	29	60	8-146271-0	5	75.79	73.66	29	60	3-146271-0
7	73.25	71.12	28	58	7-146271-9	5	73.25	71.12	28	58	2-146271-9
7	70.71	68.58	27	56	7-146271-8	5	70.71	68.58	27	56	2-146271-8
7	68.17	66.04	26	54	7-146271-7	5	68.17	66.04	26	54	2-146271-7
7	65.63	63.5	25	52	7-146271-6	5	65.63	63.5	25	52	2-146271-6
7	63.09	60.96	24	50	7-146271-5	5	63.09	60.96	24	50	2-146271-5
7	60.55	58.42	23	48	7-146271-4	5	60.55	58.42	23	48	2-146271-4
7	58.01	55.88	22	46	7-146271-3	5	58.01	55.88	22	46	2-146271-3
7	55.47	53.34	21	44	7-146271-2	5	55.47	53.34	21	44	2-146271-2
7	52.93	50.80	20	42	7-146271-1	5	52.93	50.80	20	42	2-146271-1
7	50.39	48.26	19	40	7-146271-0	5	50.39	48.26	19	40	2-146271-0
7	47.85	45.72	18	38	6-146271-9	5	47.85	45.72	18	38	1-146271-9
7	45.31	43.18	17	36	6-146271-8	5	45.31	43.18	17	36	1-146271-8
7	42.77	40.64	16	34	6-146271-7	5	42.77	40.64	16	34	1-146271-7
7	40.23	38.10	15	32	6-146271-6	5	40.23	38.10	15	32	1-146271-6
7	37.69	35.56	14	30	6-146271-5	5	37.69	35.56	14	30	1-146271-5
7	35.15	33.02	13	28	6-146271-4	5	35.15	33.02	13	28	1-146271-4
7	32.61	30.48	12	26	6-146271-3	5	32.61	30.48	12	26	1-146271-3
7	30.07	27.94	11	24	6-146271-2	5	30.07	27.94	11	24	1-146271-2
7	27.53	25.40	10	22	6-146271-1	5	27.53	25.40	10	22	1-146271-1
7	24.99	22.86	9	20	6-146271-0	5	24.99	22.86	9	20	1-146271-0
7	22.45	20.32	8	18	5-146271-9	5	22.45	20.32	8	18	146271-9
7	19.91	17.78	7	16	5-146271-8	5	19.91	17.78	7	16	146271-8
7	17.37	15.24	6	14	5-146271-7	5	17.37	15.24	6	14	146271-7
7	14.83	12.70	5	12	5-146271-6	5	14.83	12.70	5	12	146271-6
7	12.29	10.16	4	10	5-146271-5	5	12.29	10.16	4	10	146271-5
7	9.75	7.62	3	8	5-146271-4	5	9.75	7.62	3	8	146271-4
7	7.21	5.08	2	6	5-146271-3	5	7.21	5.08	2	6	146271-3
7	4.67	2.54	1	4	5-146271-2	5	4.67	2.54	1	4	146271-2
7	2.13	1.00	-	2	5-146271-1	5	2.13	1.00	-	2	146271-1
7	-.092	-	-	2	5-146271-1	5	-.092	-	-	2	146271-1

OBSOLETE

THIS DRAWING IS A CONTROLLED DOCUMENT.

DIMENSIONS: mm [INCHES]	TOLERANCES UNLESS OTHERWISE SPECIFIED:	DIN T. HOFFMAN 8-5-95	STE TE Connectivity
0 PLC ± -	1 PLC ± .01	4-3-96	NAME: G. DUBNICZKI
2 PLC ± 0.51[.02]	3 PLC ± 0.12[.005]	4-3-96	PRODUCT SPEC: .100 X.100 C/L, VERTICAL, WITH RETENTION FEATURE, .025 SQ.POSTS, HIGH TEMPERATURE
4 PLC ± 0.012[.0005]	ANGLES ±	APPLICATION SPEC	SIZE: A1
MATERIAL: 4	FINISH: SEE TABLE	WEIGHT: -	DRAWING NO: 00779
		CUSTOMER DRAWING	SCALE: 4:1 SHEET 1 OF 1 REV K

X-ON Electronics

Largest Supplier of Electrical and Electronic Components

Click to view similar products for [Headers & Wire Housings](#) category:

Click to view products by [TE Connectivity](#) manufacturer:

Other Similar products are found below :

[95000-104TRLF](#) [10135584-644402LF](#) [DF62W-EP2022PCA](#) [95000-106TRLF](#) [DF62W-2022SCA](#) [DF62W-EP2022PC](#) [2203348](#) [DF62W-2022SC](#) [1084018](#) [1029039](#) [1084017](#) [802-10-012-10-002000](#) [1112640](#) [1112639](#) [000-34000](#) [0009482033](#) [0009507031](#) [57102-S06-03LF](#) [57202-S52-04LF](#) [PCN6-15S-2.5E](#) [0039019024](#) [58102-G61-06LF](#) [582553-1](#) [0009485154](#) [0009508121](#) [0022285053](#) [0050291907](#) [018731A](#) [LY20-4P-DT1-P1E-BR](#) [02.125.8002.8](#) [60101931](#) [60598-1 \(Cut Strip\)](#) [M1625-3R/100](#) [61062-3](#) [61082-181009](#) [636-1427](#) [638009-1](#) [641938-9](#) [641991-4](#) [644168-1](#) [647662-1](#) [65039-019ELF](#) [65817-002LF](#) [65817-015LF](#) [65863-015LF](#) [66207-023LF](#) [67016-026LF](#) [67046-001LF](#) [67095-007LF](#) [67230-005LF](#)