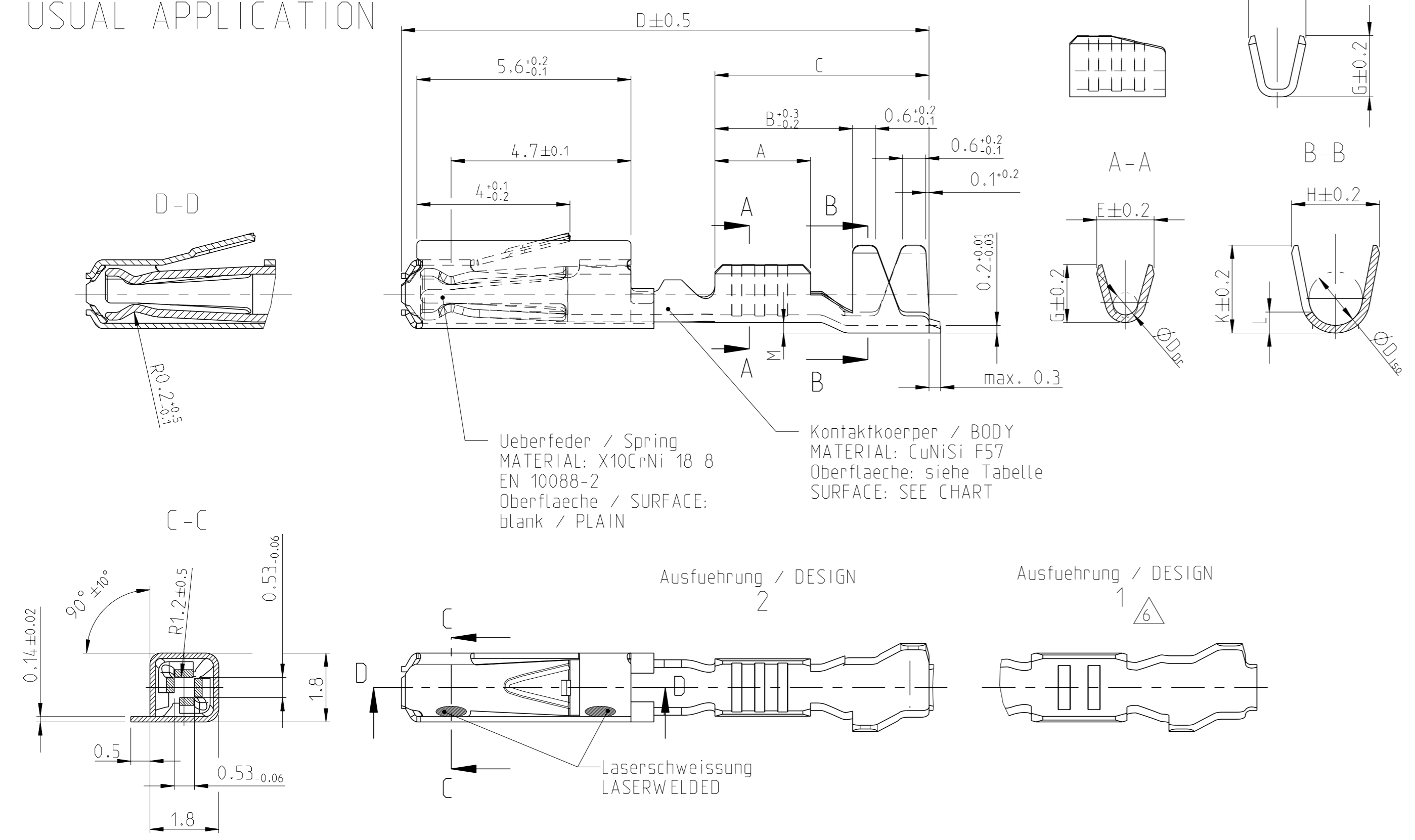
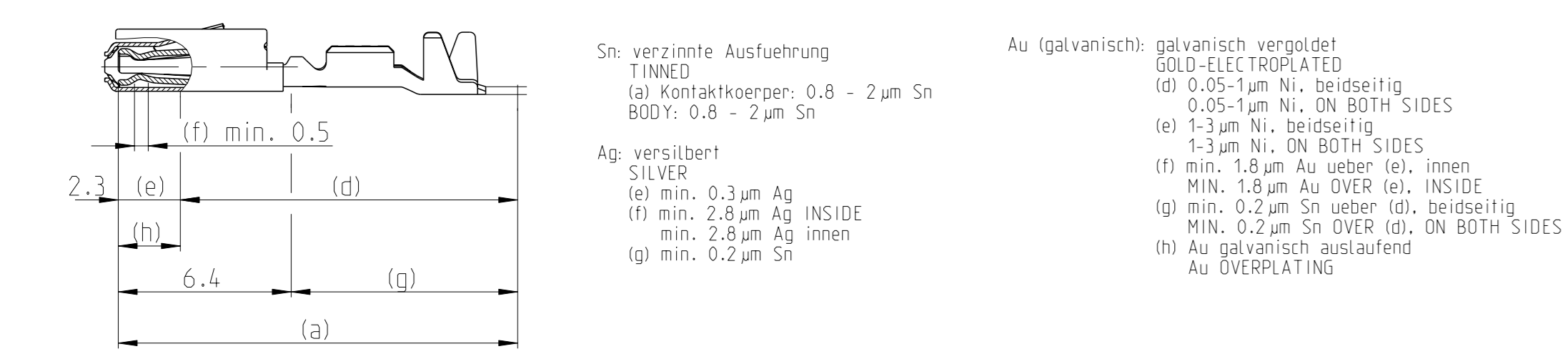


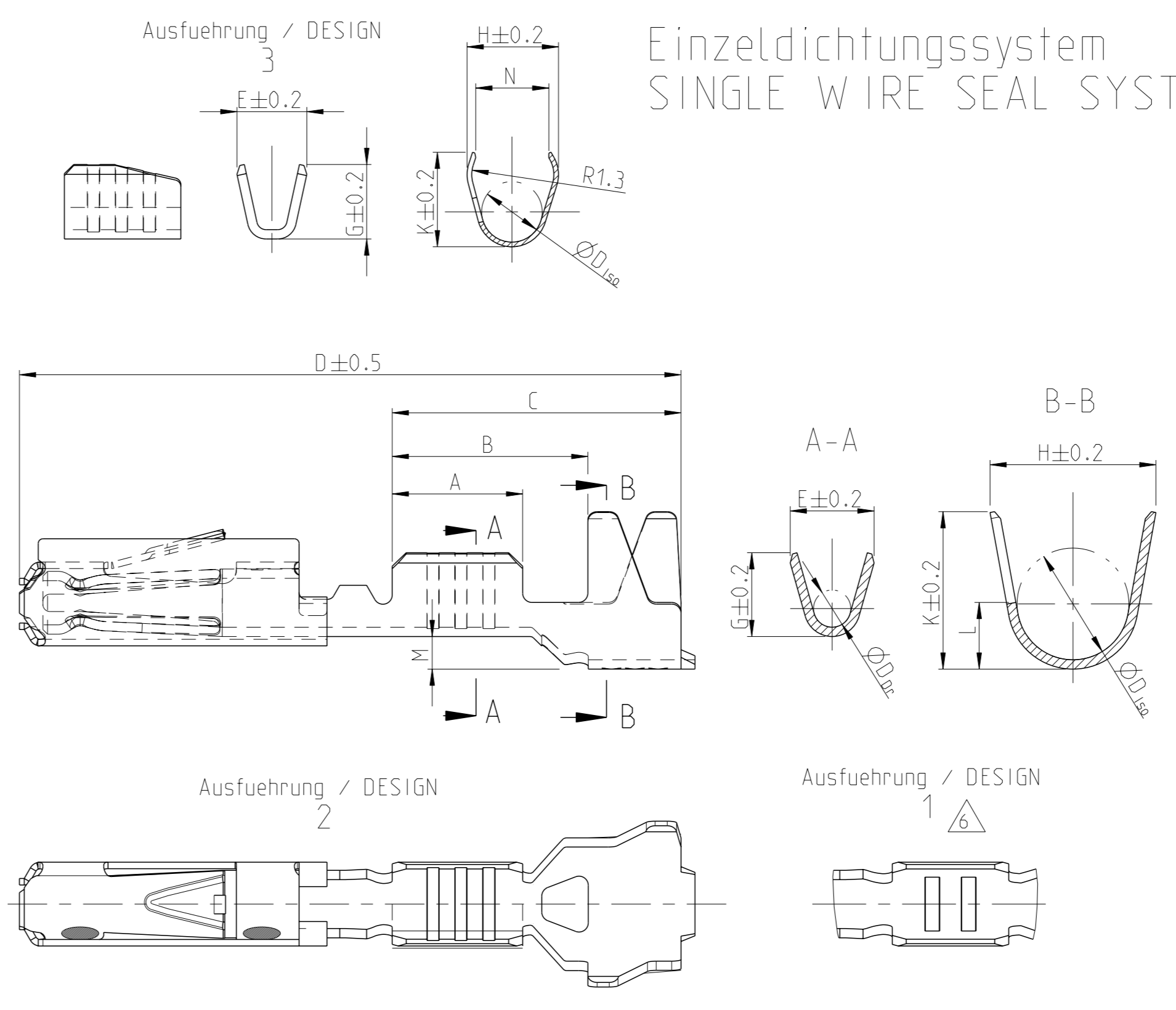
### Normale Anwendung USUAL APPLICATION



### Oberflaeche / FINISH

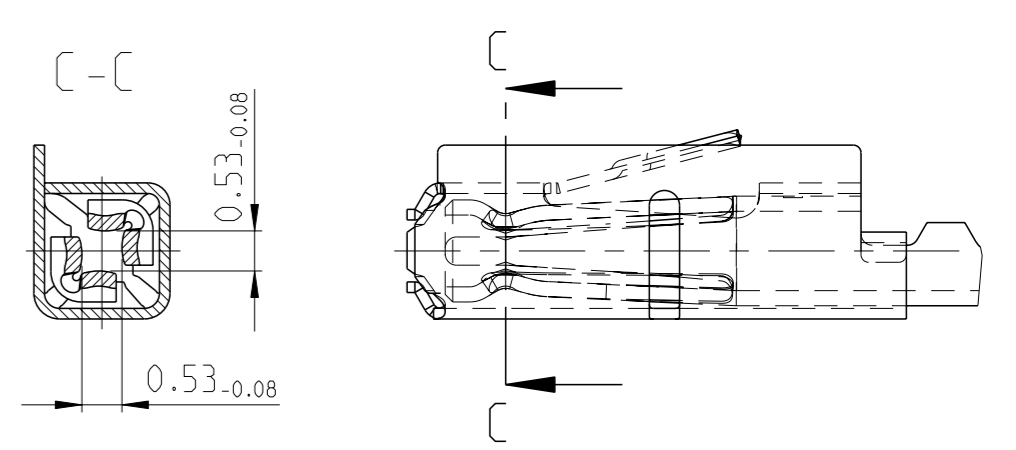


### Einzeldichtungssystem SINGLE WIRE SEAL SYSTEM

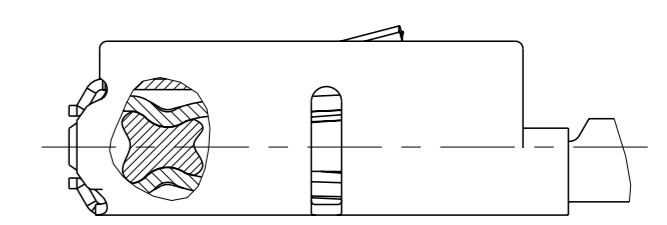


REV.	DATE	DESCRIPTION	BY	CHK
C15	31MAY2016	DIM. (h) ADDED. ECR-16-007815	Abr	BRUN
C16	04AUG2016	Stamp code faded out	MAH.	BRUN
C17	23AUG2016	Date code removed. ECR-16-012067	ABR	BRUN
C18	21NOV2017	Text for NOTE 5 removed	MAH.	BRUN

### vergoldete Ausfuehrung GOLD VERSION



### GEL VERSION



### Bemerkungen

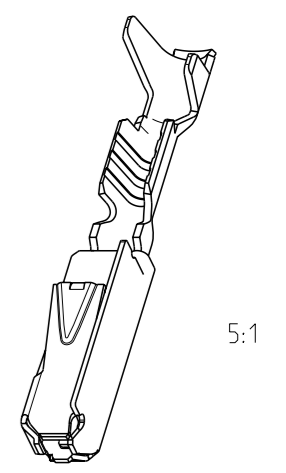
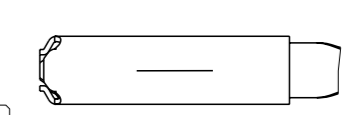
- Datumcode (Woche/Jahr z.B. KW 38/Jahr2009) und TE-Revision (z.B. Rev.A) DATE CODE (WEEK/YEAR E.G. WEEK NUMBER 38/YEAR2009) AND TE REVISION (E.G. REV. A)
- Passend zu Stiftkontakt siehe Zeichnung 929453 SUITABLE FOR PIN CONTACT SEE DRAWING 929453
- Einzelheiten der Ausfuehrung bleiben dem Hersteller ueberlassen DETAILS OF DESIGN ARE LEFT TO MANUFACTURER
- Nur fuer FLR-Leitung nach DIN 72551 Teil 6 FOR FLR-CONDUCTOR ACCORDING TO DIN 72551-6 ONLY



6 nicht fuer Neuanwendung NOT FOR NEW APPLICATION

7 zugverstaerkte Leitung nach LV 112-4 REINFORCED WIRE ACCORDING LV 112-4

8 Bei doppelt fallenden Werkzeugen wird die erste Ueberfeder mit einer Kennzeichnung "-" versehen WITH DOUBLE OUT DIES THE FIRST SPRING WILL BE PROVIDED WITH AN INDICATION "-"



Part No.	Rev.	Version	Wire Size	Surface	Length	Wire Crimp	Insulation	Weight	Material	Color	Blindstopfen			
6-965906-5	E	1-965906-5	D	Au+Gel	A = 2.8 B = 4.2 C = 6.2 D = 14.3 M = 0.7	F = 2 G = 2.1 D <sub>Dr</sub> = 1	H = 3.5 K = 3.4 L = 1.5 D <sub>ISO</sub> = 2.4	0.13	0.75	1.4-1.9	967067-1 gruen GREEN	963142-1 schwarz BLACK	114-18025	
5-965906-6	D	965906-6	C	Ag	A = 2.5 B = 3.9 C = 5.9 D = 14 M = 0.7	F = 1.8 G = 1.8 D <sub>Dr</sub> = 0.8	H = 3.5 K = 3.4 L = 1.5 D <sub>ISO</sub> = 2.4	0.13	0.35	0.9-1.4	967067-2 gelb YELLOW	963142-2 grau GREY	967056-1 blau / BLUE	967056-1 blau / BLUE
5-962885-6	J	962885-6	H	Sn	A = 2.5 B = 4.3 C = 6.2 D = 13.7 M = 0.6	F = 1.5 G = 1.4	H = 4 K = 4.1 L = 3.1 D <sub>ISO</sub> = 2.6	0.1	0.13	0.85-1.25	967067-2 gelb YELLOW	963142-2 grau GREY		
6-963715-5	K	1-963715-5	J	Au+Gel	A = 2.8 B = 3.8 C = 5.6 D = 13.7 M = 0.2	F = 2 G = 2.1 D <sub>Dr</sub> = 1	H = 2.7 K = 2.9 L = 0.7 D <sub>ISO</sub> = 1.6	0.11					114-18021	
5-928999-5	T	1-928999-5	S	Ag	A = 2.5 B = 3.6 C = 5.6 D = 13.7 M = 0.2	F = 1.8 G = 1.8 D <sub>Dr</sub> = 0.8	H = 2.3 K = 2.3 L = 0.6 D <sub>ISO</sub> = 1.4	0.11						
1355717-5	C			Au	A = 2.5 B = 3.7 C = 5.4 D = 13.7 M = 0	F = 1.5 G = 1.5 D <sub>Dr</sub> = 0.65	H = 2 K = 1.9 D <sub>ISO</sub> = 1.1	0.1						

Bestell-Nr. Ausfuehrung ORDER NO. DESIGN	Bestell-Nr. Ausfuehrung ORDER NO. DESIGN	Rev	Bestell-Nr. Ausfuehrung ORDER NO. DESIGN	Rev	VERSION	DGB Wire Size Range mm <sup>2</sup>	Oberflaeche SURFACE	Laenge LENGTH mm	Drahtcrimp WIRE CRIMP mm	Iso-crimp INSU-CRIMP mm	Gewicht WEIGHT g	Verarbeitung Spez. APPLICATION SPEC.	DGB Wire Size Range mm <sup>2</sup>	Isolations Ø INSULATION DIA. mm	fuer Kammer Ø3.45 FOR CAVITY DIA. 3.45 mm	Blindstopfen RUBBER PLUG	fuer Kammer Ø4 FOR CAVITY DIA. 4 mm	Blindstopfen RUBBER PLUG
2	3		1		normale Anwendung USUAL APPLICATION													

zugehoerige Einzeldichtung / SUITABLE SINGLE WIRE SEAL

THIS DRAWING IS A CONTROLLED DOCUMENT.

DIMENSIONS: mm	TOLERANCES UNLESS OTHERWISE SPECIFIED: ±0.2	OWN: S. Garcia 05JAN1999 CHK: R. Jetter 05JAN1999 APPV: M. Bleicher 13AUG2003	NAME: MQS Tabellenzeichnung Buchsenkontakt TABLE SOCKET CONTACT
MATERIAL: -	FINISH: -	SIZE: 114-18021 / 114-18025 CAGE CODE DRAWING NO: 108-18030 APPLICATION SPEC: 114-18021 / 114-18025	RESTRICTED TO: -
CUSTOMER DRAWING		SCALE: 10:1	SHEET 1 OF 1

4805 (3/11)

## X-ON Electronics

Largest Supplier of Electrical and Electronic Components

*Click to view similar products for [Automotive Connectors](#) category:*

*Click to view products by [TE Connectivity](#) manufacturer:*

Other Similar products are found below :

[003-018-000](#) [600858](#) [60403001](#) [60993906-B](#) [60993913-B](#) [629515004020001](#) [M902-2131](#) [M902-2161](#) [M902-2344](#) [72.330.1035.1](#)  
[73.353.4028.0](#) [F118010](#) [F119300-B](#) [F132210](#) [F132210-B](#) [F166900](#) [F180100](#) [F258300](#) [F258300-B](#) [F294300-B](#) [F339100](#) [F339700](#) [F358300-](#)  
[B](#) [F374110](#) [F407400](#) [F412210](#) [F427600](#) [F444110](#) [F487000](#) [F495100-B](#) [F500900-B](#) [F509500B-B](#) [770444-1](#) [776880-1](#) [827153-1](#) [881735-1](#)  
[8N1515-32-24P](#) [9-1326727-8](#) [9-1326729-8](#) [925467-1](#) [925474-1](#) [928905-1](#) [936398-2](#) [964562-1](#) [964562-4](#) [964731-2](#) [965051-1](#) [968782-1](#)  
[GT17SA-8DS-HU](#) [GT17VS-10DP-5.2CF](#)