

NOTES:

1. METRIC DIMS SHOWN IN ().
2. MOUNTING HARDWARE TO BE SHIPPED UNASSEMBLED.

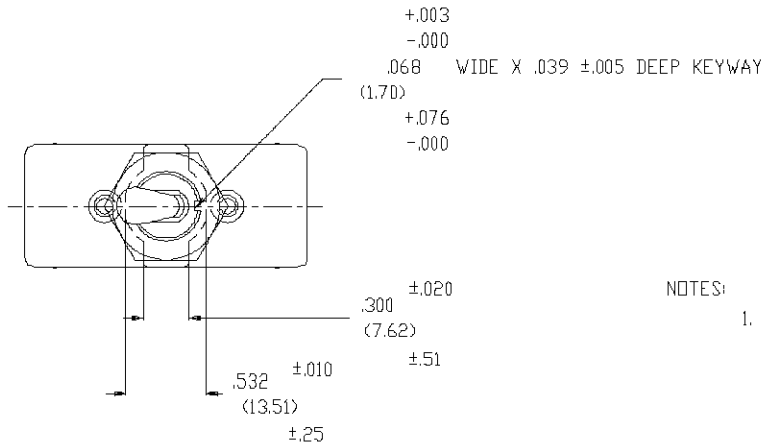
THIS DOCUMENT IS THE PROPERTY OF EATON CORP. IT'S CONTENTS ARE PROPRIETARY AND CONFIDENTIAL AND SHALL NOT BE DISCLOSED TO ANY UNAUTHORIZED PERSON, COPIED OR PUBLISHED WITHOUT EATON'S PRIOR WRITTEN CONSENT.



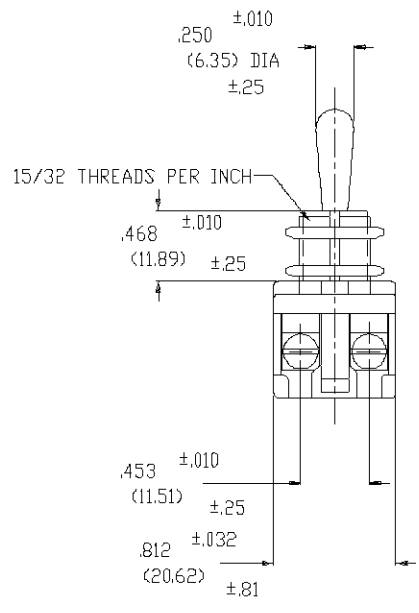
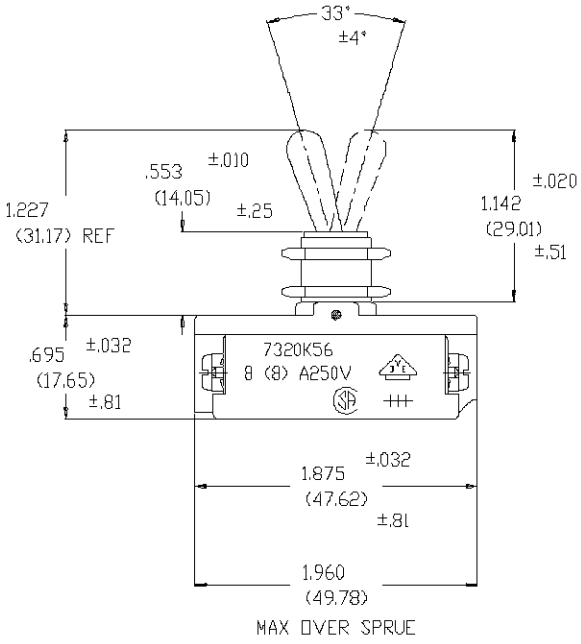
TITLE		DIMS FOR DOUBLE INSULATED TOOL HANDLE SWITCH FOR EUROPEAN USE			
ORDER NO.		BASIC SPECS. SUMMARY			
702A575014					
A2	REDRAWN ON CAD. REMOVED BOTTOM VIEW.	TC	DR.	APP.	
	ECN01229603	93719990	1/22/96	1/8/76	RICHARD SAWS
	ECN			1/14/76	ECN01229603
	ECN				



90-6358

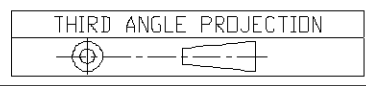


NOTES:
1. MOUNTING HARDWARE TO BE SHIPPED

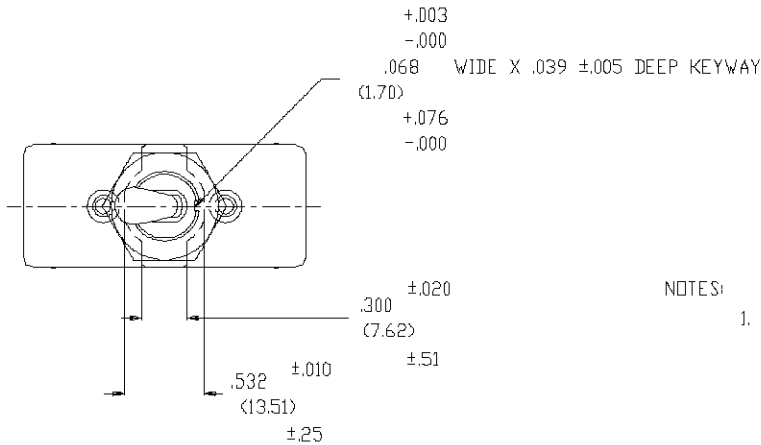


ORDER NO. 93719990

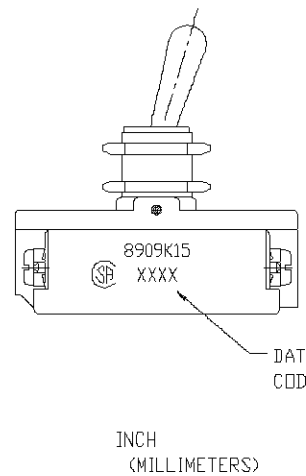
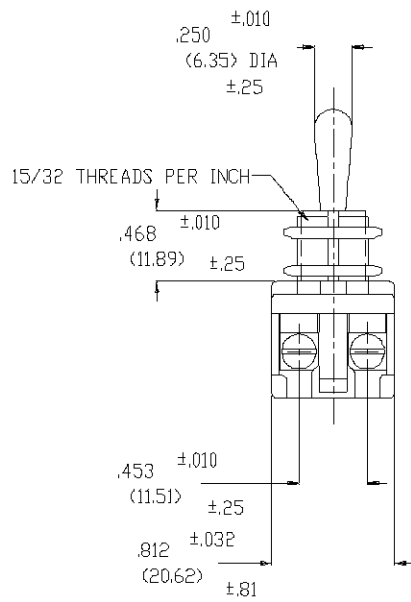
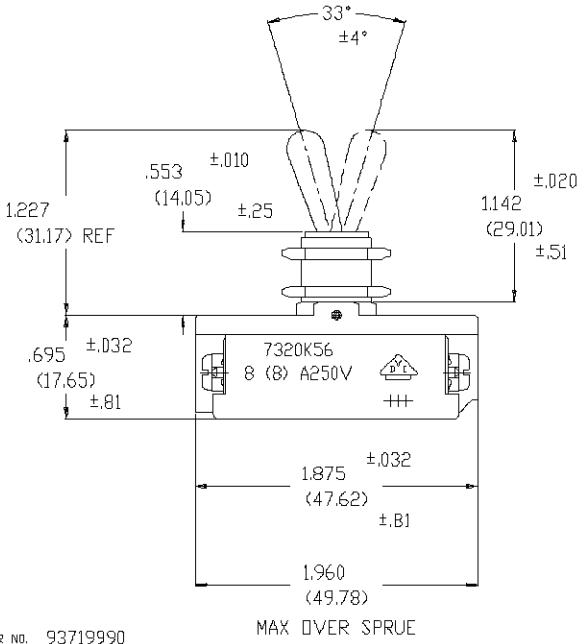
A		ECN		ECN	
		ECN		ECN	
		ECN		ECN	



TITLE	DIM DWG D
DR.	2/
CHK.	
APP.	



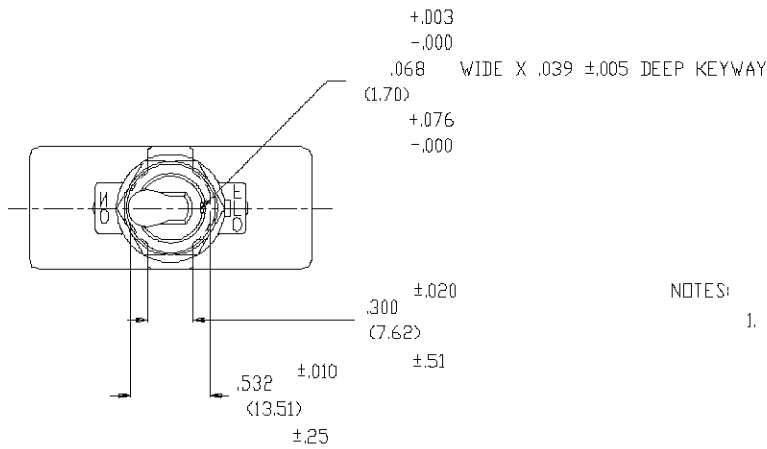
NOTES:
1. MOUNTING HARDWARE TO BE SHIPPED UNASSEMBLED.



ORDER NO. 93719990

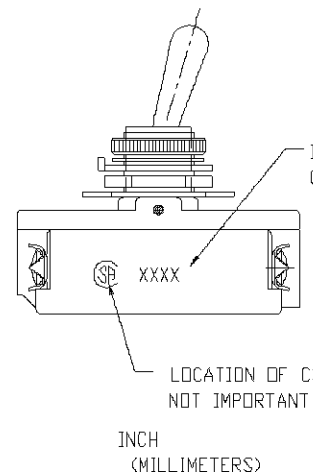
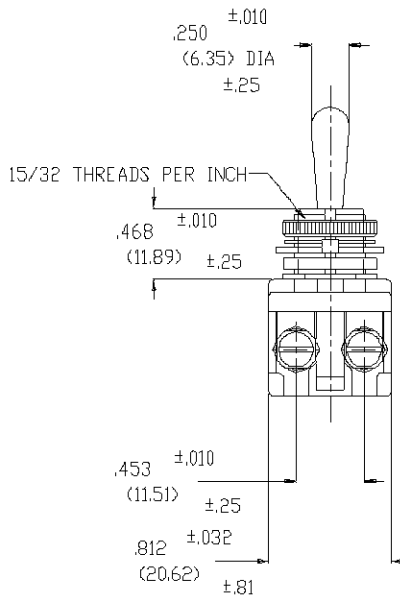
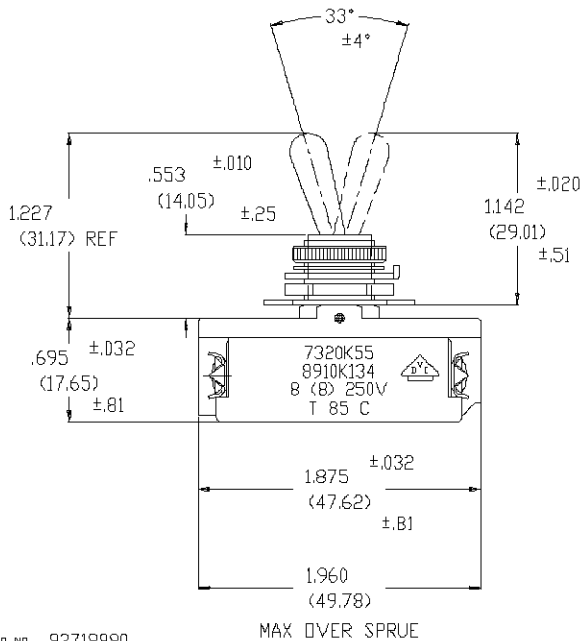


TITLE	DIM DWG D
DR.	T. CHRISTENSEN
CHK.	
APP.	



NOTES:

1. MOUNTING HARDWARE TO BE SHIPPED UNASSEMBLED.

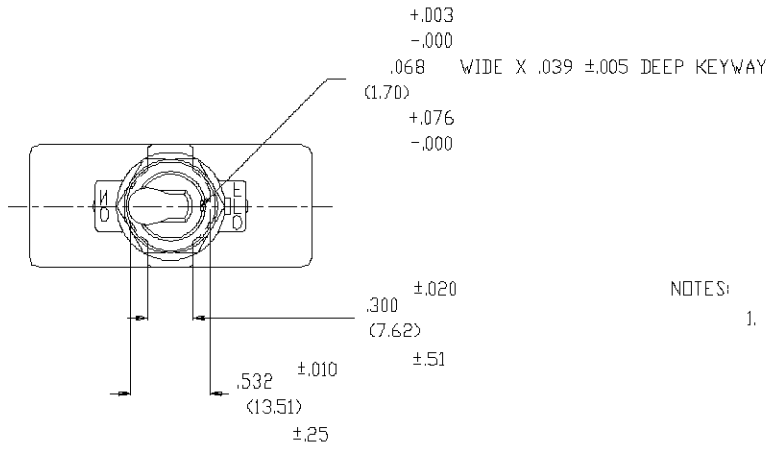


ORDER NO. 93719990

THIRD ANGLE PROJECTION

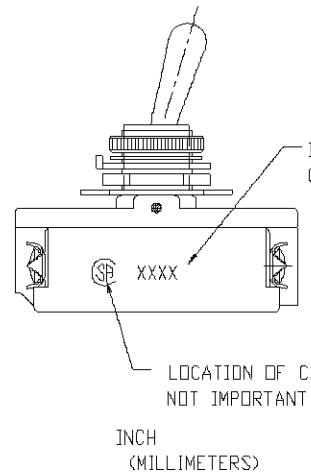
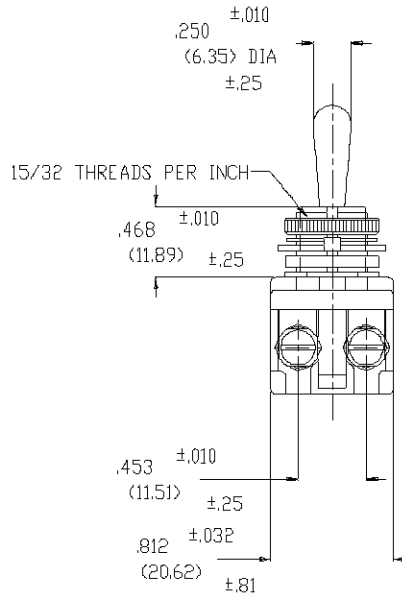
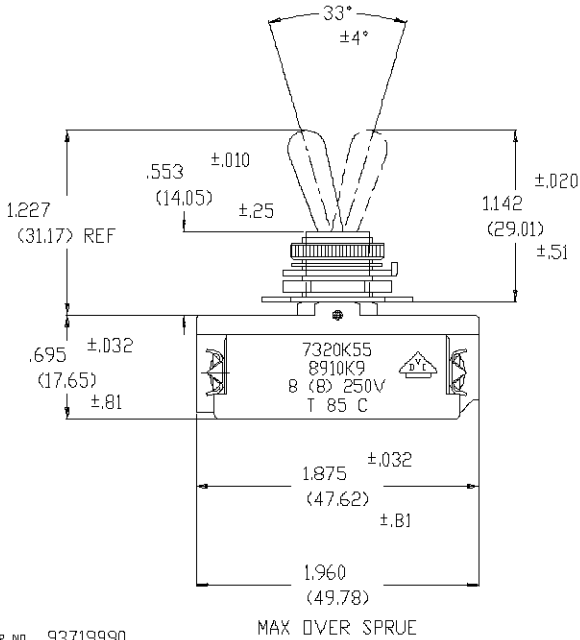


TITLE	DIM DWG
DR.	2/
CHK.	
APP.	



NOTES:

1. MOUNTING HARDWARE TO BE SHIPPED UNASSEMBLED.



ORDER NO. 93719990

THIRD ANGLE PROJECTION



TITLE	DIM DWG D
DR.	2/
CHK.	
APP.	

X-ON Electronics

Largest Supplier of Electrical and Electronic Components

Click to view similar products for [Toggle Switches](#) category:

Click to view products by [TE Connectivity](#) manufacturer:

Other Similar products are found below :

[8A1-C-222](#) [60012L](#) [6006L](#) [6663](#) [7101MD9V30GE](#) [7101SPDV30BE](#) [7103SDV30BE](#) [7105D](#) [7108P3YAV2BE](#) [71YY50282](#)
[7201MD9AVBE](#) [7301K38](#) [7306K36](#) [7310K36](#) [7314K36](#) [7506K4](#) [7592K6](#) [7691K14](#) [7700K1](#) [8396K108](#) [8824K14](#) [8828K13](#) [G2VX](#) [G3VX](#)
[PS83-121G](#) [A101MD9AB04](#) [A101SD9AB04](#) [A101SDCQ04](#) [A103SD9AQ04](#) [A107TZB04](#) [A123P32YZQ](#) [A123S1YZG](#) [A127S1YCQ](#) [1-](#)
[1825192-0](#) [A131S1YZQ](#) [A201SCWZB04](#) [A207SYCB04](#) [A208J61ZQ0004](#) [A221K12KAG](#) [A221S1YZQ](#) [A221T1TCQ](#) [A232K12KZQ](#)
[A232M1YCQ](#) [A323S1CWZQ](#) [A423S1CWZG-M8](#) [A423S1YZQ](#) [12149A-3V](#) [12156AX408](#) [12147AGKX679](#) [12149AD2G0383VX408](#)