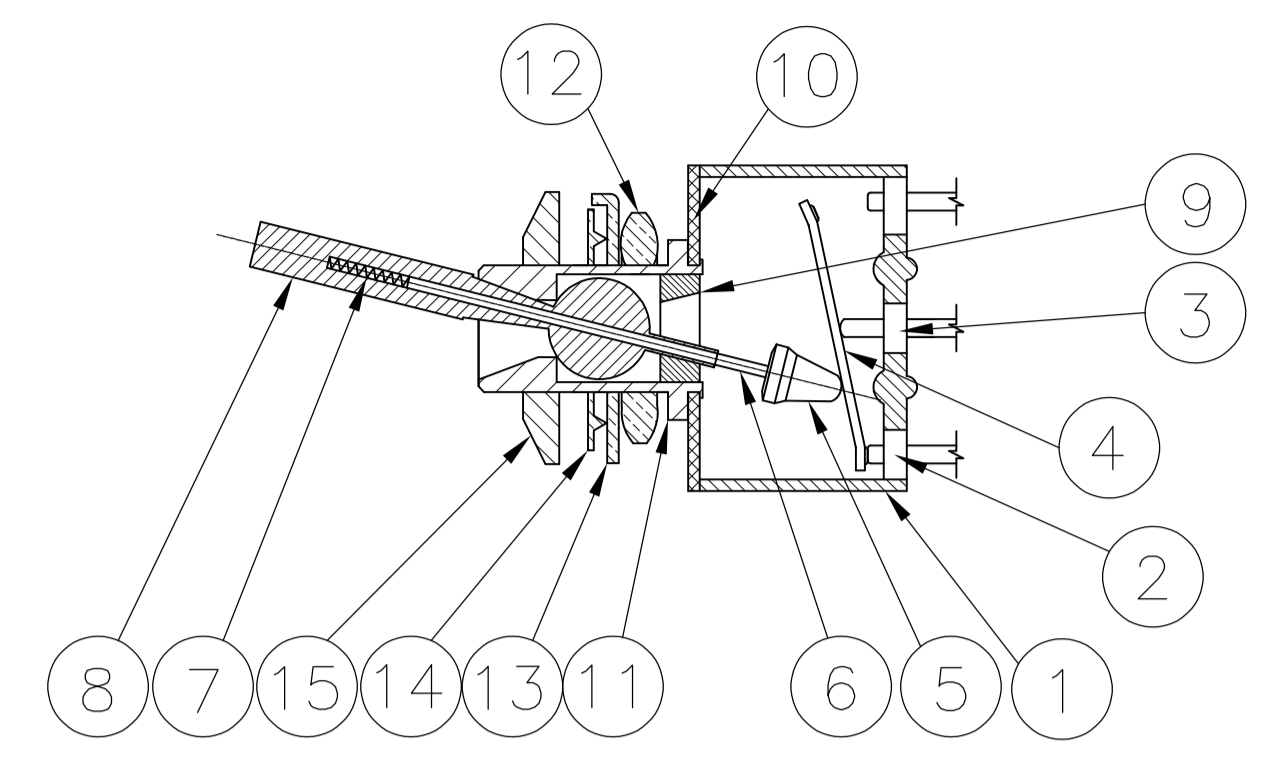
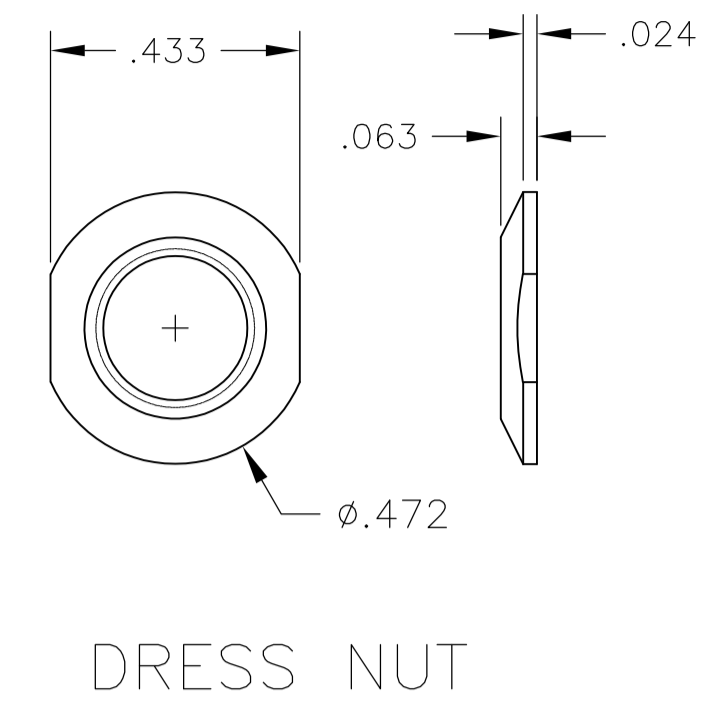
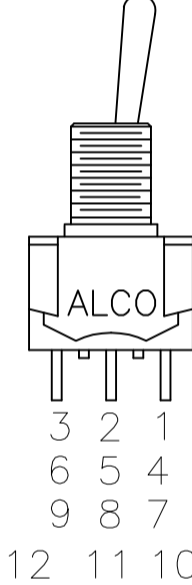
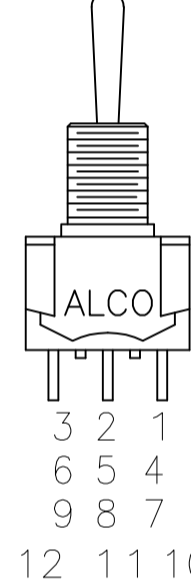
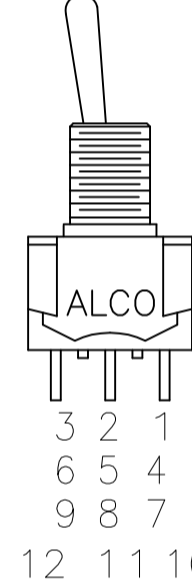


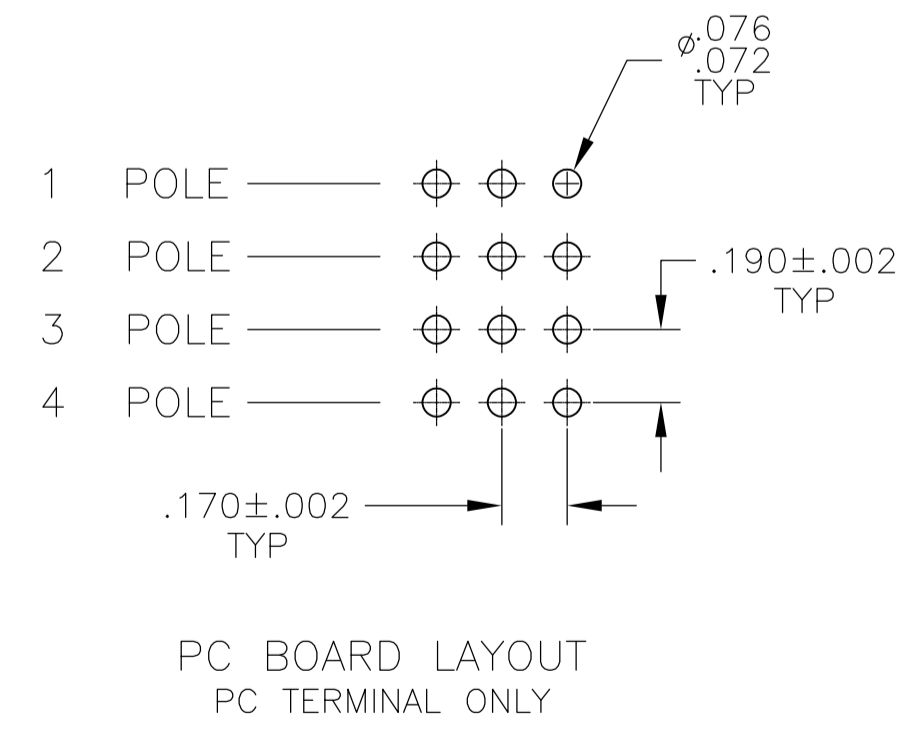
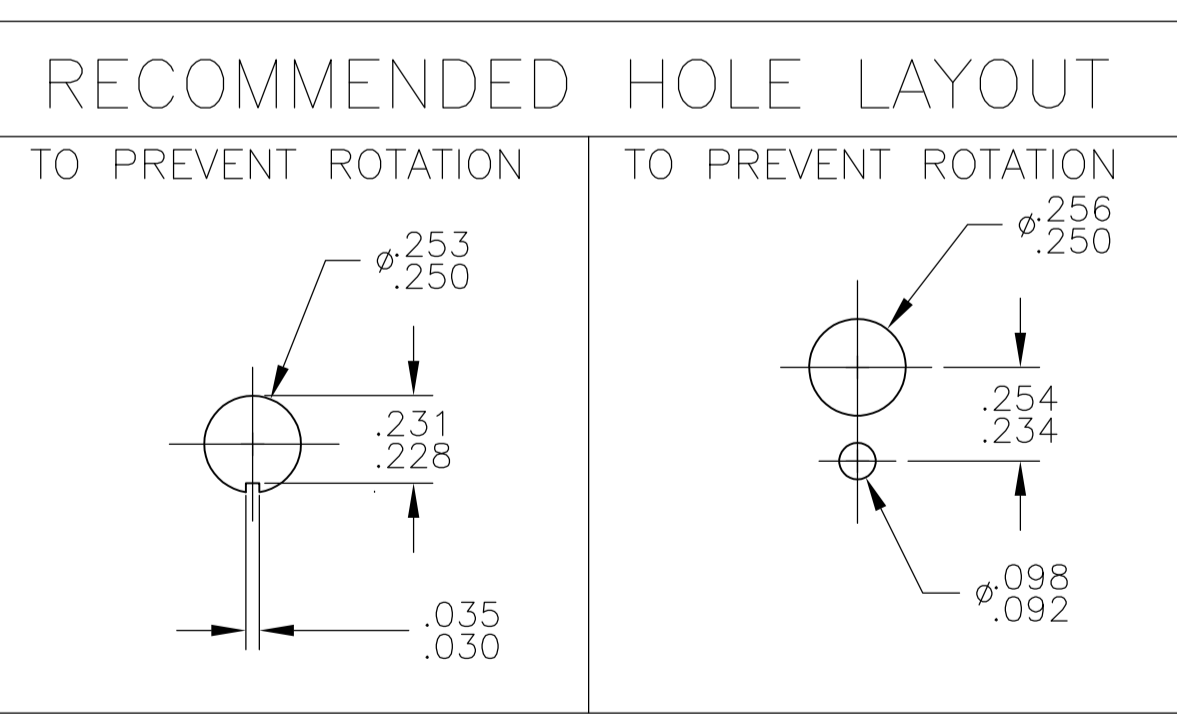
Materials			
No.	Component name	Base material	Finish
1	Housing	High Temp., UL 94V-0, green	
2	End terminal	silver clad copper alloy	5 microinches min. gold
3	Center terminal	copper alloy	5 microinches min. gold
4	Rocker contact	silver clad copper alloy	5 microinches min. gold
5	Actuator	Phenol resin, UL94 HB, black	
6	Plunger	stainless steel	
7	Spring	music wire	
8	Toggle	brass	nickel, see chart
9	Retainer	Polyamide, UL94 HB, black	
10	Frame	cold rolled steel	zinc or nickel
11	Bushing	brass	100 microinches min. nickel over 10 microinches min. copper
12	Mounting nuts (1)	brass	200 microinches min. bright nickel
13	Locating ring	cold rolled steel	zinc or nickel
14	Internal tooth lockwasher	steel	zinc or nickel
15	Dress Nut	Brass	200 microinches min bright nickel



NOT TO SCALE


Specifications—see note 3				
Current rating UL & CSA	6A @ 125 VAC (resistive)			
	3A @ 250 VAC (resistive)			
	4A @ 28 VDC (resistive)			
Termination resistance	20 milliohms max @ 2-4 VDC, 1A			
Insulation resistance	1,000 megohms min.			
Withstanding voltage	1,000 VAC			
Travel	24 +/-6 degrees			
Actuation force	.05 to 1.5 kgf			
Operating temperature	-20C to +85C			
Storage temperature	-40C to +85C			
Contact timing	break before make			
Terminal seal	epoxy or insert molded			
Durability	Parameter	2 Position	3 Position	Momentary
	mechanical (no load)	150,000	100,000	80,000
	250 VAC (3A resistive)	80,000	60,000	60,000
	125 VAC (6A resistive)	80,000	60,000	60,000
	28 VDC (4A resistive)	60,000	50,000	40,000

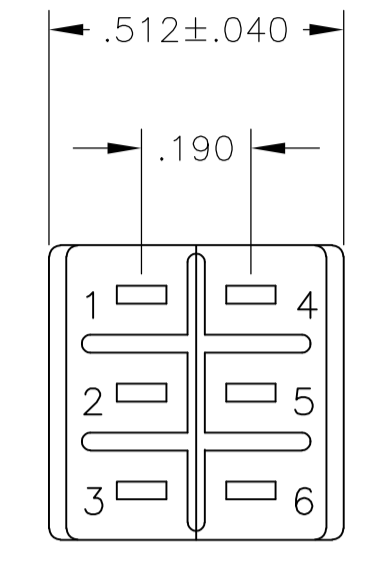
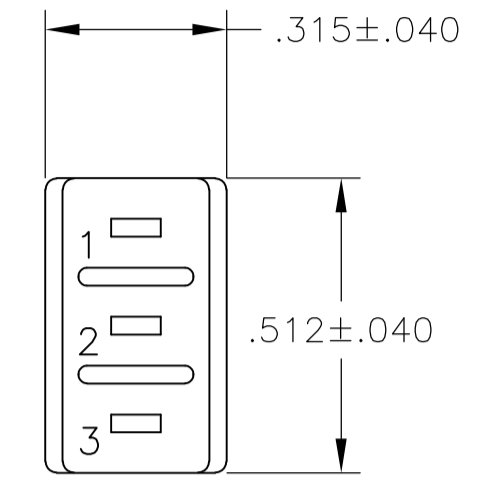
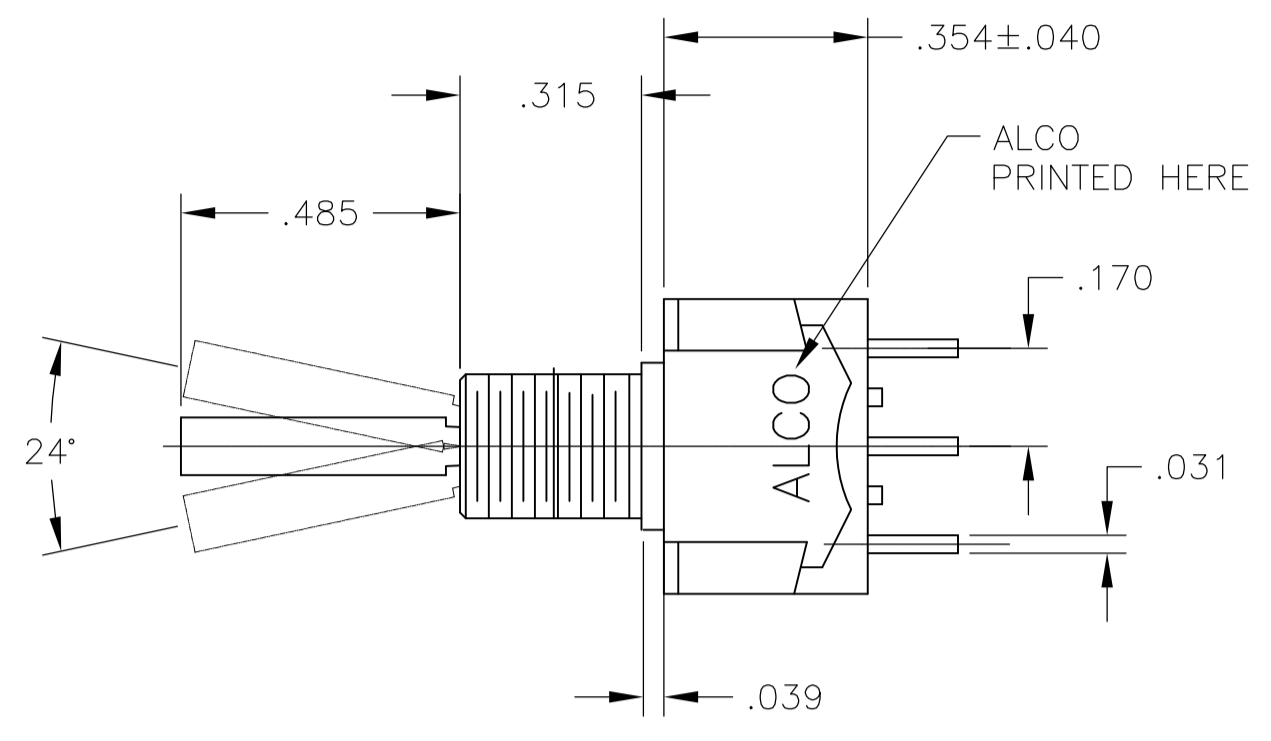
Part Number	Alco Model	Poles	Throws	Function	Terminal	Toggle	Finish				Comments
1437559-9	MTF426N	4	2	ON ON	Wire lug	bright nickel	2-3, 5-6, 8-9, 11-12	---	2-1, 5-4, 8-7, 11-10		
1437559-8	MTF406N	4	2	ON ON	Wire lug	matte nickel	2-3, 5-6, 8-9, 11-12	---	2-1, 5-4, 8-7, 11-10		
1437559-7	MTF326D	3	2	ON ON	Wire lug	bright nickel	2-3, 5-6, 8-9	---	2-1, 5-4, 8-7		
1437559-6	MTF306D	3	2	ON ON	Wire lug	matte nickel	2-3, 5-6, 8-9	---	2-1, 5-4, 8-7		
1437559-5	MTF226SA	1	3	(ON) ON (ON)	Wire lug	bright nickel	5-6	5-3	5-1	note 6	
1437559-4	MTF226S	2	2	(ON) OFF (ON)	Wire lug	bright nickel	2-3, 5-6	Off	2-1, 5-4		
1437559-3	MTF226R	2	2	ON (ON)	Wire lug	bright nickel	2-3, 5-6	---	2-1, 5-4		
1437559-2	MTF226PA	1	3	ON ON ON	Wire lug	bright nickel	5-6	5-3	5-1	note 6	
1437559-1	MTF226P	2	2	ON OFF ON	Wire lug	bright nickel	2-3, 5-6	Off	2-1, 5-4		
9-1437558-9	MTF226N	2	2	ON ON	Wire lug	bright nickel	2-3, 5-6	---	2-1, 5-4		
9-1437558-8	MTF206T	2	2	ON OFF (ON)	Wire lug	matte nickel	2-3, 5-6	Off	2-1, 5-4		
9-1437558-7	MTF206SA	1	3	(ON) ON (ON)	Wire lug	matte nickel	5-6	5-3	5-1	note 6	
9-1437558-6	MTF206S	2	2	(ON) OFF (ON)	Wire lug	matte nickel	2-3, 5-6	Off	2-1, 5-4		
9-1437558-5	MTF206R	2	2	ON (ON)	Wire lug	matte nickel	2-3, 5-6	---	2-1, 5-4		
9-1437558-4	MTF206PA	1	3	ON ON ON	Wire lug	matte nickel	5-6	5-3	5-1	note 6	
9-1437558-3	MTF206P	2	2	ON OFF ON	Wire lug	matte nickel	2-3, 5-6	Off	2-1, 5-4		
9-1437558-2	MTF206N	2	2	ON ON	Wire lug	matte nickel	2-3, 5-6	---	2-1, 5-4		
9-1437558-1	MTF126G	1	2	(ON) OFF (ON)	Wire lug	bright nickel	2-3	Off	2-1		
9-1437558-0	MTF126F	1	2	ON (ON)	Wire lug	bright nickel	2-3	---	2-1		
8-1437558-9	MTF126E	1	2	ON OFF ON	Wire lug	bright nickel	2-3	Off	2-1		
8-1437558-8	MTF126D	1	2	ON ON	Wire lug	bright nickel	2-3	---	2-1		
8-1437558-7	MTF106H	1	2	ON OFF (ON)	Wire lug	matte nickel	2-3	Off	2-1		
8-1437558-6	MTF106G	1	2	(ON) OFF (ON)	Wire lug	matte nickel	2-3	Off	2-1		
8-1437558-5	MTF106F	1	2	ON (ON)	Wire lug	matte nickel	2-3	---	2-1		
8-1437558-4	MTF106E	1	2	ON OFF ON	Wire lug	matte nickel	2-3	Off	2-1		
8-1437558-3	MTF106D	1	2	ON ON	Wire lug	matte nickel	2-3	---	2-1		



- NOTES:
- TERMINAL NUMBERS ARE FOR REFERENCE ONLY AND DO NOT APPEAR ON THE SWITCHES.
 - EACH SWITCH SUPPLIED WITH THE FOLLOWING MOUNTING HARDWARE:
 - (1) 1/4-40 UNS-2B HEX NUTS, (1) 1/4-40 UNS-2B DRESS NUTS
 - (1) INTERNAL TOOTH LOCKWASHER
 - (1) LOCATING RING
 - WIRE LUG CONTACTS WILL ACCEPT 2 #20 AWG SOLID OR STRANDED WIRES.
 - CUSTOMER INSTALLED EXTERNAL JUMPER BETWEEN TERMINALS 2 AND 4 REQUIRED FOR 1 POLE 3 THROW FUNCTION.
- 7 OBSOLETE
8. LASER MARKING USED FOR PARTS.

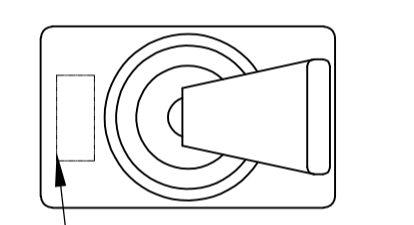
THIS DRAWING IS A CONTROLLED DOCUMENT.

DIMENSIONS: INCHES	TOLERANCES UNLESS OTHERWISE SPECIFIED:	DIN M. BINNER	OBAPR04	 TE Connectivity
0 PLC ± -	1 PLC ± -	CHK: M. ZITTO	OBAPR04	
2 PLC ± -	3 PLC ± .005	APPD: M. ZITTO	OBAPR04	NAME: TOGGLE SWITCH, MTF SERIES VERTICAL MOUNT
4 PLC ± -	ANGLES ± -	PRODUCT SPEC		APPLICATION SPEC
MATERIAL	FINISH	WEIGHT		SIZE: A1
				CAGE CODE: 00779
				DRAWING NO: 8-1437558-3
				RESTRICTED TO: -
				CUSTOMER DRAWING
				SCALE: 2:1
				SHEET: 1 OF 3
				REV: D3

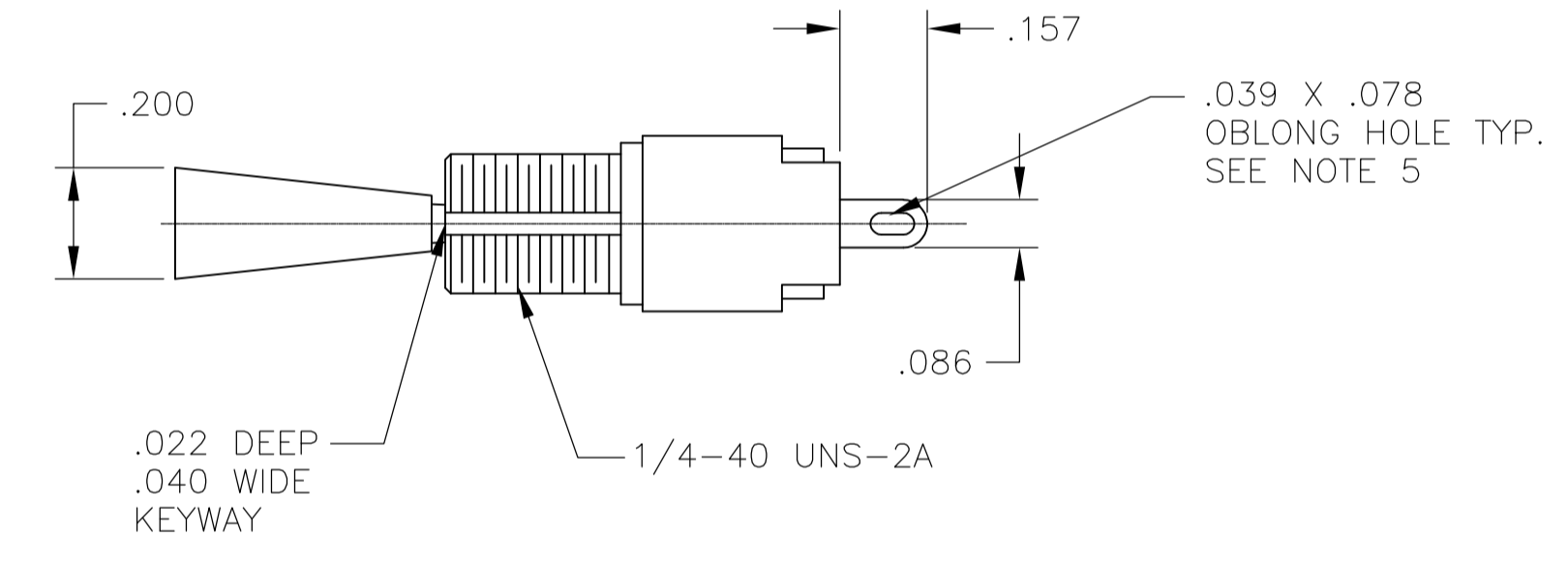


MTF-106

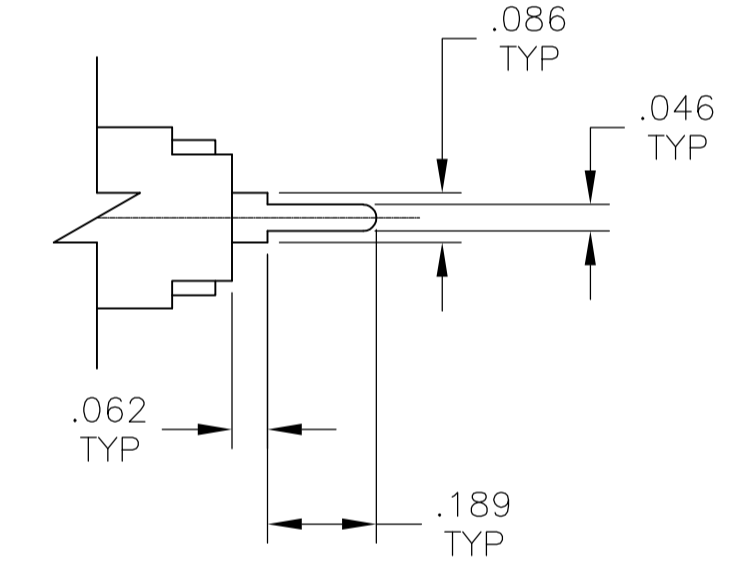
MTF-206



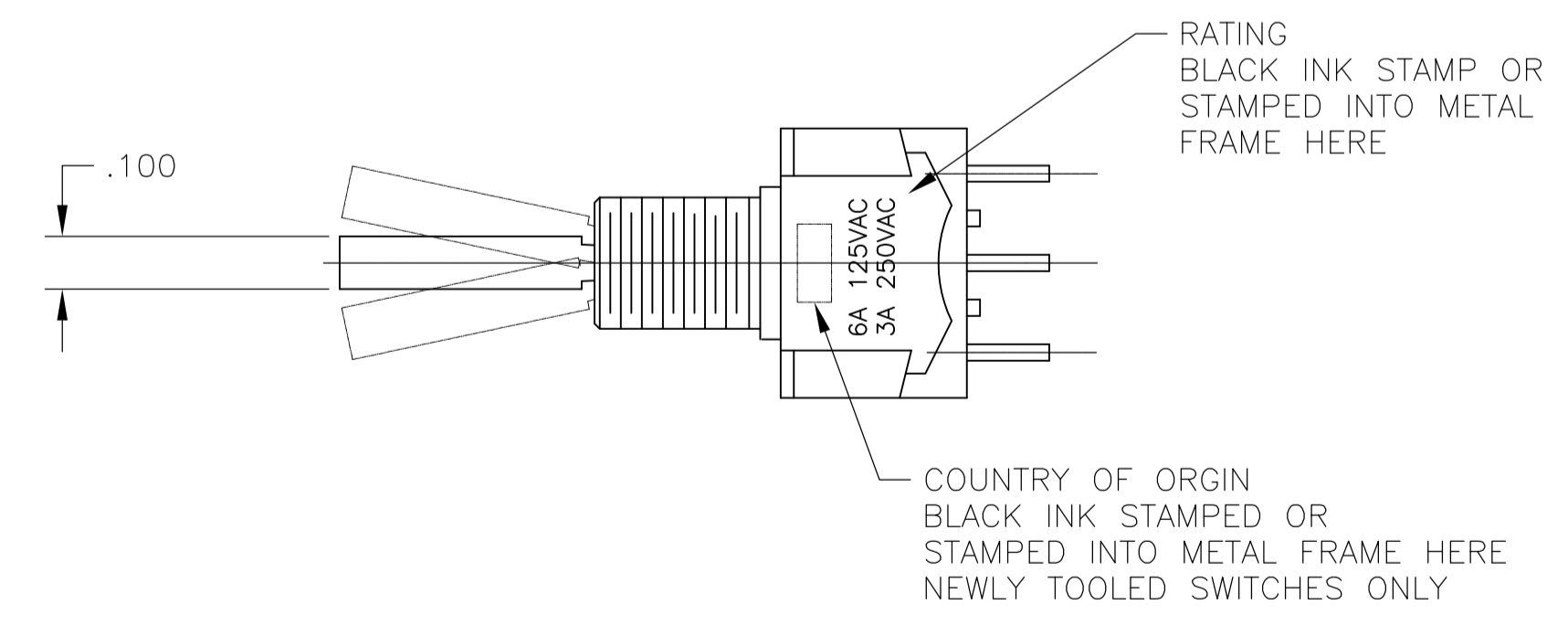
COUNTRY OF ORIGIN STAMPED HERE EXISTING SWITCHES ONLY



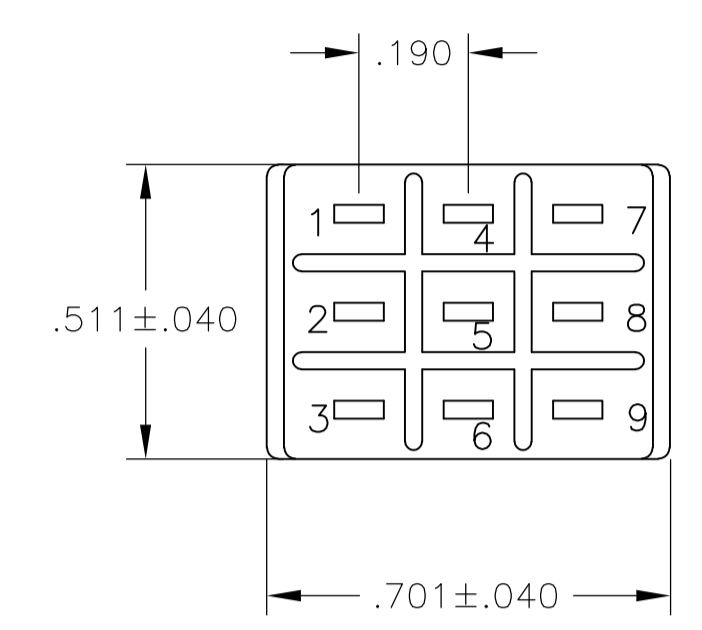
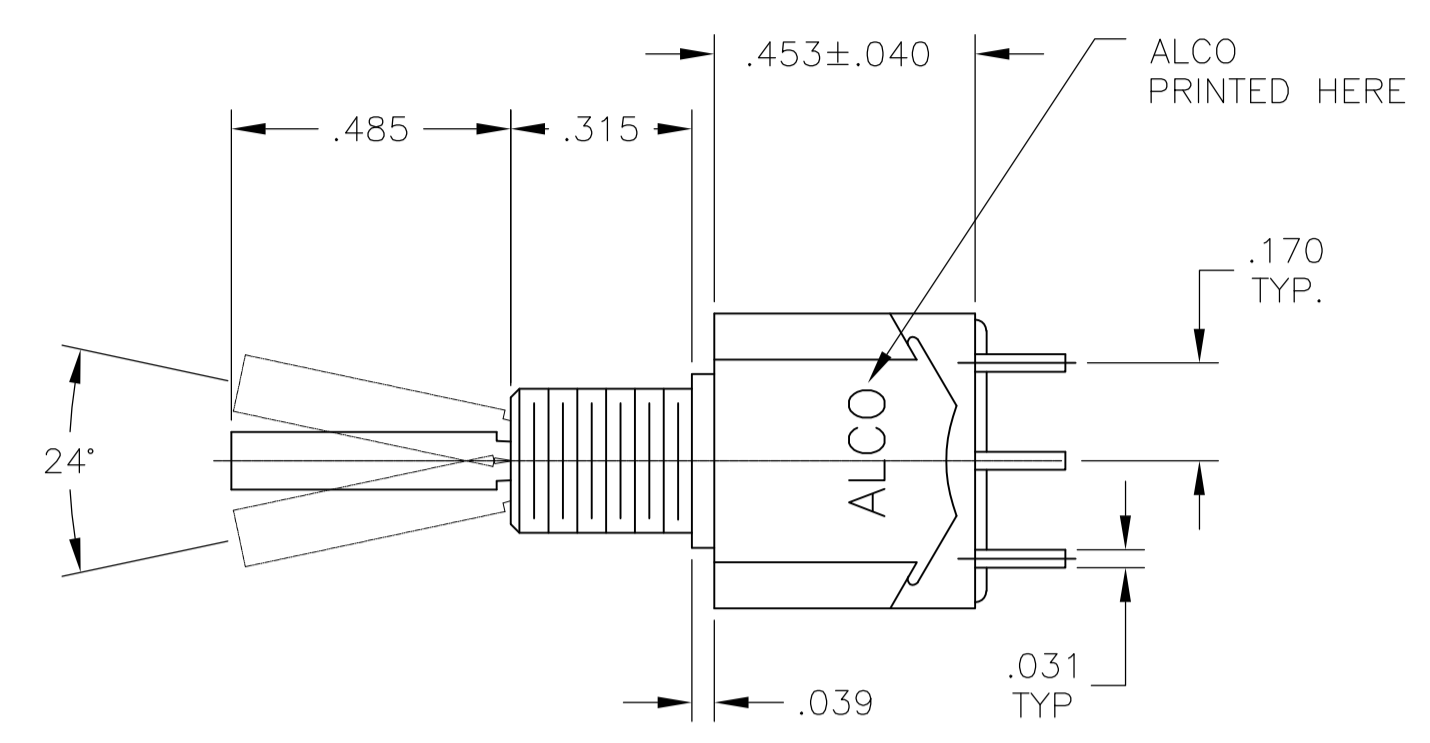
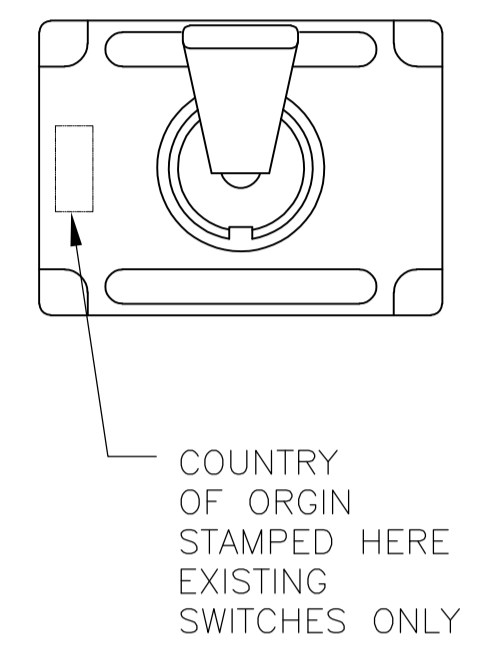
WIRE LUG TERMINAL



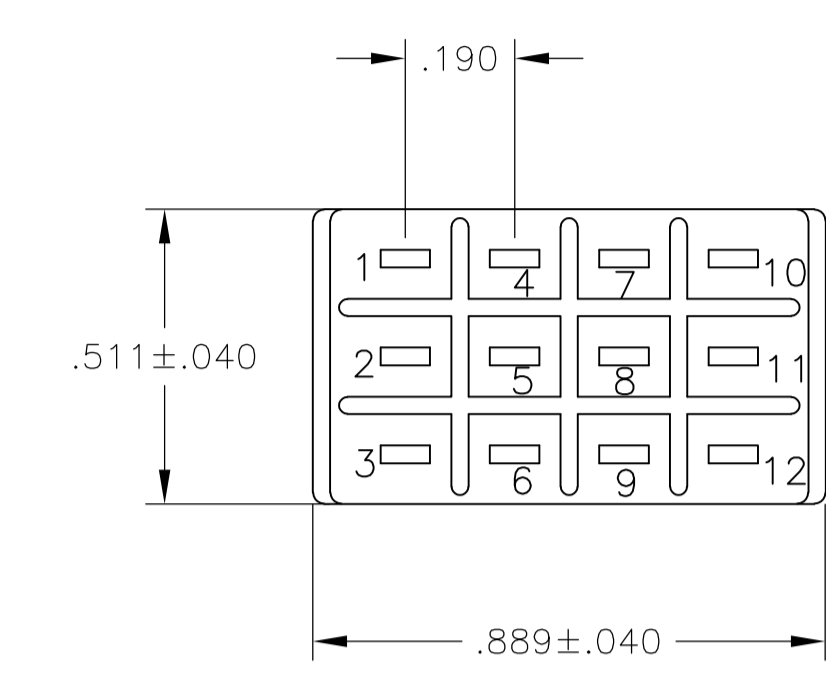
PC TERMINAL



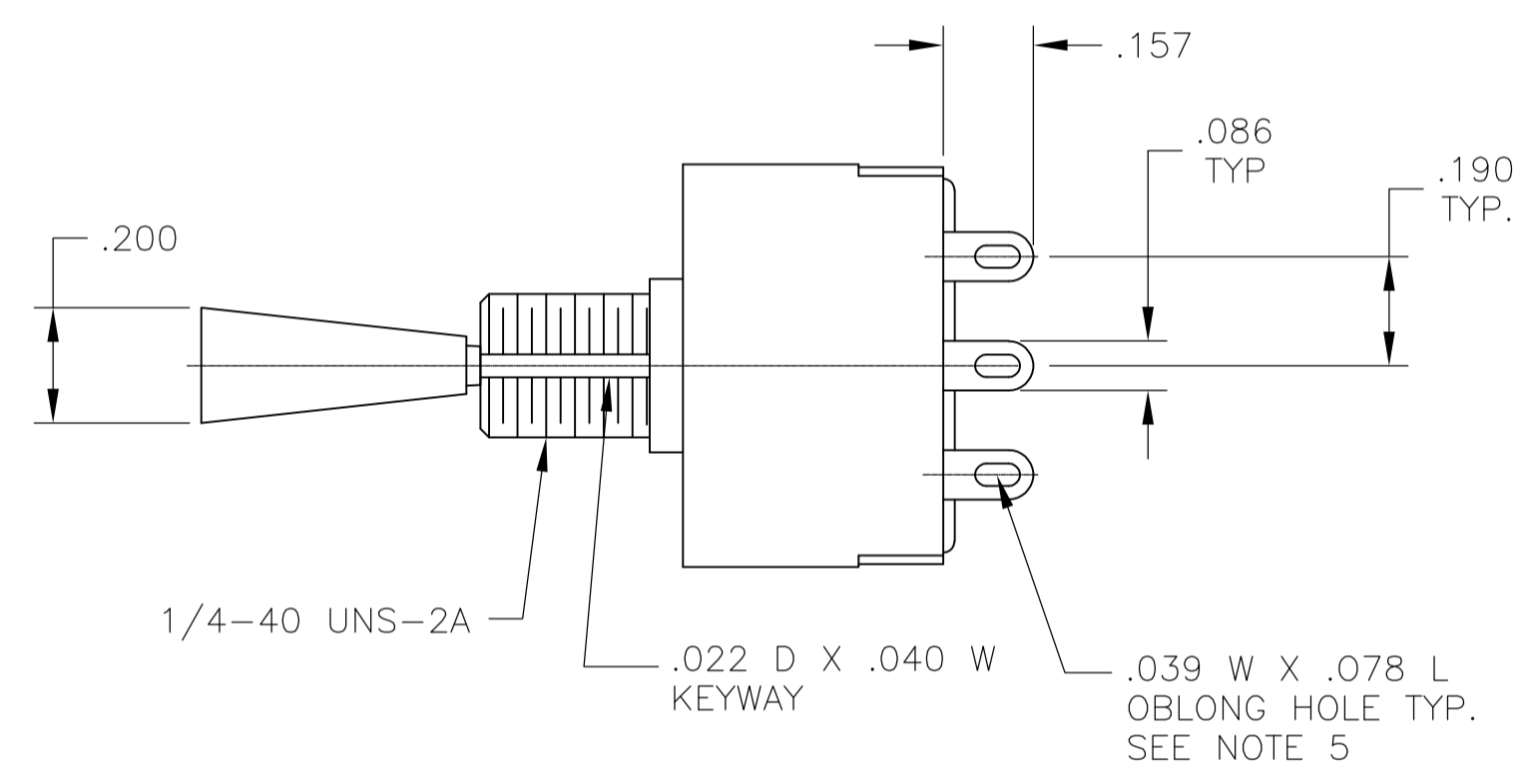
THIS DRAWING IS A CONTROLLED DOCUMENT.		DWN	M. BINNER	08APR04																					
DIMENSIONS: INCHES		CHK	M. ZITTO	08APR04																					
TOLERANCES UNLESS OTHERWISE SPECIFIED:		APP'D	M. ZITTO	08APR04																					
<table border="1"> <tr><td>0. PLC</td><td>±</td><td>-</td></tr> <tr><td>1. PLC</td><td>±</td><td>-</td></tr> <tr><td>2. PLC</td><td>±</td><td>-</td></tr> <tr><td>3. PLC</td><td>±</td><td>.005</td></tr> <tr><td>4. PLC</td><td>±</td><td>-</td></tr> <tr><td>ANGLES</td><td>±</td><td>-</td></tr> <tr><td>FINISH</td><td>-</td><td>-</td></tr> </table>		0. PLC	±	-		1. PLC	±	-	2. PLC	±	-	3. PLC	±	.005	4. PLC	±	-	ANGLES	±	-	FINISH	-	-	NAME	TOGGLE SWITCH, MTF SERIES VERTICAL MOUNT
0. PLC	±	-																							
1. PLC	±	-																							
2. PLC	±	-																							
3. PLC	±	.005																							
4. PLC	±	-																							
ANGLES	±	-																							
FINISH	-	-																							
MATERIAL	-	PRODUCT SPEC	-																						
		APPLICATION SPEC	-																						
		RESTRICTED TO	-																						
		SIZE	A1	00779	CAGE CODE	8-1437558-3	DRAWING NO	8-1437558-3																	
		WEIGHT	-		SCALE	3:1	SHEET	2 OF 3																	
		CUSTOMER DRAWING			REV	D3																			



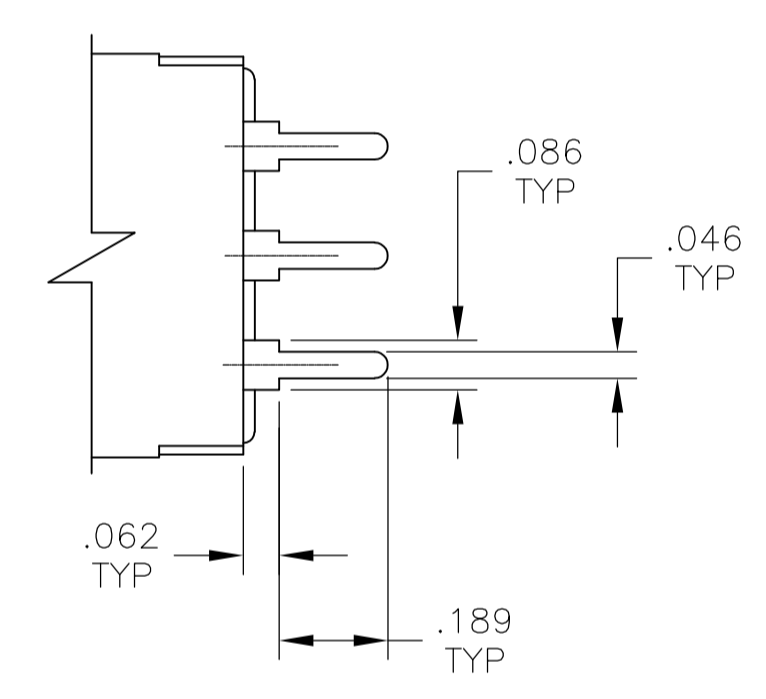
MTF-306



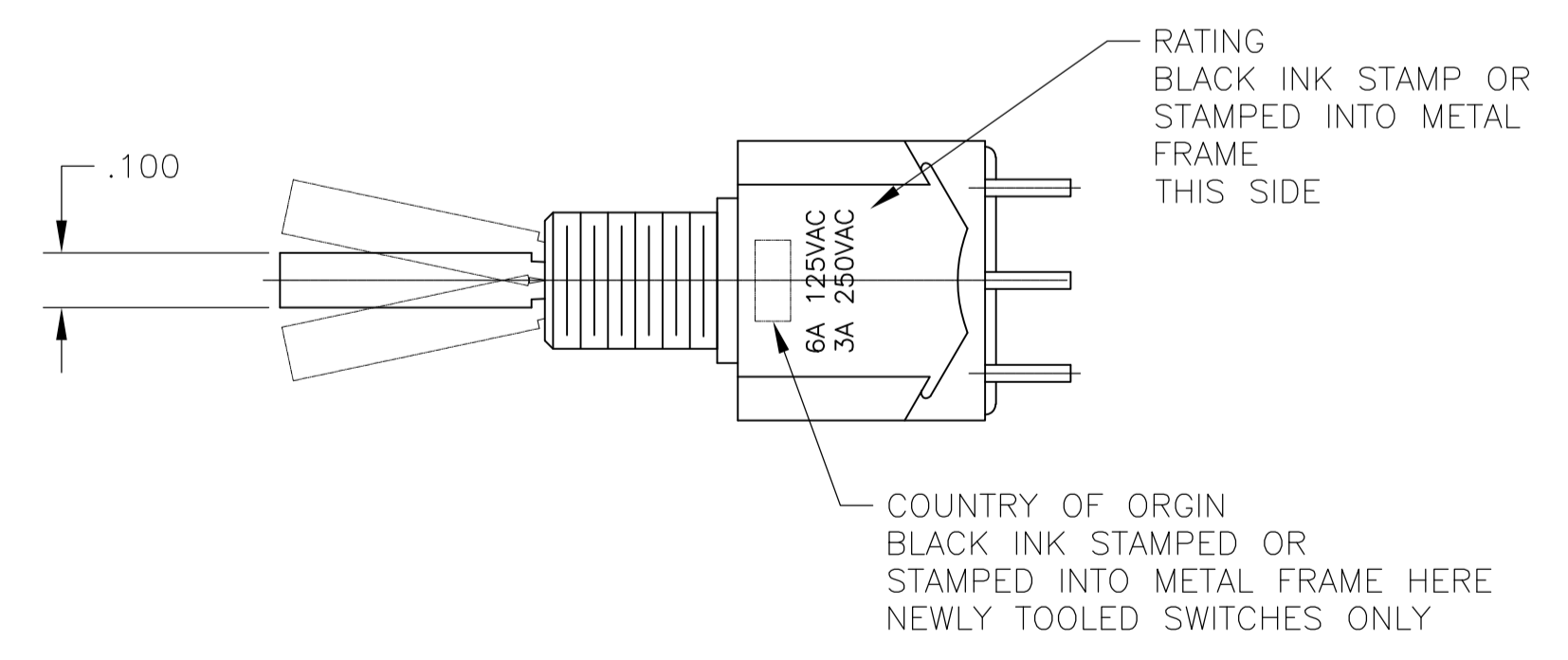
MTF-406



WIRE LUG TERMINAL



PC TERMINAL



THIS DRAWING IS A CONTROLLED DOCUMENT.		DWG: M. BINNER	OBAPR04	 TE Connectivity
DIMENSIONS: INCHES		CHK: M. ZITTO	OBAPR04	
TOLERANCES UNLESS OTHERWISE SPECIFIED:		NAME: TOGGLE SWITCH, MTF SERIES VERTICAL MOUNT		
0. PLC	± .005	PRODUCT SPEC		
1. PLC	± .005	APPLICATION SPEC		
2. PLC	± .005	SIZE: A1		
3. PLC	± .005	CAGE CODE: 8-1437558-3		
4. PLC	± .005	DRAWING NO: 00779		
ANGLES	± .005	SCALE: 3:1		
MATERIAL		SHEET 3 OF 3		
FINISH		REV D3		
		CUSTOMER DRAWING		

X-ON Electronics

Largest Supplier of Electrical and Electronic Components

Click to view similar products for [Toggle Switches](#) category:

Click to view products by [TE Connectivity](#) manufacturer:

Other Similar products are found below :

[8A1-C-222](#) [60012L](#) [6006L](#) [6663](#) [7101MD9V30GE](#) [7101SPDV30BE](#) [7103SDV30BE](#) [7105D](#) [7108P3YAV2BE](#) [71YY50282](#)
[7201MD9AVBE](#) [7301K38](#) [7306K36](#) [7310K36](#) [7314K36](#) [7506K4](#) [7592K6](#) [7691K14](#) [7700K1](#) [8396K108](#) [8824K14](#) [8828K13](#) [G2VX](#) [G3VX](#)
[PS83-121G](#) [A101MD9AB04](#) [A101SD9AB04](#) [A101SDCQ04](#) [A103SD9AQ04](#) [A107TZB04](#) [A123P32YZQ](#) [A123S1YZG](#) [A127S1YCQ](#) [1-](#)
[1825192-0](#) [A131S1YZQ](#) [A201SCWZB04](#) [A207SYCB04](#) [A208J61ZQ0004](#) [A221K12KAG](#) [A221S1YZQ](#) [A221T1TCQ](#) [A232K12KZQ](#)
[A232M1YCQ](#) [A323S1CWZQ](#) [A423S1CWZG-M8](#) [A423S1YZQ](#) [12149A-3V](#) [12156AX408](#) [12147AGKX679](#) [12149AD2G0383VX408](#)