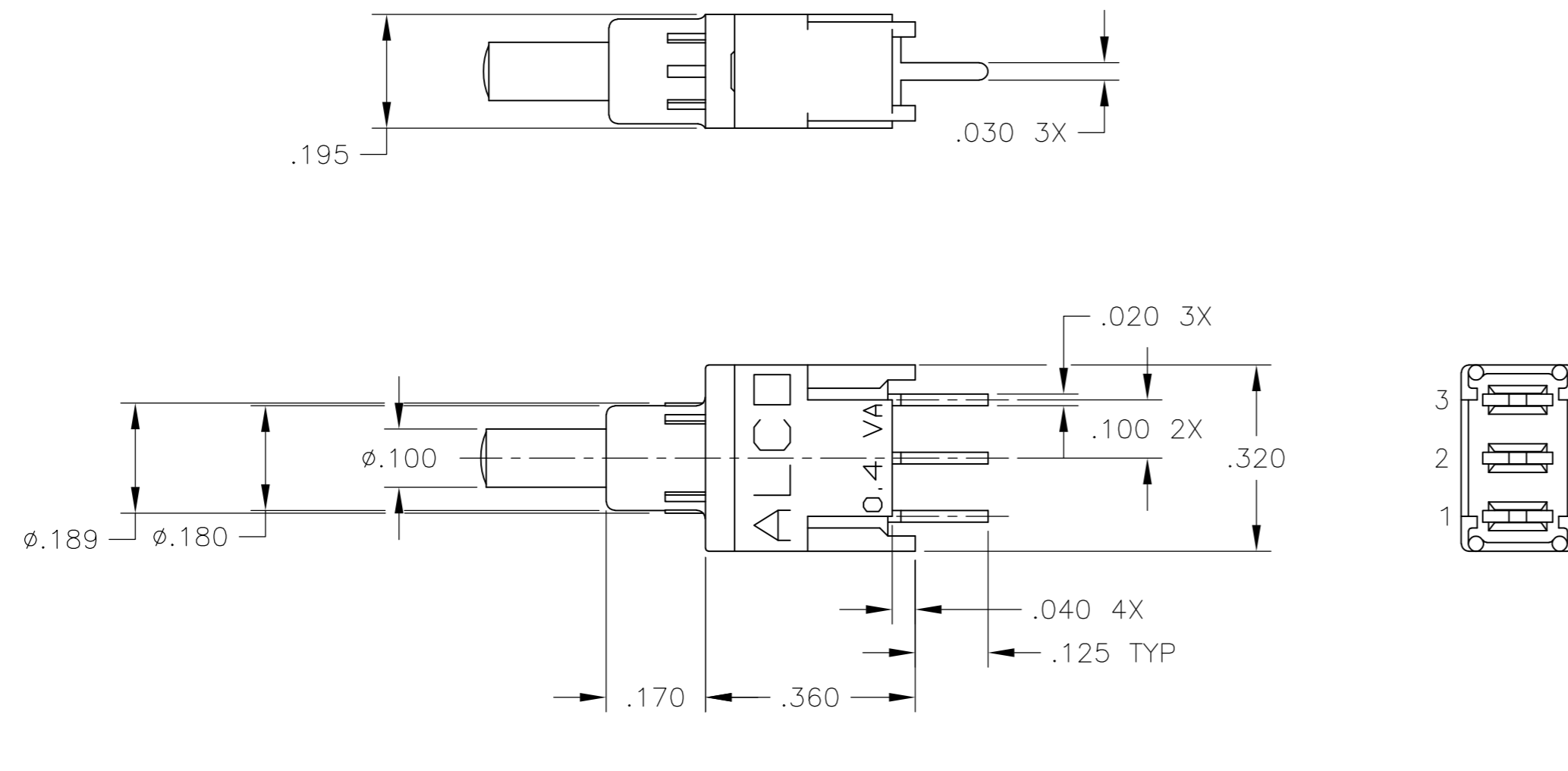
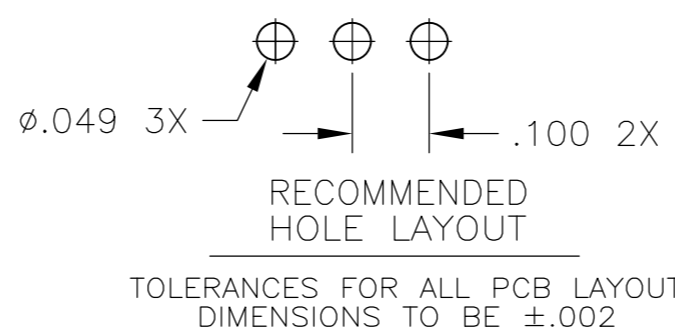


THIS DRAWING IS UNPUBLISHED. RELEASED FOR PUBLICATION
 © COPYRIGHT - By - ALL RIGHTS RESERVED.

LOC		DIST		REVISIONS			
P	LTR	DESCRIPTION	DATE	DWN	APVD		
AD	00	A2	REVISED PER ECO-15-004048	16MAR2015	NK	RH	



PC PC MOUNT



SPECIFICATIONS:

MATERIALS:

CASE & BUSHING: LCP
 BUTTON: POLYAMIDE
 SPRING: MUSIC WIRE, ZN PLATED
 MOVABLE CONTACT: BRASS OR COPPER ALLOY, AU OVER NI PLATED.
 BRACKET: STEEL, TIN OVER COPPER PLATED
 TERMINALS: BRASS, TIN OVER NICKEL IN SOLDER AREA AND GOLD OVER NI IN CONTACT AREA.
 O-RING: NITRILE

ELECTRICAL:

CONTACT RATING: 0.4VA @ 20 VAC/DC
 INITIAL CONTACT RESISTANCE: 20 MILLIOHMS MAX.
 INSULATION RESISTANCE: 1000 MEGOHMS @ 500V DC MIN.
 DIELECTRIC STRENGTH: **C** 1000 VOLTS RMS AT SEA LEVEL.
F 500 VOLTS RMS AT SEA LEVEL.

LIFE EXPECTANCY: **C** 80,000 CYCLES
F 60,000 CYCLES.

MECHANICAL:

ACTUATION TRAVEL: .035.

ENVIRONMENTAL:

OPERATING TEMPERATURE: -22°F TO +185°F
 (-30°C TO +85°C)
 STORAGE TEMPERATURE: -67°F TO +185°F
 (-55°C TO +85°C)

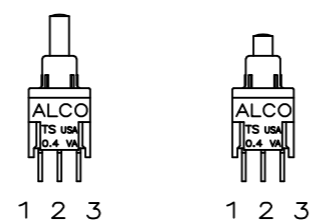
NOTES:

- ALL MATERIALS AND FINISHES COMPLY WITH EU DIRECTIVE 2002/95/EC OF 27JAN2003 (ROHS).
- F FUNCTION NOT AVAILABLE WITH SRA TERMINATION.

FIGURE 1

FUNCTION CHART

THE FOLLOWING FUNCTIONS AVAILABLE IN SINGLE POLE.

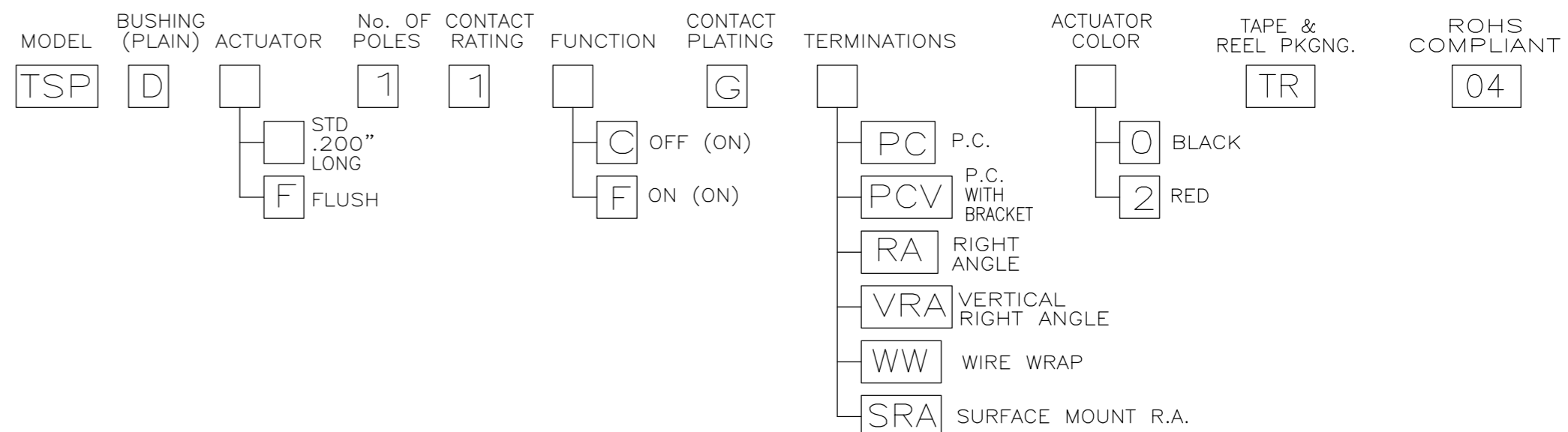


C 2 POSITIONS OFF (ON) TERMINALS CONNECTED: 1-3 OMIT CENTER TERMINAL FOR FUNCTION C	F 2 POSITIONS ON (ON) TERMINALS CONNECTED: 1-2 2-3
---	--

OFF INDICATES A MECHANICAL POSITION WITH NO ELECTRICAL CONNECTION.

(ON) INDICATES MOMENTARY ACTION

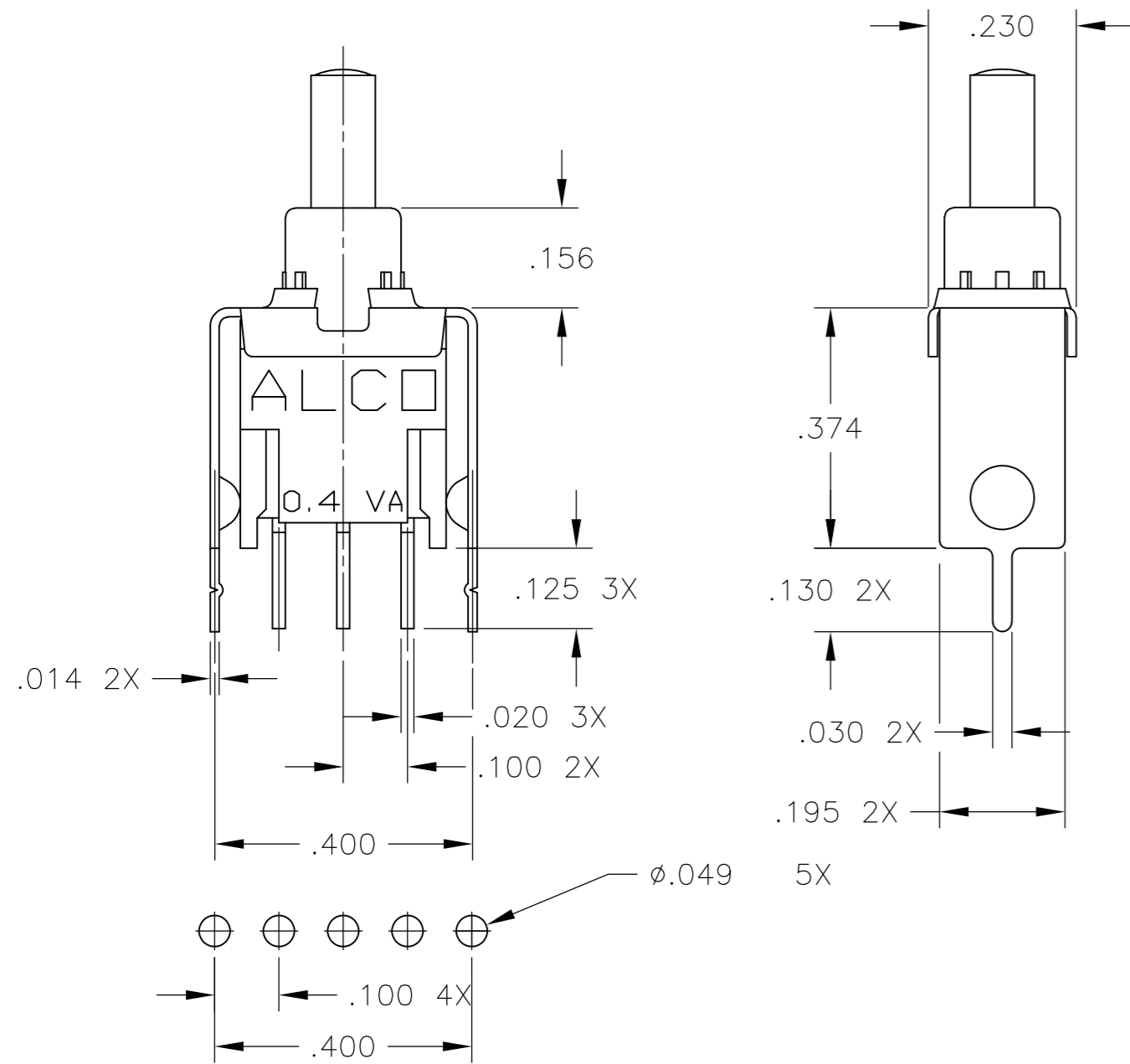
PART NUMBERING SEQUENCE



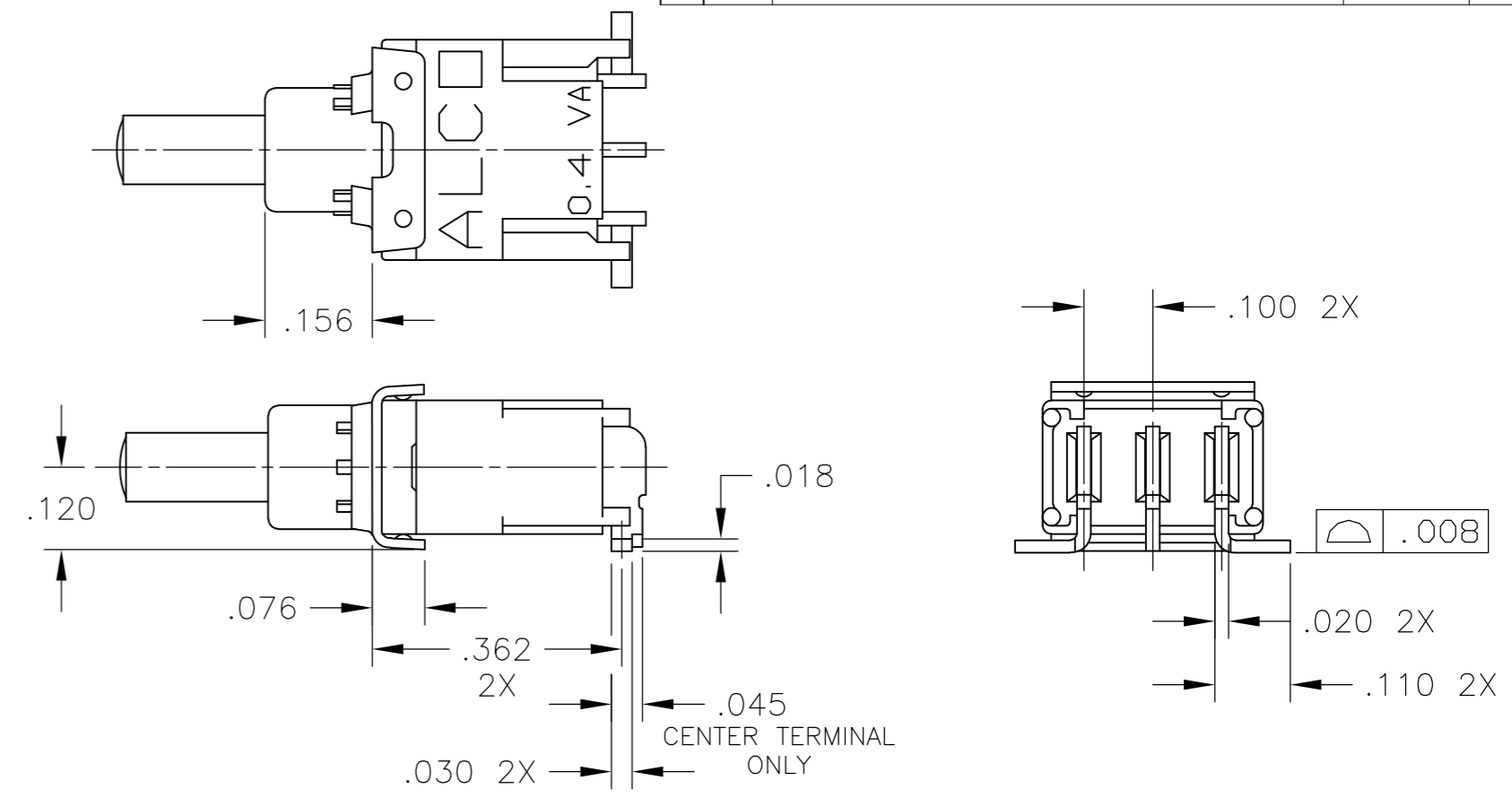
THIS DRAWING IS A CONTROLLED DOCUMENT.		DWN M.BINNER 01MAR05	TE Connectivity	
DIMENSIONS: INCHES		CHK M.ZITTO 01MAR05		
TOLERANCES UNLESS OTHERWISE SPECIFIED:		APVD M.ZITTO 01MAR05	NAME SEALED PUSHBUTTON SWITCH SINGLE POLE, TSP SERIES, ROHS COMPLIANT	
0 PLC ± - 1 PLC ± - 2 PLC ± - 3 PLC ± .010 4 PLC ± - ANGLES ± 1°		PRODUCT SPEC -	RESTRICTED TO	
MATERIAL		APPLICATION SPEC -	SIZE A2	CAGE CODE 00779
FINISH		WEIGHT -	DRAWING NO 1571990	REV A2
		CUSTOMER DRAWING	SCALE 4:1	SHEET 1 of 4

THIS DRAWING IS UNPUBLISHED. RELEASED FOR PUBLICATION
 © COPYRIGHT - By - ALL RIGHTS RESERVED.

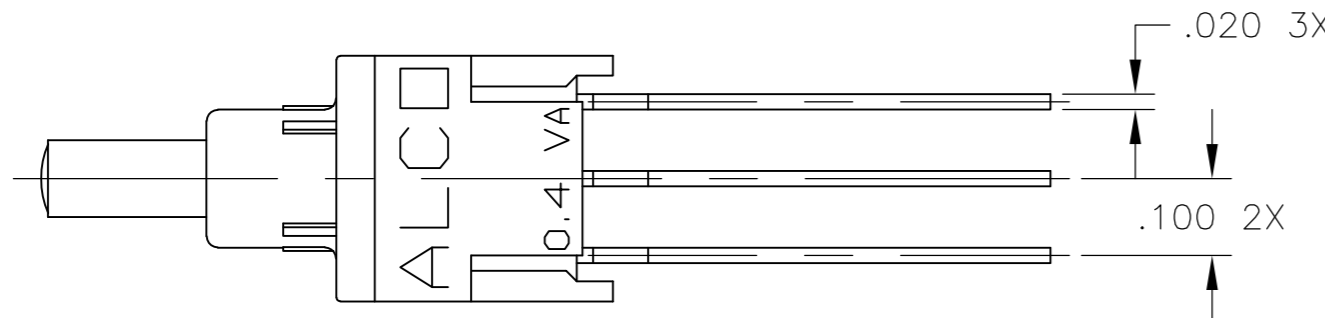
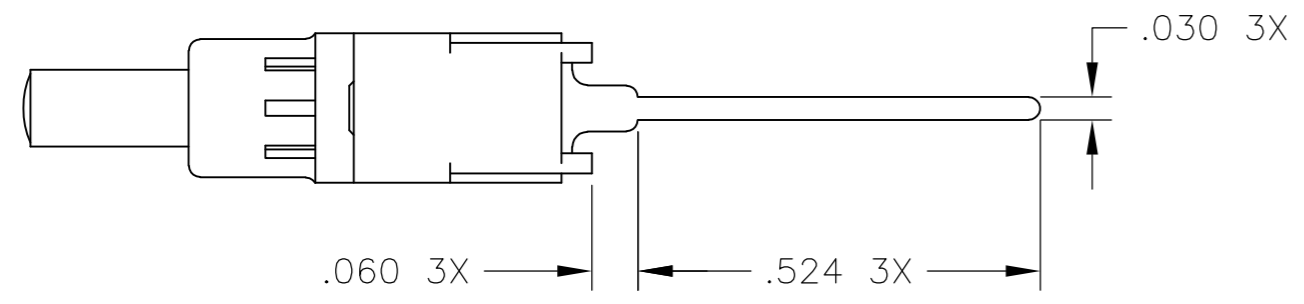
LOC		DIST		REVISIONS			
P	LTR	DESCRIPTION	DATE	DWN	APVD		
AD	00	SEE SHEET 1	-	-	-		



PCV PC WITH VERTICAL SUPPORT BRACKET



SRA SURFACE MOUNT RIGHT ANGLE, "L" BEND



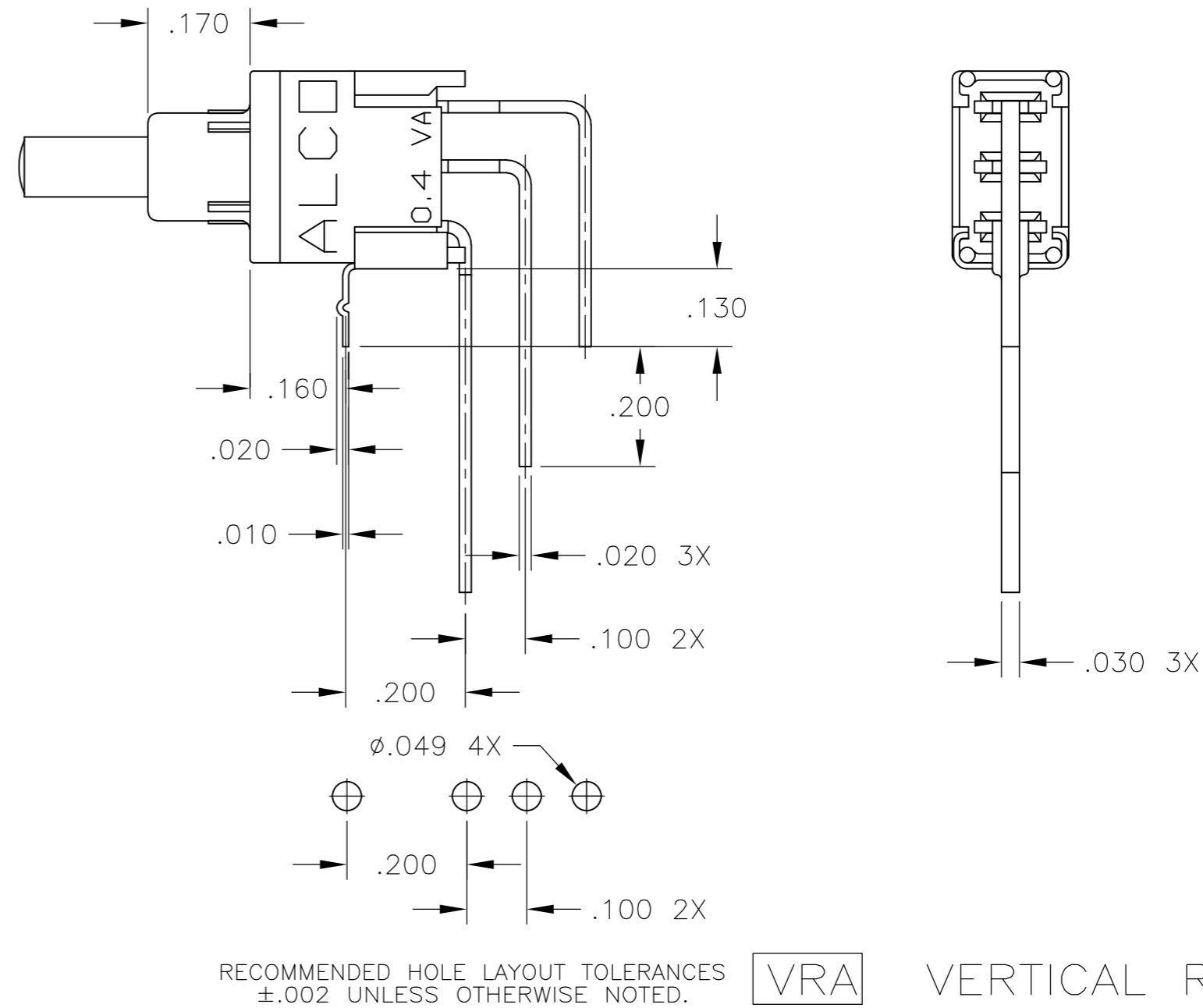
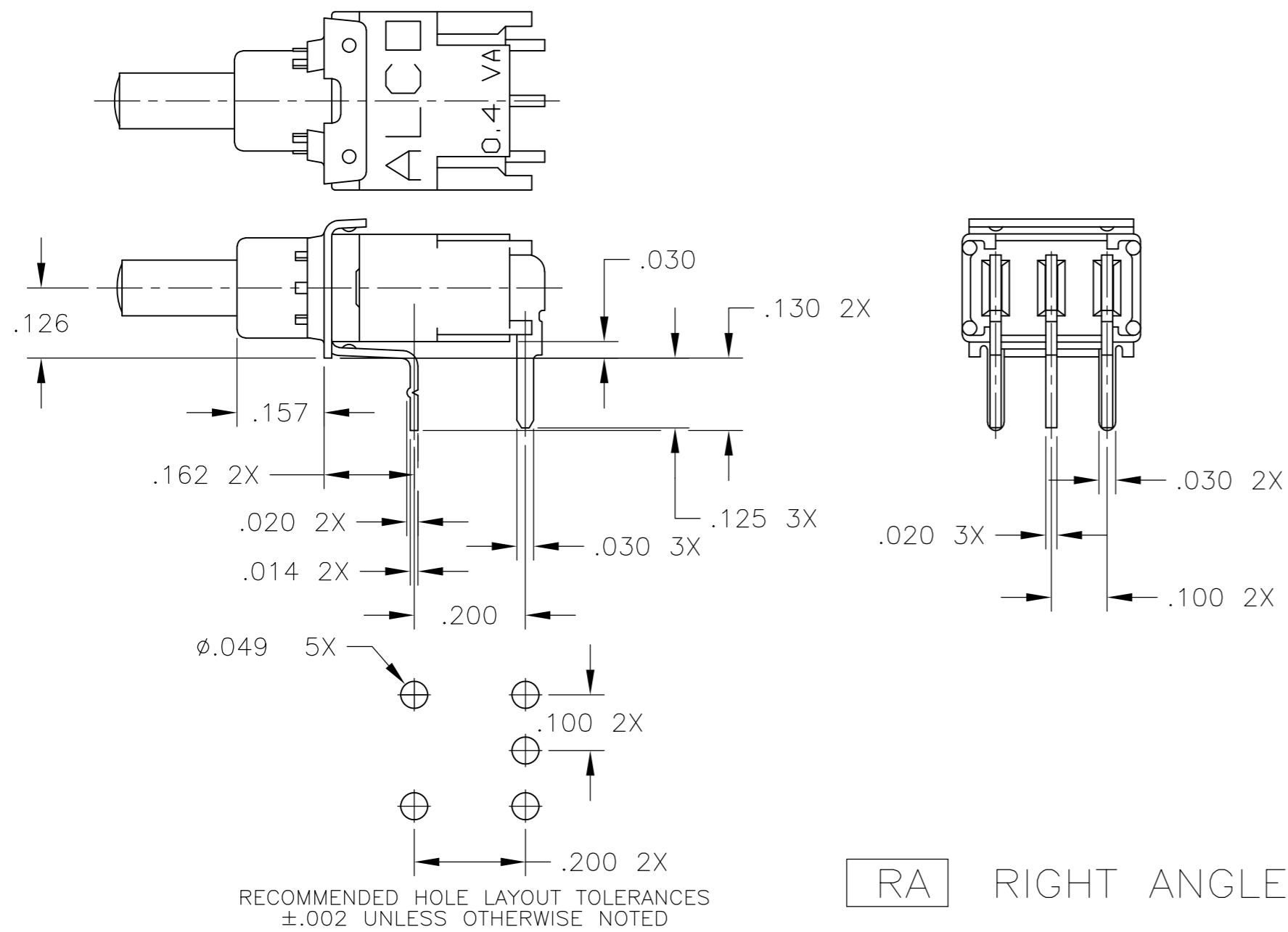
WW WIRE WRAP

RECOMMENDED HOLE LAYOUT TOLERANCES ±.002 UNLESS OTHERWISE NOTED.

THIS DRAWING IS A CONTROLLED DOCUMENT.		DWN	M.BINNER	01MAR05		TE Connectivity		
DIMENSIONS: INCHES		CHK	M.ZITTO	01MAR05		NAME		
TOLERANCES UNLESS OTHERWISE SPECIFIED:		APVD	M.ZITTO	01MAR05		SEALD PUSHBUTTON SWITCH		
0 PLC ± - 1 PLC ± - 2 PLC ± - 3 PLC ± .010 4 PLC ± - ANGLES ± 1°		PRODUCT SPEC		SINGLE POLE, TSP SERIES, ROHS COMPLIANT				
MATERIAL		FINISH		WEIGHT	SIZE	CAGE CODE	DRAWING NO	RESTRICTED TO
-		-		-	A2	00779	C=1571990	-
CUSTOMER DRAWING				SCALE	4:1	SHEET	2 of 4	REV
								A2

THIS DRAWING IS UNPUBLISHED. RELEASED FOR PUBLICATION
 © COPYRIGHT - By - ALL RIGHTS RESERVED.

LOC		DIST		REVISIONS			
P	LTR	DESCRIPTION	DATE	DWN	APVD		
AD	00						
SEE SHEET 1							




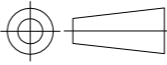
THIS DRAWING IS A CONTROLLED DOCUMENT.		DWN M.BINNER 01MAR05	TE TE Connectivity	
DIMENSIONS: INCHES		CHK M.ZITTO 01MAR05		
TOLERANCES UNLESS OTHERWISE SPECIFIED:		APVD M.ZITTO 01MAR05	NAME SEALED PUSHBUTTON SWITCH SINGLE POLE, TSP SERIES, ROHS COMPLIANT	
0 PLC ± -		PRODUCT SPEC	SIZE A2	
1 PLC ± -		APPLICATION SPEC	CAGE CODE 00779	DRAWING NO 1571990
2 PLC ± -			RESTRICTED TO	
3 PLC ± .010			-	
4 PLC ± -			SCALE 4:1	
ANGLES ± 1°			SHEET 3 OF 4	
FINISH		WEIGHT -	REV A2	
MATERIAL		CUSTOMER DRAWING		

THIS DRAWING IS UNPUBLISHED. RELEASED FOR PUBLICATION
 © COPYRIGHT - By - ALL RIGHTS RESERVED.

LOC	DIST	REVISIONS					
		P	LTR	DESCRIPTION	DATE	DWN	APVD
AD	00	-	-	SEE SHEET 1	-	-	-

PRELIMINARY	TSPDF11FGVRA004	3-1571990-1	
OBSOLETE	TSPDF11FGSRA004	3-1571990-0	
	TSPDF11FGRA004	2-1571990-9	
	TSPDF11FGPC004	2-1571990-8	
	TSPDF11CGVRA004	2-1571990-7	
OBSOLETE	TSPDF11CGSRA004	2-1571990-6	
	TSPDF11CGRA004	2-1571990-5	
OBSOLETE	TSPDF11CGSRAB0TR04	2-1571990-4	
PRELIMINARY	TSPDF11CGSRA0TR04	2-1571990-3	
	TSPDF11CGPC004	2-1571990-2	
	TSPD11FGVRA004	2-1571990-1	
OBSOLETE	TSPD11FGSRAB004	2-1571990-0	
	TSPD11FGSRA004	1-1571990-9	
	TSPD11FGSPC004	1-1571990-8	
	TSPD11FGRA004	1-1571990-7	
	TSPD11FGPCV004	1-1571990-6	
	TSPD11FGPC004	1-1571990-5	
	TSPD11CGWW004	1-1571990-4	
	TSPD11CGVRA004	1-1571990-3	
	TSPD11CGSRAB004	1-1571990-2	
	TSPD11CGSRA204	1-1571990-1	
	TSPD11CGSRA0TR04	1-1571990-0	
	SUPERSEDED BY 1-1437573-9	TSPD11CGSRA004	1571990-9
OBSOLETE	TSPD11CGSPC204	1571990-8	
	TSPD11CGSPC004	1571990-7	
	available	1571990-6	
OBSOLETE	TSPD11CGRA204	1571990-5	
	TSPD11CGRA004	1571990-4	
OBSOLETE	TSPD11CGPCV004	1571990-3	
	TSPD11CGPC204	1571990-2	
	TSPD11CGPC004	1571990-1	
	Alco P/N	P/N	

SUPERSEDED BY 1-1437573-9

THIS DRAWING IS A CONTROLLED DOCUMENT.		DWN M.BINNER 01MAR05	 TE Connectivity	
DIMENSIONS: INCHES		CHK M.ZITTO 01MAR05		
TOLERANCES UNLESS OTHERWISE SPECIFIED:		APVD M.ZITTO 01MAR05	NAME SEALED PUSHBUTTON SWITCH SINGLE POLE, TSP SERIES, ROHS COMPLIANT	
 0 PLC ± - 1 PLC ± - 2 PLC ± - 3 PLC ± .010 4 PLC ± - ANGLES ± 1°		PRODUCT SPEC -	SIZE A2	
MATERIAL -		APPLICATION SPEC -	CAGE CODE 00779	DRAWING NO 1571990
FINISH -		WEIGHT -	RESTRICTED TO -	SCALE 1:1
CUSTOMER DRAWING			SHEET 4 of 4	REV A2

X-ON Electronics

Largest Supplier of Electrical and Electronic Components

Click to view similar products for [Slide Switches](#) category:

Click to view products by [TE Connectivity](#) manufacturer:

Other Similar products are found below :

[6-1437581-1](#) [M43R](#) [MHS123K15D](#) [MHSS1104A](#) [MMD](#) [GH49S010001](#) [GH49WW00001](#) [1437576-8](#) [EPS1PC1](#) [1825074-1](#) [1825160-3](#)
[1825167-2](#) [25139NLDB](#) [25436NLDB](#) [25449NAH](#) [25536NA](#) [L101011ML04B](#) [SLB1240R45](#) [SLSA12004](#) [1825078-1](#) [1825080-4](#) [1825081-1](#)
[1825269-1](#) [1825270-2](#) [STS141RA04](#) [T2215BEN506](#) [GF-124-0204](#) [GH46P000001](#) [GH46W000001](#) [GH49P010001](#) [25339NA](#) [25436NLDH](#)
[CST91246FK](#) [TG36P000000](#) [TG36P000050](#) [47227LFE](#) [49331L](#) [MHSS1105A](#) [50208L](#) [HW4S-5LF22N3](#) [L202091MS02Q](#) [4-1437581-7](#)
[X2225CR-437W](#) [48BFSP3M2QT](#) [49329L](#) [1101M1S3ZB8E2](#) [1-1437581-1](#) [EG1218REDACTUATOR](#) [TG39W000000](#) [1825075-1](#)