

# IF series

Sealed pushbutton switches  
with  $\varnothing$  25 mm actuator • bushing dia. 16 mm



## DISTINCTIVE FEATURES

- Can be operated with gloved hands
- Snap-in and threaded bushing models
- Resistant to frost
- Sealed to IP54 or IP67



## ENVIRONMENTAL SPECIFICATIONS

- Front panel sealing (switches mounted on panel) :
  - IP67 (threaded bushing models)
  - IP54 (snap-in models)
- Operating temperature : -20 °C to +85 °C (-4 °F to +185 °F)



## ELECTRICAL SPECIFICATIONS

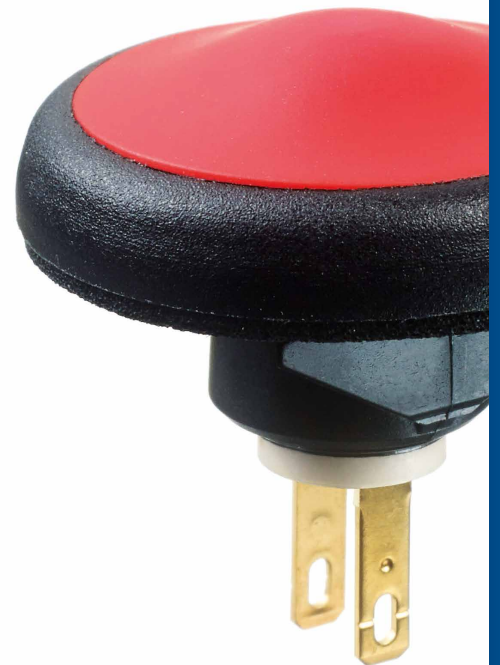
- Max. current/voltage rating with resistive load :
  - 400 mA 32 VAC - 100 mA 48 VDC
- Initial contact resistance : 50 m $\Omega$  max.
- Insulation resistance : 1 G $\Omega$  min. at 500 VDC
- Dielectric strength : 1,000 VAC rms. between terminals and frame  
1,500 VAC between terminals
- Electrical life at full load : 500,000 cycles



## GENERAL SPECIFICATIONS

- Panel thickness :
  - Snap-in models : 0.8 mm (.031) min. - 2.5 mm (.098) max.
  - Threaded bushing models : 0.8 mm (.031) min. - 5 mm (.196) max.
- Total travel : 4 mm (.157)
- Typical operating force : 6.5 N  $\pm$  2 N
- Low level or mechanical life : 1,000,000 cycles
- Torque : 1.5 Nm max. applied to nut
- Soldering : 320 °C (608 °F) max. for 3 seconds

The company reserves the right to change specifications without notice.



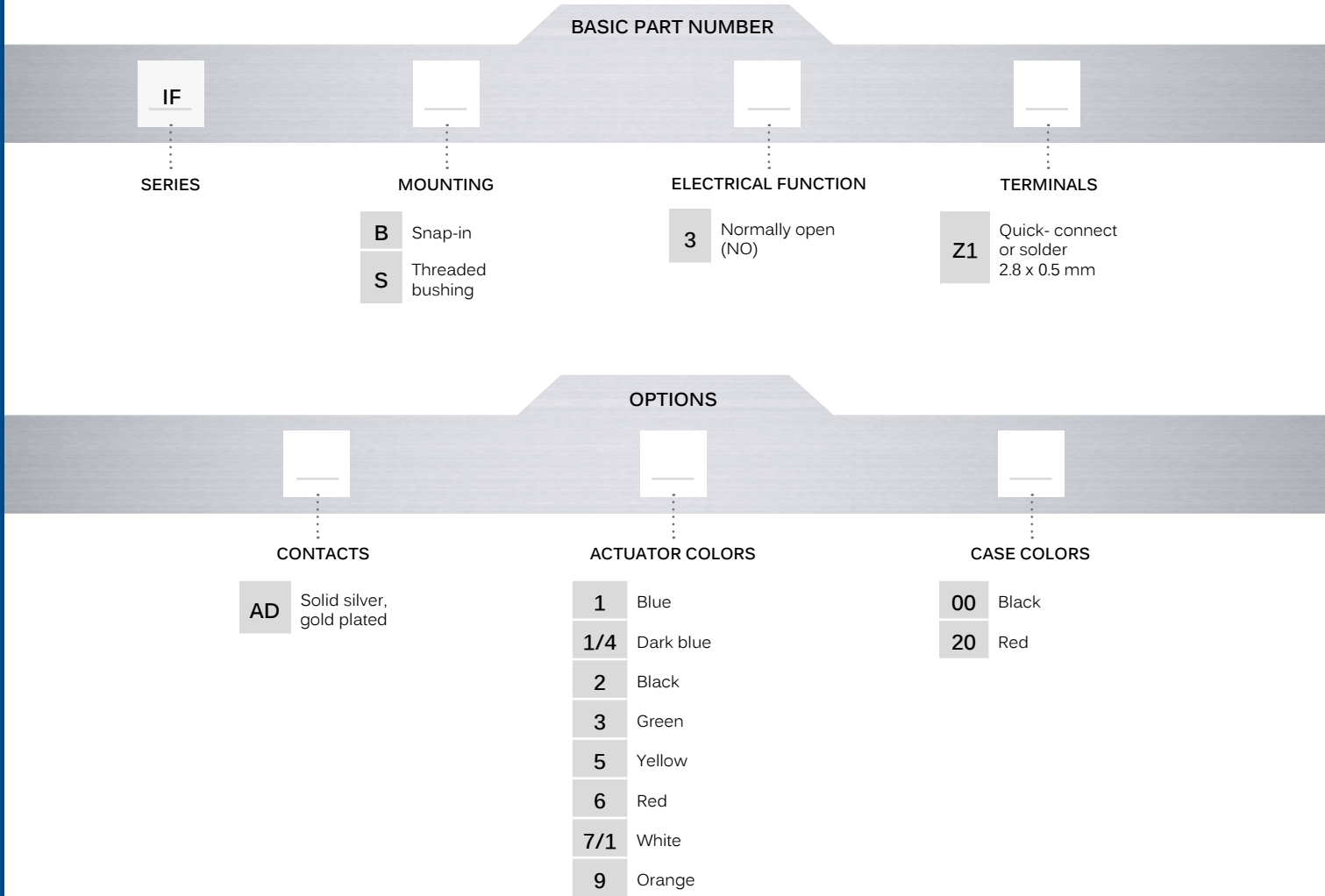
## MATERIALS

- Case : thermoplastic UL94-V0
- Actuator : polyamide 12, rubber filled
- Bushing/bezel : polyamide 6/6
- Contacts : solid silver, gold plated
- Terminal seal : epoxy

# IF series

Sealed pushbutton switches  
with Ø 25 mm actuator • bushing dia. 16 mm

## BUILD YOUR PART NUMBER

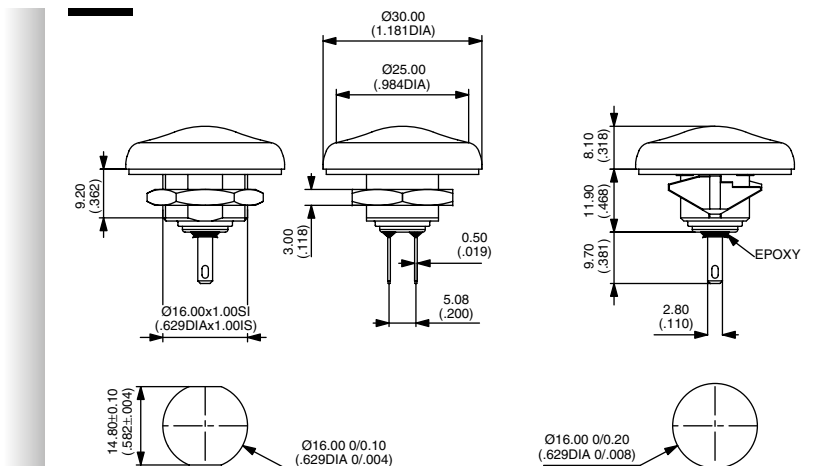
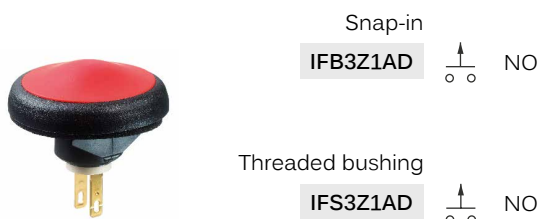


Grey RAL7040 : on request

## ABOUT THIS SERIES

**Mounting accessories** : Standard hardware supplied : 1 flat seal (IFB series), 1 flat seal and 1 hex nut 19 mm (.748) across flats (IFS series) . Hex nut part number : 10-621.

## MODELS



## X-ON Electronics

Largest Supplier of Electrical and Electronic Components

*Click to view similar products for [Pushbutton Switches](#) category:*

*Click to view products by [Apem](#) manufacturer:*

Other Similar products are found below :

[LW1L-M1C10V-A](#) [LW2L-A1C20M-GD](#) [LW2L-M1C20M-A](#) [60324L](#) [M7E-HRN2](#) [67021K512](#) [67081K512X](#) [701PB580](#) [719-5504-000](#)  
[MDPSSGLFS](#) [810KSV30B](#) [FLT 2U EE 01A](#) [MML21KA3ABK](#) [MML23KA3AC05K-001](#) [MML23KW3AA01W](#) [8418K2](#) [8646AB6X718UL](#)  
[8646ABUL](#) [FSDWH](#) [9001KXRK](#) [9001T8BK](#) [9533CD4+U574+U4922](#) [1203MRA](#) [A22EM01S](#) [A595](#) [1202A6](#) [12037A2ULCSA](#) [1203A2UL](#)  
[ABD122N-B](#) [1211390004](#) [ABN111-Y](#) [ABN400-R](#) [1211500044](#) [1211580012](#) [1212MRA](#) [1232A6NF](#) [RA3CSH6A](#) [1241.1183.7047](#)  
[1241.2511](#) [1241.3428](#) [1223A2ULCSA](#) [1223MRA](#) [1232AX2119](#) [1241.1183.8000](#) [1241.1183.8029](#) [1241.2506](#) [1241.2606](#) [12MA6](#)  
[1301940184](#) [RELBARF6X10\(PLASTIC\)](#)