

THIS DRAWING IS UNPUBLISHED. RELEASED FOR PUBLICATION
 © COPYRIGHT - By - ALL RIGHTS RESERVED.

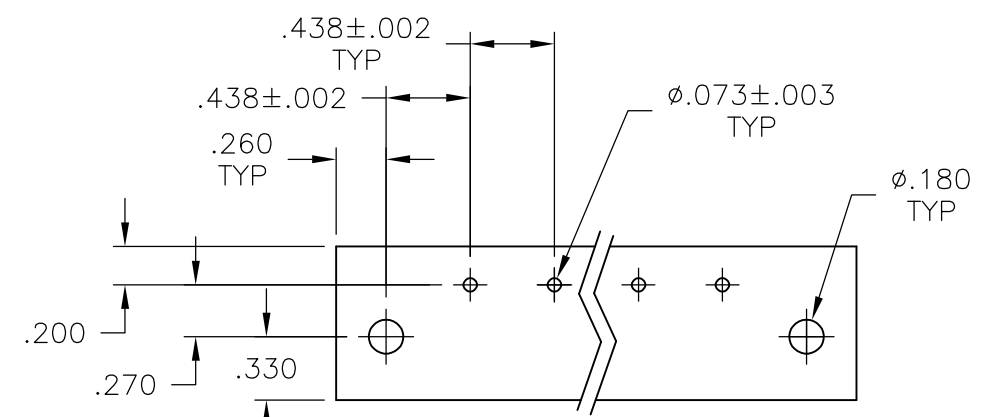
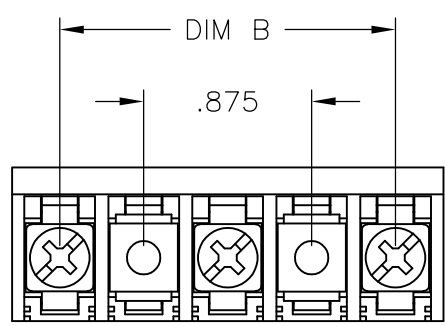
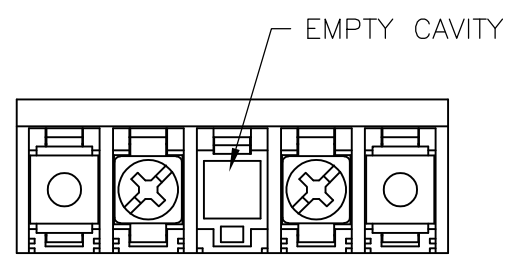
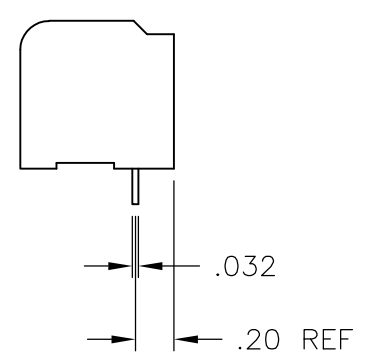
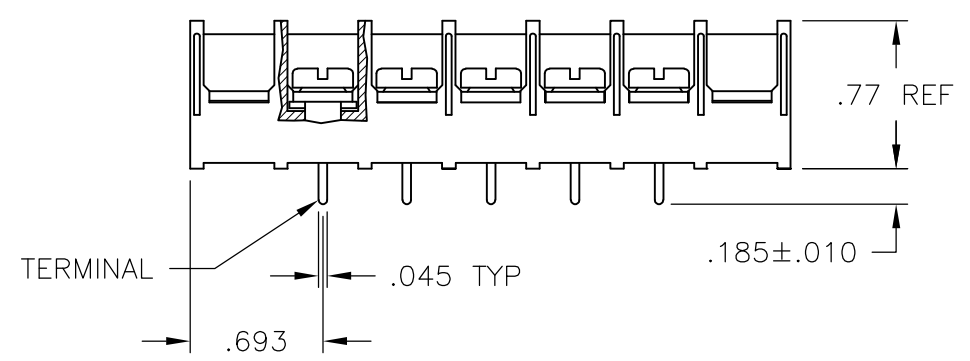
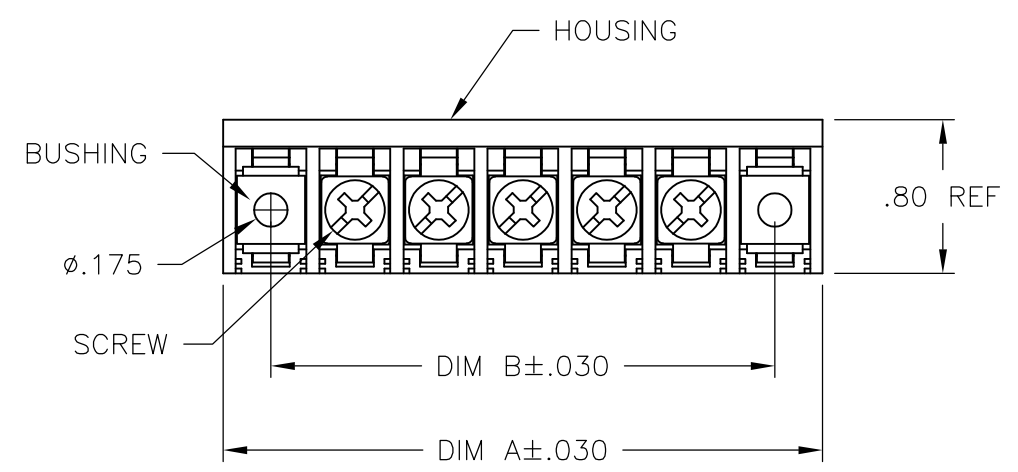
LOC	DIST	REVISIONS					
FT	0	P	LTR	DESCRIPTION	DATE	DWN	APVD
			F2	REVISED PER ECO-11-004820	11MAR11	RK	HMR

MATERIALS:
 HOUSING: THERMOPLASTIC, UL94V-0, BLACK.
 TERMINAL: COPPER ALLOY, PLATING
 BRIGHT TIN OVER NICKEL.
 SCREWS: 8-32 ZINC PLATED STEEL.

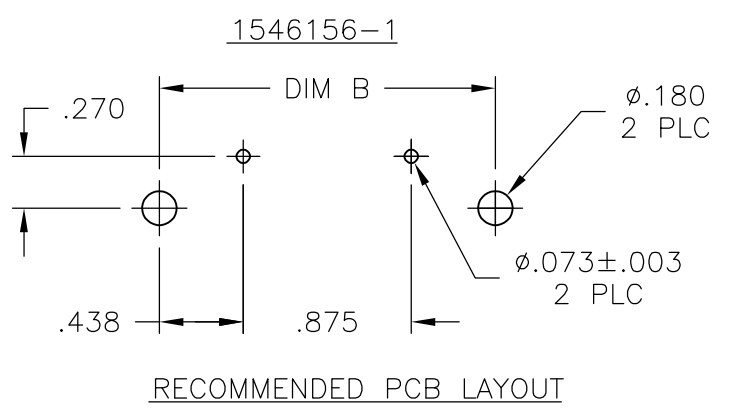
ELECTRICAL:
 CURRENT RATING: 30A
 VOLTAGE RATING: 600V
 WIRE RANGE: 10-18 AWG (UL)
 10-22 AWG (CSA)

MECHANICAL:
 RECOMMENDED TORQUE: 20 IN-LB.
 OPERATING TEMP.: -40°C TO +120°C.

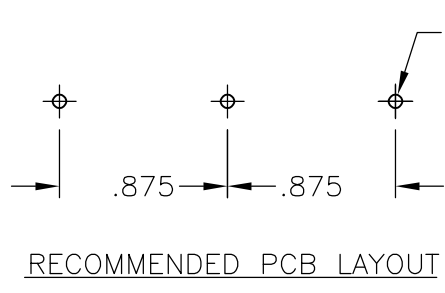
1 SCREWS TO BE BOTTOMED.



RECOMMENDED PCB LAYOUT



RECOMMENDED PCB LAYOUT



RECOMMENDED PCB LAYOUT

THIS DRAWING IS A CONTROLLED DOCUMENT.		DWN	S SCHLEGEL	2/25/03	TE Connectivity NAME 8PCV-XX-008 ASSEMBLY					
DIMENSIONS: INCHES		CHK	H WAKEEM	2/25/03				SIZE		
TOLERANCES UNLESS OTHERWISE SPECIFIED:		APVD	H WAKEEM	2/25/03				CAGE CODE		
0 PLC ± - 1 PLC ± - 2 PLC ± .01 3 PLC ± .005 4 PLC ± - ANGLES ± 1°		PRODUCT SPEC		DRAWING NO						
MATERIAL		APPLICATION SPEC		RESTRICTED TO			SCALE			
FINISH		WEIGHT		A3 00779			SHEET			
		CUSTOMER DRAWING		C-7-1437657-1			1 OF 2			
				REV			F2			


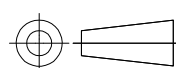
THIS DRAWING IS UNPUBLISHED. RELEASED FOR PUBLICATION
 © COPYRIGHT - By - ALL RIGHTS RESERVED.

LOC	DIST	REVISIONS				
P	LTR	DESCRIPTION	DATE	DWN	APVD	
FT	0	-	SEE SHEET 1	-	-	

DIM B	DIM A	NO OF POS	CATALOG NUMBER	PART NO
8.312	8.822	18	8PCV-18-008	1-1546570-8
7.875	8.385	17	8PCV-17-008	1-1546570-7
7.437	7.947	16	8PCV-16-008	1-1546570-6
7.000	7.510	15	8PCV-15-008	1-1546570-5
6.562	7.072	14	8PCV-14-008	1-1546570-4
6.125	6.635	13	8PCV-13-008	1-1546570-3
5.687	6.197	12	8PCV-12-008	7-1546159-6
5.250	5.760	11	8PCV-11-008	1-1546570-1
4.812	5.322	10	8PCV-10-008	7-1546159-3
4.375	4.885	9	8PCV-09-008	3-796615-1
3.937	4.447	8	8PCV-08-008	2-796615-9
3.500	4.010	7	8PCV-07-008	3-796615-0
3.062	3.572	6	8PCV-06-008	1437658-2
2.625	3.135	5	8PCV-05-008	9-1437657-1
2.187	2.697	4	8PCV-04-008	8-1437657-1
1.750	2.260	3	8PCV-03-534	7-1437657-3
1.750	2.260	3	8PCV-03-008	7-1437657-1
1.312	1.822	2	8PCV-02-SPCL	1546156-1
1.312	1.822	2	8PCV-02-008	1-1437660-6

SEE FIGURE

SEE FIGURE

THIS DRAWING IS A CONTROLLED DOCUMENT.		DWN S SCHLEGEL 2/25/03	 TE Connectivity		
DIMENSIONS: INCHES		CHK H WAKEEM 2/25/03			
		APVD H WAKEEM 2/25/03	8PCV-XX-008 ASSEMBLY		
TOLERANCES UNLESS OTHERWISE SPECIFIED:		PRODUCT SPEC	SIZE		
0 PLC ± -	1 PLC ± -	APPLICATION SPEC	CAGE CODE	DRAWING NO	RESTRICTED TO
2 PLC ± .01	3 PLC ± .005	WEIGHT	A300779	C-7-1437657-1	-
4 PLC ± -	ANGLES ± 1°	MATERIAL	CUSTOMER DRAWING		
FINISH			SCALE	SHEET	REV
-	-		1:1	2 OF 2	F2

X-ON Electronics

Largest Supplier of Electrical and Electronic Components

Click to view similar products for [Barrier Terminal Blocks](#) category:

Click to view products by [TE Connectivity](#) manufacturer:

Other Similar products are found below :

[CTA-0103](#) [6PCR-02-008](#) [6PCR-05-008](#) [6PCR-08-008](#) [6PCR-21-006](#) [6PCV-06-008](#) [6PCV-10-009](#) [6PCV-15-008](#) [6STR-06-006](#) [6STR-08-006](#) [6STR-12-008](#) [6STR-14-008](#) [6STR-16-008](#) [6STR-17-008](#) [6STR-21-008](#) [6STR-25-008](#) [6STR-27-008](#) [6STV-03-006](#) [6STV-03-008](#) [6STV-04-006](#) [6STV-10-006](#) [6WWR-03](#) [6WWV-11-008](#) [6WWV-12-008](#) [6WWV-16-008](#) [7-1546701-0](#) [72212603](#) [72503-C](#) [73203](#) [76007](#) [7606-602LF](#) [77010-50](#) [796985-3](#) [796988-4](#) [7C1N08](#) [8-1437402-5](#) [8-1437402-7](#) [8-1546158-0](#) [870505](#) [870903](#) [8PCR-06-006](#) [8PCV-02-008](#) [8PCV-04-008](#) [8PCV-05-008](#) [8PCV-09-006](#) [8PCV-15-006](#) [8PCV-16-006](#) [8PCV-17-006](#) [8QCR-03-008](#) [8STV-04-006](#)