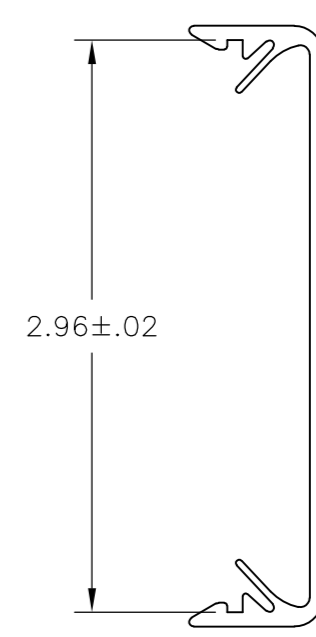
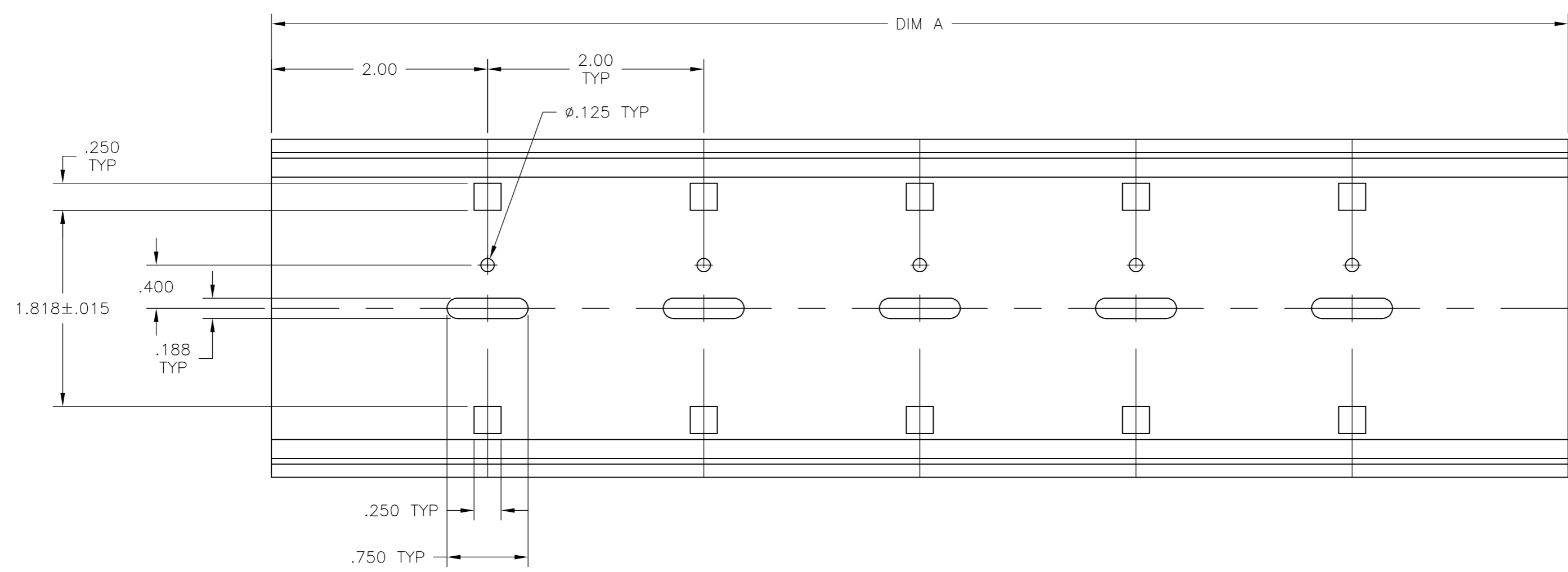


THIS DRAWING IS UNPUBLISHED. RELEASED FOR PUBLICATION  
 © COPYRIGHT - By - ALL RIGHTS RESERVED.

LOC		DIST		REVISIONS			
P	LTR	DESCRIPTION		DATE	DWN	APVD	
	C	REVISED PER ECO-13-011850		13NOV2013	KH	MB	

- 1 ALL DIMENSIONS ARE ±.015 UNLESS OTHERWISE NOTED.
- 2 MATERIAL: RIGID, PVC, COLOR: GRAY
- 3 RECOMMENDED PC BOARD WIDTH 3.00"



	48.00	TK2D-48	9-1437685-1
OBSOLETE	24.00	TK2D-24	8-1437685-9
OBSOLETE	12.00	TK2D-12	8-1437685-8
	DIM A	CATALOG NUMBER	PART NUMBER

THIS DRAWING IS A CONTROLLED DOCUMENT.		DWN	S SCHLEGEL	5/6/09	<b>TE</b> TE Connectivity																	
DIMENSIONS: INCHES		CHK	C RICARD	5/6/09																		
TOLERANCES UNLESS OTHERWISE SPECIFIED:		APVD	C RICARD	5/6/09																		
<table border="0"> <tr><td>0 PLC</td><td>±</td><td>-</td></tr> <tr><td>1 PLC</td><td>±</td><td>-</td></tr> <tr><td>2 PLC</td><td>±</td><td>.02</td></tr> <tr><td>3 PLC</td><td>±</td><td>.005</td></tr> <tr><td>4 PLC</td><td>±</td><td>-</td></tr> <tr><td>ANGLES</td><td>±</td><td>1°</td></tr> </table>		0 PLC	±	-		1 PLC	±	-	2 PLC	±	.02	3 PLC	±	.005	4 PLC	±	-	ANGLES	±	1°	PRODUCT SPEC	
0 PLC	±	-																				
1 PLC	±	-																				
2 PLC	±	.02																				
3 PLC	±	.005																				
4 PLC	±	-																				
ANGLES	±	1°																				
MATERIAL		APPLICATION SPEC		TK2D SNAPTRACK																		
FINISH		WEIGHT	-	SIZE	CAGE CODE	DRAWING NO	RESTRICTED TO															
-		-		A2	00779	C-8-1437685-8	-															
CUSTOMER DRAWING				SCALE	NTS	SHEET	1 of 1															
				REV	C																	

## X-ON Electronics

Largest Supplier of Electrical and Electronic Components

*Click to view similar products for [Terminal Block Tools & Accessories](#) category:*

*Click to view products by [TE Connectivity](#) manufacturer:*

Other Similar products are found below :

[1029563](#) [00171430102](#) [00171420102](#) [014415](#) [CSTSPC1-2](#) [9-1437653-4](#) [928358-1](#) [QC209/J](#) [HCL10-6](#) [1437403-6](#) [1437403-9](#) [1437403-8](#)  
[147832-1](#) [EC0037-000](#) [MT2/H--](#) [MT2/H-32](#) [MT6/H-N](#) [MT6/V-GRND](#) [MT8/H-101-110](#) [BB2-09BF](#) [EP2.5/4UN/BG](#) [1707755](#) [1735590](#)  
[1755480](#) [1760336](#) [BO3-02](#) [1789281](#) [1840227](#) [1840230](#) [1893164](#) [2-1437402-1](#) [2-1437644-9](#) [JB2-09/J](#) [2202307](#) [2204082](#) [2302463](#) [2305949](#)  
[2310581](#) [8TK2-24](#) [91.201.1](#) [L2U2](#) [2778.0](#) [2890137](#) [2901107](#) [2901123](#) [2901699](#) [2MP/J](#) [2MV-06](#) [1705126](#) [1756294](#)