

PART NAME	LARGE NON-METALLIC ENCLOSURE (STYLE C)			PART No.	NBC-10342	NBC-10352	NBC-10372	REV. DATE	9-29-10
-----------	----------------------------------------	--	--	----------	-----------	-----------	-----------	-----------	---------

MATERIAL	FLAMMABILITY RATING	CONTINUOUS OPERATING TEMP.
ABS	UL94-HB	-40°C~+60°C/-40°F~140°F
ABS/PC BLEND	UL94-5VA	-40°C~+85°C/-40°F~185°F
PBT/PC BLEND	UL94-5VA + UV(f1)	-40°C~+75°C/-40°F~167°F

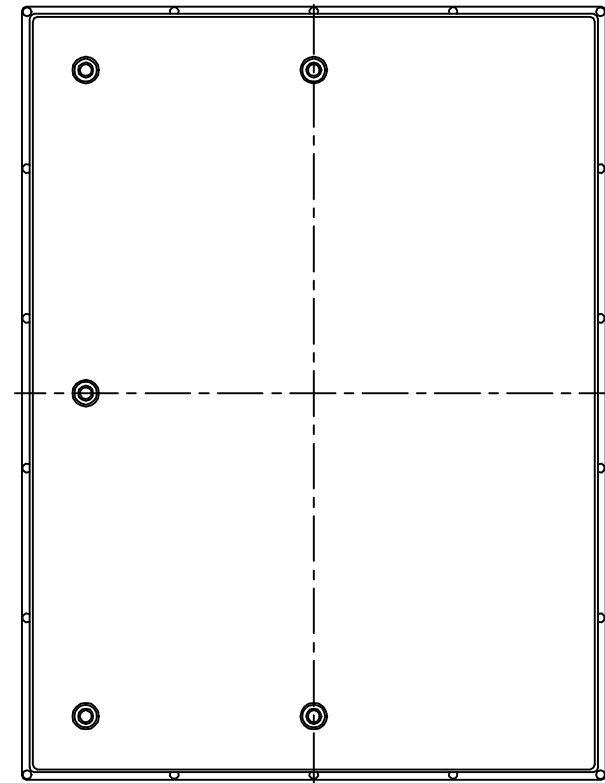
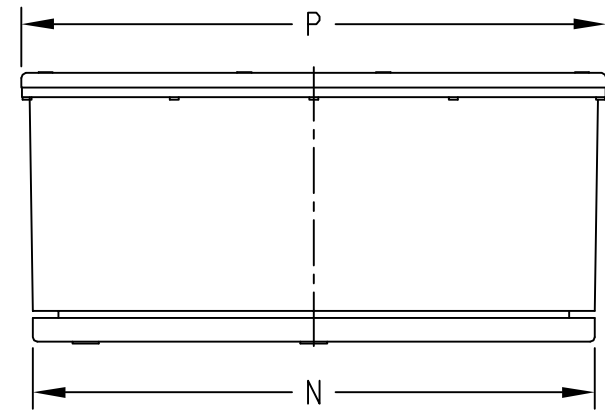
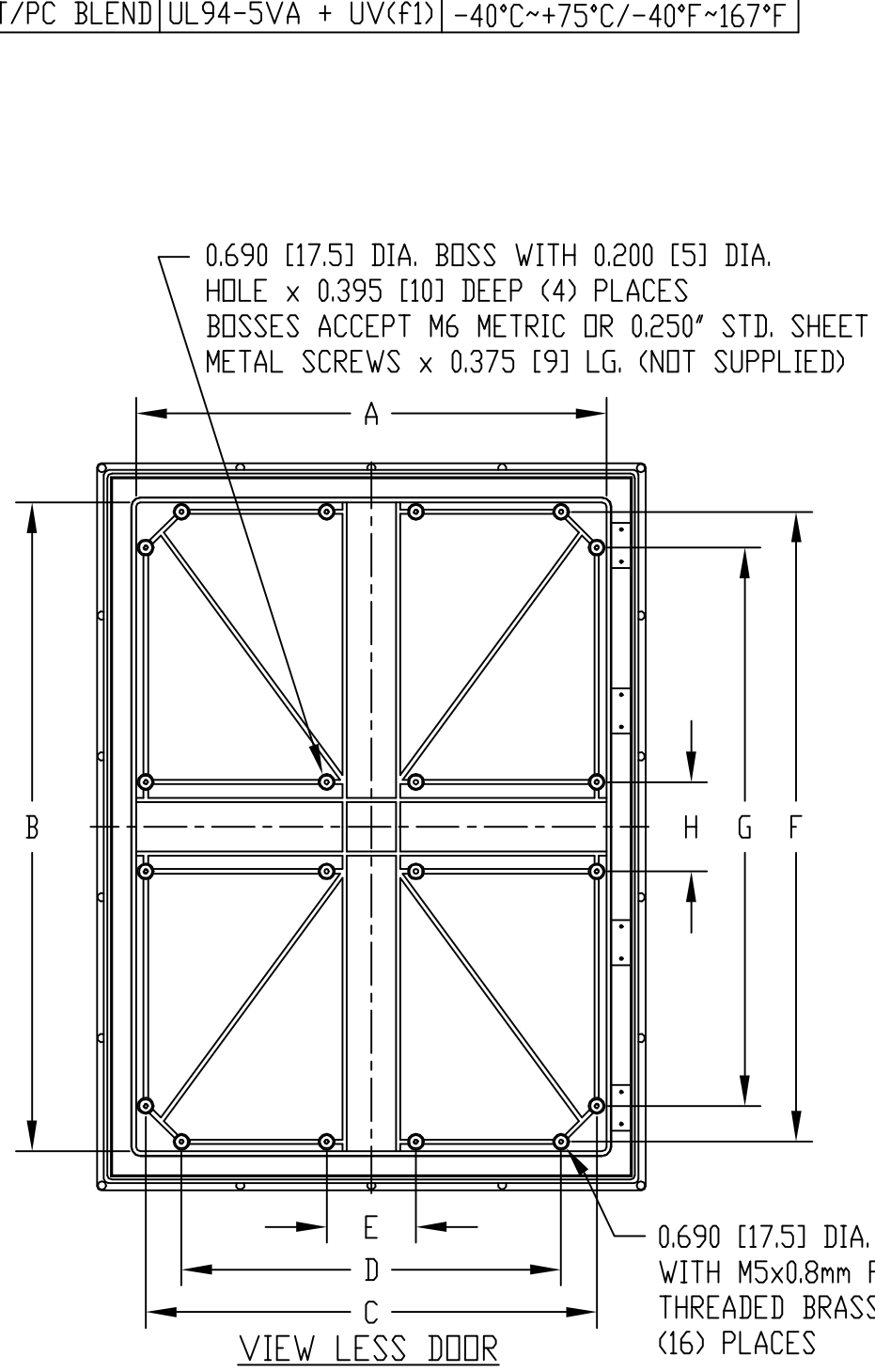
**MATERIAL:**  
 LATCHES, HINGES & PANEL  
 BRACKETS \_\_\_\_\_ NON-METALLIC  
 WALL MOUNTING BRACKETS \_\_\_\_\_ STAINLESS STEEL

UNIT COMES COMPLETE WITH:  
 (8) WALL MOUNTING BRACKETS  
 (20) M5x0.8 x 10mm LG. TRUSS HD. MACHINE SCREWS  
 (8) PANEL BRACKETS  
 (8) M4 x 18mm LG. PAN HD. SELF-TAPPING SCREWS  
 (1) T-HANDLE KEY & (2) DOOR KEYS

**FINISH:**  
 BODY, DOOR, LATCHES, HINGES &  
 PANEL BRACKETS \_\_\_\_\_ LIGHT GRAY

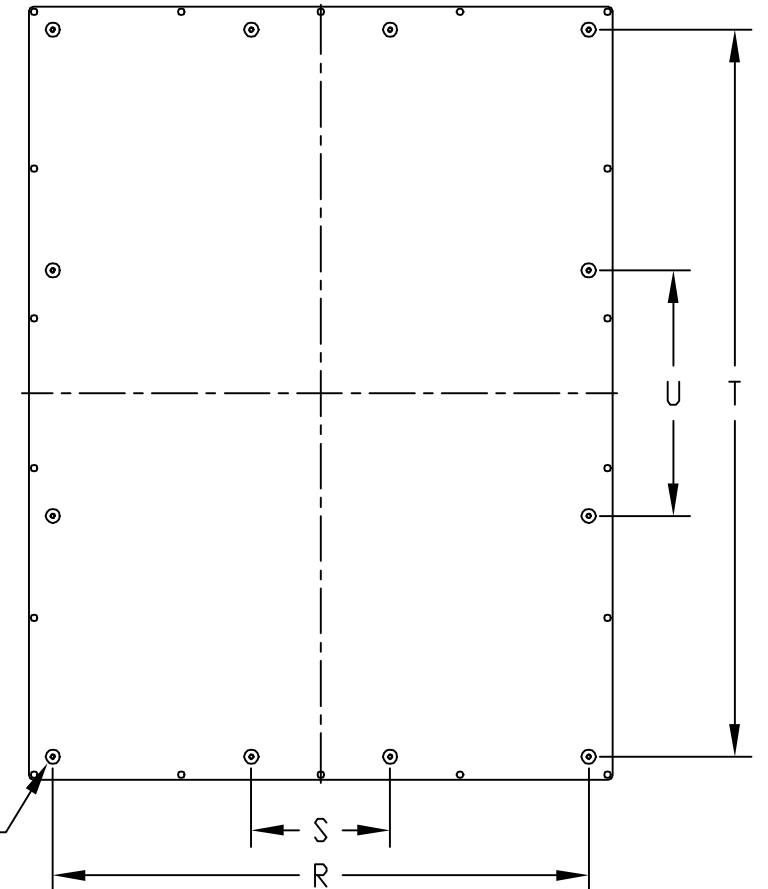
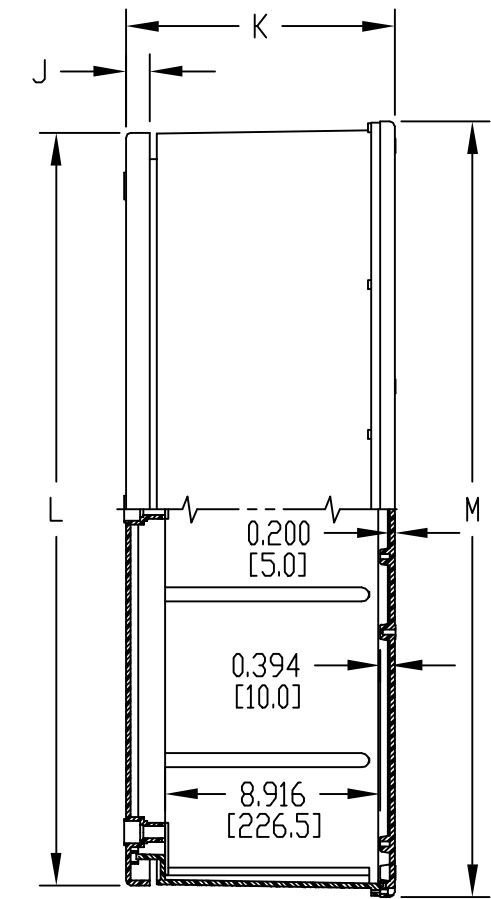
**BOXES DESIGNED TO MEET STANDARDS:**  
 UL508 TYPE 1, 2, 4, 4X INDOOR, 12 & 13  
 NEMA TYPE 1, 2, 4, 4X, 12 & 13  
 AND IEC529-IP66

AIR AND MOISTURE VENTS,  
 STAINLESS STEEL LOCKING HASP,  
 & GALVANIZED STEEL INTERNAL PANEL ARE NOT INCLUDED, BUT CAN BE PURCHASED SEPARATELY.



DOOR INCLUDES GRAY POLYURETHANE GASKET.

DIMENSIONS = INCHES [MILLIMETERS]



NOTE: ALL DIMENSIONS HAVE ±0.039 [±1] TOLERANCE UNLESS OTHERWISE SPECIFIED

PART NO.			DIMENSIONS																	
INDOOR	INDOOR	OUTDOOR	A	B	C	D	E	F	G	H	J	K	L	M	N	P	R	S	T	U
ABS	ABS/PC	PBT/PC	20.740	28.610	19.860	16.703	3.900	27.734	24.562	3.900	0.985	11.125	31.070	32.050	23.225	24.180	22.203	5.750	30.125	10.175
NBC-10342	NBC-10352	NBC-10372	[526.5]	[726.5]	[504]	[424]	[99]	[704]	[623.5]	[99]	[25]	[282]	[789]	[814]	[589.5]	[614]	[563.5]	[146]	[765]	[258]

## X-ON Electronics

Largest Supplier of Electrical and Electronic Components

*Click to view similar products for [Electrical Enclosures](#) category:*

*Click to view products by [Bud Industries](#) manufacturer:*

Other Similar products are found below :

[120-902](#) [120-905](#) [120-403](#) [120-475](#) [120-901](#) [127-410](#) [130-504](#) [130-506](#) [MR-25L+](#) [30-8739](#) [PIP-11774SCREW](#) [30-9715](#) [MR-25LW+](#) [110-407](#) [111-004](#) [111-008](#) [110-402](#) [110-901](#) [110-907](#) [111-002](#) [110-406](#) [110-910](#) [110-404](#) [110-409](#) [110-410](#) [120-405](#) [106-009](#) [106-505](#) [105-401](#) [106-006](#) [104-406](#) [137-002](#) [105-405](#) [111-005](#) [127-909](#) [106-502](#) [130-475](#) [130-503](#) [127-401](#) [106-010](#) [127-455](#) [127-475](#) [110-903](#) [R260-180-300](#) [9511020](#) [9822029](#) [9820014](#) [P61603000P](#) [9823009](#) [R103-164-000](#)