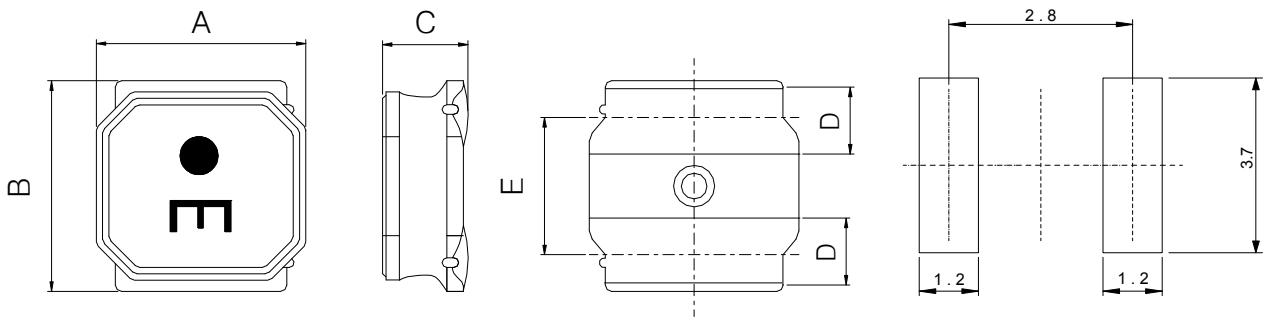


Recommended Land-



(UNIT: mm)

■ Dimensions: (mm)

Part No.	A	B	C	D	E
DJNR 4018-S	4.0 ± 0.2	4.0 ± 0.2	1.8 Max.	1.1 ± 0.2	2.5 ± 0.2

■ Series List

No.	Part No.	L (μ H)	SRF Min. (MHz)	RDC $\pm 20\%$ (Ω)	Isat Max. (mA)	Irms Max. (mA)
1	DJNR 4018-1R0N-S	1.0	90	0.027	4000	3200
2	DJNR 4018-1R5N-S	1.5	75	0.037	3300	2400
3	DJNR 4018-2R2M-S	2.2	60	0.042	3000	2200
4	DJNR 4018-3R3M-S	3.3	45	0.055	2300	2000
5	DJNR 4018-4R7M-S	4.7	35	0.070	2000	1700
6	DJNR 4018-6R8M-S	6.8	30	0.098	1600	1450
7	DJNR 4018-100M-S	10	25	0.150	1300	1200
8	DJNR 4018-150M-S	15	18	0.210	1100	850
9	DJNR 4018-220M-S	22	15	0.290	900	720
10	DJNR 4018-330M-S	33	12	0.460	700	550
11	DJNR 4018-470M-S	47	10	0.650	600	440
12	DJNR 4018-680M-S	68	8	1.000	520	320
13	DJNR 4018-101M-S	100	6.5	1.450	420	280
14	DJNR 4018-151M-S	150	5.5	2.300	340	220
15	DJNR 4018-221M-S	220	4.0	3.800	275	170

1. Test Frequency : 100KHz

2. Tolerance : N \pm 30% ; M \pm 20%

3. Isat : The value of current causes a 30% inductance reduction from initial value.

4. Irms : The value of current causes a 40°C temperature rise.

5. Rated Current: Either Isat or Irms whichever is smaller.

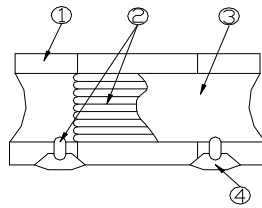
6. Operating Temperature Range : -25°C to +125°C (Including self-temperature rise)

7. Storage Temp. Range: -40°C to +85°C

□ PACKAGE

Type	DJNR 4018-S
Q'TY/Reel	3500

Structural Drawing

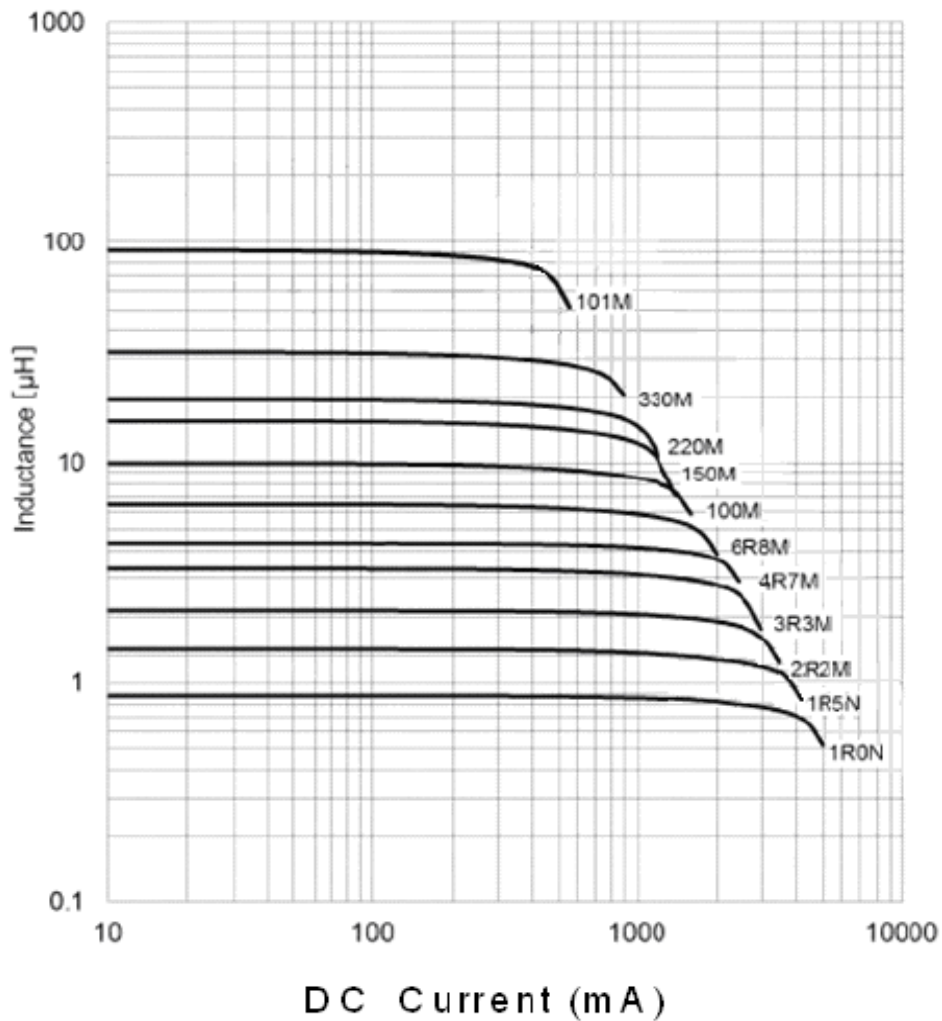


(Magnetic Shielded Type)

- | | | |
|-----------------------|---|----------|
| ① Ferrite core. | Ni-Zn ferrite | |
| ② Winding wire | Polyurethane-copper wire | |
| ③ Over-coating resin. | Epoxy resin, containing ferrite powder | |
| ④ Electrode | External electrode (substrate) | Ag |
| | External electrode (base plating) | Ni-Sn |
| | External electrode (top surface solder coating) | Sn-Ag-Cu |

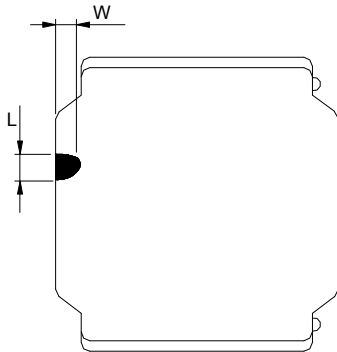
Electrical Curve

Inductance vs. DC Current



■ Core Chipping

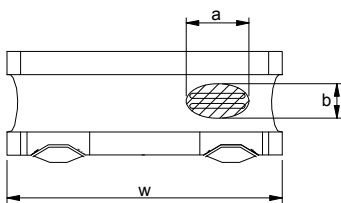
The appearance standard of the chipping size in top side, of bottom side ferrite Core is following dimension



L	W
1.0mmMax.	1.0mmMax.

■ Exposed wire tolerance limit of coating resin part on product side

Size of exposed wire occurring to coating resin is specified below.



- ① Width direction (dimension a): Acceptable when $a \leq w/2$
Nonconforming when $a > w/2$
- ② Length direction (dimension b): Dimension b is not specified.
- ③ When total area of exposed wire occurring to each sides is not greater than 50% of coating resin area, that is acceptable.

X-ON Electronics

Largest Supplier of Electrical and Electronic Components

Click to view similar products for [Ferrite Beads](#) category:

Click to view products by [Ferrocore](#) manufacturer:

Other Similar products are found below :

[2943778301](#) [BMB1J0120BN3JIT](#) [82350120560](#) [0261014605](#) [2643066902](#) [3061000011](#) [2673045901](#) [2643083601](#) [2643074901](#) [4361142521](#)
[4078078621](#) [4078044821](#) [4078033621](#) [CZB2BFTTE121P](#) [BMB2A0120AN2](#) [BMB1J0200BN3JIT](#) [EMI0805R-220](#) [74279250](#) [7427924](#)
[CZB1JGTTD202P](#) [MAF0603GWY551AT000](#) [MAF1005GWZ102AT000](#) [BLM18HE152SH1D](#) [2944778302](#) [BLM02PX600SN1D](#) [SMB2.5-1](#)
[EMI1206R-600](#) [BLM02KX180SN1D](#) [BLM02BC100SN1D](#) [BLM02KX100SN1D](#) [BLM02BB101SN1D](#) [BLM02BC220SN1D](#)
[BLE32PN260SH1L](#) [BLE32PN260SN1L](#) [BLE32PN260SZ1L](#) [74275013](#) [7427503](#) [BLM18HE601SH1D](#) [BLM15BD152SN1D](#)
[BLM15BD152SZ1D](#) [BLE18PS080SZ1D](#) [BLM21PG221BH1D](#) [WLBD1005HCU330TL](#) [BLM21AG471BH1D](#) [BLE18PS080BH1D](#)
[BLM21AG331BH1D](#) [BLM21PG300BH1D](#) [BLM21PG600BH1D](#) [BLM03HB401SZ1D](#) [BLM03HB401SN1D](#)