

SAFETY ORGANIZATIONS

THIS FILTER HAS BEEN FORMALLY RECOGNIZED, CERTIFIED OR APPROVED BY THE LISTED AGENCY. THEREFORE, ALL TEST/REQUIREMENTS SPECIFIED IN THE LATEST REVISION OF THE FOLLOWING AGENCY STANDARDS HAVE BEEN MET:

UL RECOGNIZED: UL 1283
 CSA CERTIFIED: CSA 22.2, #8
 TUV APPROVED: EN60950

OPERATING SPECIFICATIONS

LINE CURRENT/VOLTAGE: 15 AMP/55°C, 80 VDC

LINE FREQUENCY: DC

MAXIMUM LEAKAGE CURRENT,
 EACH LINE TO GROUND: N/A mA @ 120V 60Hz
 N/A mA @ 250V 50Hz

OPERATING AMBIENT TEMP. RANGE: -10°C TO +55°C @ RATED CURRENT, I_r .

IN AN AMBIENT, T_a , HIGHER THAN 55°C, THE MAXIMUM OPERATING CURRENT, I_o , IS AS FOLLOWS:

$$I_o = I_r \sqrt{\frac{85 - T_a}{30}}$$

RELIABILITY SPECIFICATIONS:

STORAGE TEMPERATURE: -40°C TO +85°C
 HUMIDITY: 21 DAYS @ 40°C 95% RH.
 CURRENT OVERLOAD TEST: 6 TIMES I_r FOR 8 SECONDS

TEST SPECIFICATIONS:

INDUCTANCE: 0.451 mH NOMINAL
 CAPACITANCE: (MEASURED @ 1KHz, 0.250VAC MAX., 25°C ± 1°C)
 LINE TO GROUND: 0.093 μ F ± 20%
 LINE TO LINE: 2.024 μ F ± 20%
 DISCHARGE RESISTOR: 0.165M Ω
 L/G AND L/L I.R.
 NO DISCHARGE RESISTOR: 6000M Ω (MIN.) @ 100VDC, 20°C AND 50% RH

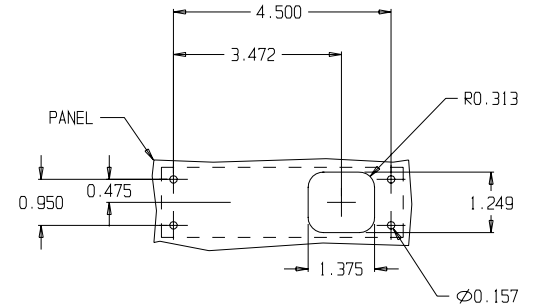
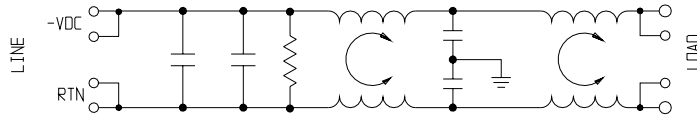
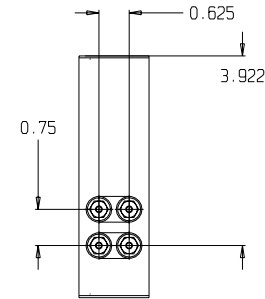
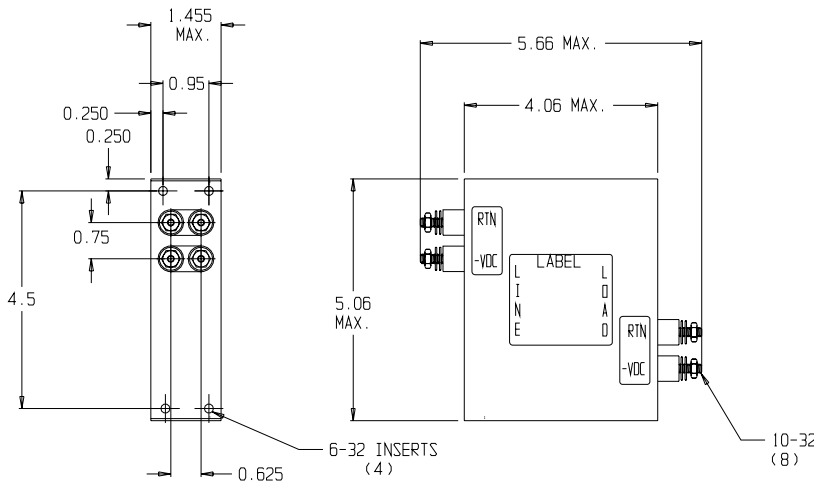
RECOMMENDED RECEIVING INSPECTION HIPOT:

LINE TO GROUND: 2250 VDC FOR 1 MINUTE
 LINE TO LINE: 1450 VDC FOR 1 MINUTE

FILTER APPROVAL:

THE BEST WAY TO SELECT AND QUALIFY A FILTER IS FOR YOUR ENGINEERING TO TEST THE UNIT IN YOUR EQUIPMENT.

CATALOG # 15DCB6		
EC#	APPRVD.	DDMMYY
0631-0093-03		11MAR03

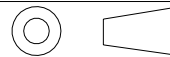


VIEWED FROM FILTER SIDE

50 Ω - 50 Ω (MINIMUM) INSERTION LOSS

FREQUENCY MHz	.01	.05	0.1	.15	0.5	1	3	5	10	30
COMMON dB		1	12	20	41	45	61	63	47	39
DIFF. dB	7	22	27	30	30	36	56	49	38	31

THIRD ANGLE
 PROJECTION



UNLESS OTHERWISE SPECIFIED,
 TOLERANCE TO BE \pm .025
 MATERIAL & FINISH: AS SUPPLIED

This document is proprietary to CORCOM INC. and is not to be reproduced nor used for manufacturing purposes except on CORCOM'S prior written consent.

tyco / **Electronics** **corcom**
 844 E. ROCKLAND RD. LIBERTYVILLE IL 60048

POWER LINE FILTER

CAD FILE: G:\CD\15DCB6B04	TYCO # 2-1609074-1		
SCALE: NTS	DATE: 10-06-00	CATALOG NO.	REV.
DRW. BY: PJD	DRIG: PJD	15DCB6	4

X-ON Electronics

Largest Supplier of Electrical and Electronic Components

Click to view similar products for [Power Line Filters](#) category:

Click to view products by [TE Connectivity](#) manufacturer:

Other Similar products are found below :

[5B1](#) [6609019-3](#) [6609026-5](#) [6609030-6](#) [6609063-2](#) [6609973-2](#) [7-1609090-5](#) [F1500CA06](#) [F7382Z](#) [F7863Z](#) [FAHAV3100ZC000](#) [806276](#)
[FN2020B-1-06](#) [FN2080B-10-06](#) [FN2090A-1-06](#) [FN2410H-32-33](#) [FN2410H-80-34](#) [FN2412H-16-44](#) [FN406B-0.5-02](#) [FN420-1-13](#) [FP144](#) [8-](#)
[6609089-0](#) [12-MMB-030-11-D](#) [B84144A90R120](#) [20B1](#) [RSEL-2001A](#) [2B1](#) [LP183](#) [1-6609070-1](#) [F1500CA10](#) [1B1](#) [FN2020A-10-06](#)
[FN2020B-3-06](#) [FN2060A-3-06](#) [FN2070A-16-06](#) [FN2070B-16-08](#) [FN2090B-12-06](#) [FN2090Z-1-06](#) [FN2410H-25-33](#) [FN2410H-60-34](#)
[FN2410H-8-44](#) [FN2412H-25-33](#) [FN2412H-8-44](#) [FN610R-3-06](#) [20EHZ7](#) [20K1](#) [30B6](#) [30BCF10R](#) [3K1](#) [4-6609089-0](#)