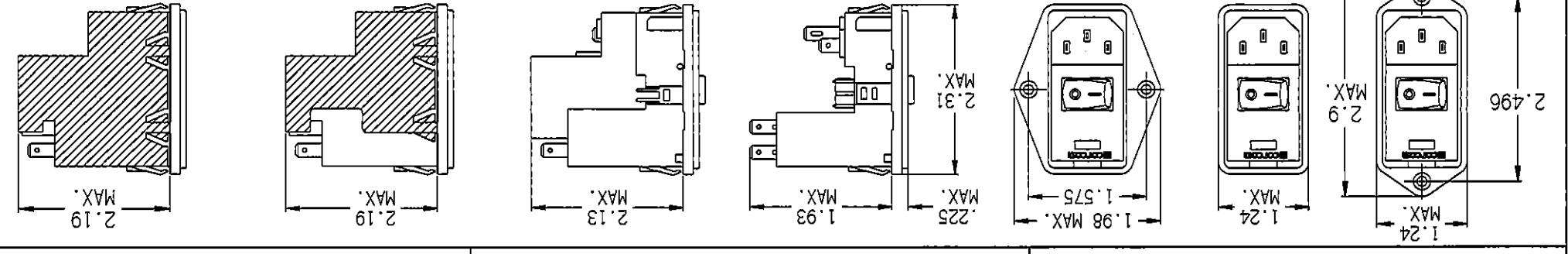
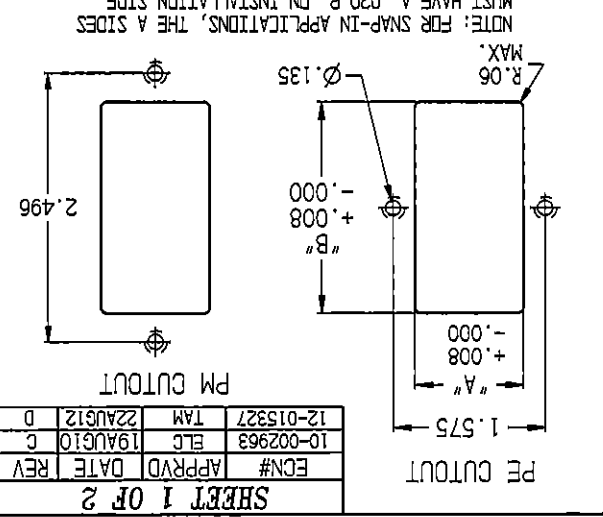
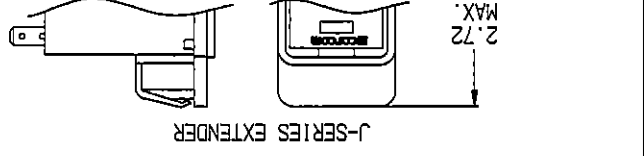
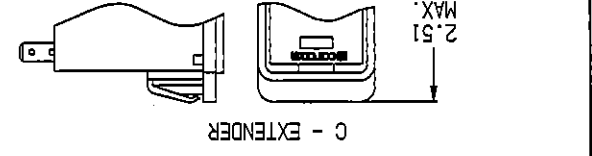


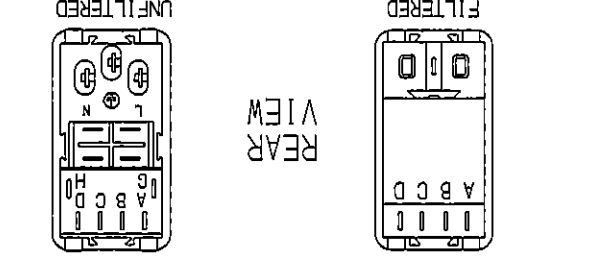
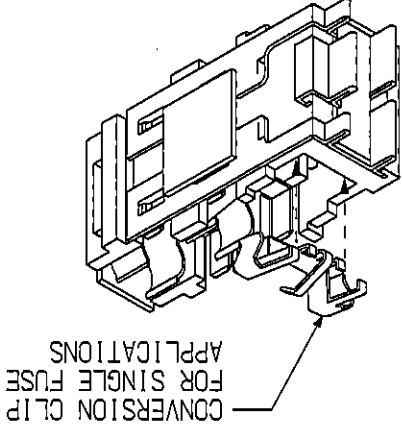
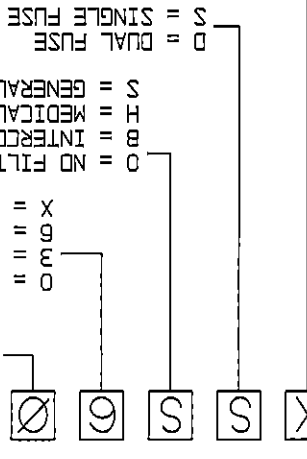
MINIMUM INSERTION LOSS IN DB  
LINE TO GROUND IN 50 OHM CIRCUIT

MINIMUM INSERTION LOSS IN DB  
LINE TO LINE IN 50 OHM CIRCUIT

CURRENT	FREQUENCY MHZ			CURRENT	FREQUENCY MHZ			STYLE	DIMENSION 'A'			DIMENSION B		
	0.15	0.5	1		3	5	10		30	0.15	0.5		1	3
H MODELS														
3 AMP	21	27	30	29	26	23	15	4	12	18	31	40	48	41
6 AMP	11	15	17	19	18	16	13	4	12	16	26	35	40	35
10 AMP	5	8	10	12	11	11	10	4	12	16	26	33	40	32
S MODELS														
3 AMP	21	27	33	40	44	50	32	4	12	15	30	48	50	45
6 AMP	12	17	23	32	36	44	30	4	12	15	22	42	55	45
10 AMP	5	10	13	23	27	35	27	4	12	15	22	42	55	45
* FOR PANEL THICKNESS OF 0.031" - 0.079" ONLY.														
USE 2.213 FOR PANEL THICKNESS OF 0.083" - 0.114"														
PS														
PSC														
PSJ														
PM														
PE														
PSL														
PS														



- 0 = SINGLE VOLTAGE
- S = DUAL VOLT. SELECT (SMP)
- X = DUAL VOLT. SELECT (SERIES/PARALLEL)
- 0 = BLANK
- S = DOUBLE POLE
- SINGLE THROW
- 0 = NONE
- L = FN260
- L = J SERIES
- L = L SERIES
- 0 = NO FILTER
- 0 = NO FILTER
- 3 = 3 AMP
- 6 = 6 AMP
- X = 10 AMP
- 0 = NO FILTER
- 0 = NO SHIELD
- A = FILTER SHIELD
- B = COMPLETE SHIELD
- E = SEE VIEW ABOVE
- S = SEE VIEW
- M = SEE VIEW
- 0 = NONE
- L = J SERIES
- L = L SERIES
- 0 = BLANK
- S = DOUBLE POLE
- SINGLE THROW
- 0 = SINGLE VOLTAGE
- S = DUAL VOLT. SELECT (SMP)
- X = DUAL VOLT. SELECT (SERIES/PARALLEL)



**Tyco Electronics**  
CUSTOMER DRAWING  
P-SERIES

CONCOM PRODUCTS, 620 S. BUTTERFIELD RD., MUNDLEIN IL 60060

TYCO ELECTRONICS PART NO.

SCALE: 1:2  
DATE: 2-4-97  
DRG. BY: [REDACTED]

REVISIONS:  
REV. 1: 12-015327 TAM 22AUG12 D  
REV. 2: 10-002963 ELC 19AUG10 C  
REV. 3: [REDACTED] [REDACTED] [REDACTED]

SHEET SIZE  
THIRD ANGLE PROJECTION

THIS INFORMATION IS CONFIDENTIAL AND PROPRIETARY TO TYCO ELECTRONICS CORPORATION AND ITS WORLDWIDE SUBSIDIARIES AND AFFILIATES. IT MAY NOT BE DISCLOSED TO ANYONE OTHER THAN TYCO ELECTRONICS PERSONNEL, WITHOUT WRITTEN AUTHORIZATION FROM TYCO ELECTRONICS CORPORATION.  
HARRISBURG, PENNSYLVANIA USA.



THIS INFORMATION IS CONFIDENTIAL AND PROPRIETARY TO TYCO ELECTRONICS CORPORATION AND ITS WORLDWIDE SUBSIDIARIES AND AFFILIATES. IT MAY NOT BE DISCLOSED TO ANYONE OTHER THAN TYCO ELECTRONICS PERSONNEL, WITHOUT WRITTEN AUTHORIZATION FROM TYCO ELECTRONICS CORPORATION, HARRISBURG, PENNSYLVANIA USA.

SCALE: NA  
DATE: 2/4/97  
DRG: REV. BY:

P-SERIES  
DRAWING NUMBER:

REV. D

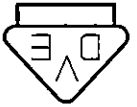
TYCO ELECTRONICS PART NO.

CUSTOMER DRAWING  
P-SERIES

CORCOM PRODUCTS, 620 S. BUTTERNUT RD., MUNDLEIN, IL 60060



UL RECOGNIZED  
CSA CERTIFIED  
VDE APPROVED



THIS FILTER HAS BEEN FORMALLY RECOGNIZED, CERTIFIED OR APPROVED BY THE LISTED AGENCY. THEREFORE, ALL TEST/REQUIREMENTS SPECIFIED IN THE LATEST REVISION OF THE FOLLOWING AGENCY STANDARDS HAVE BEEN MET:

SAFETY ORGANIZATIONS

TERMINALS: FOUR 0.187" x 0.032" QUICK CONNECT TABS  
ONE SOLDER TERMINAL

GENERAL NOTES:  
CONVERSION CLIP PROVIDED ON FUSEHOLDER FOR SINGLE FUSE MODELS.  
SWITCH: DOUBLE INSULATED RATED FOR 10,000 OPERATIONS AT FULL LOAD.  
51 AMP INRUSH CAPABILITY.  
51 AMP INRUSH CAPABILITY.



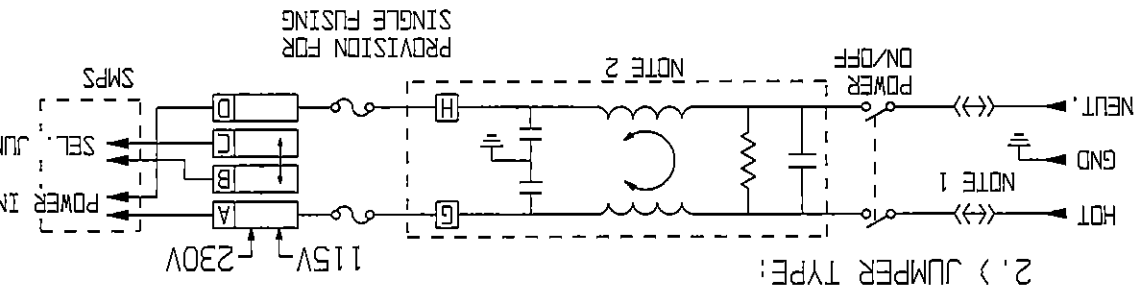
H MODEL



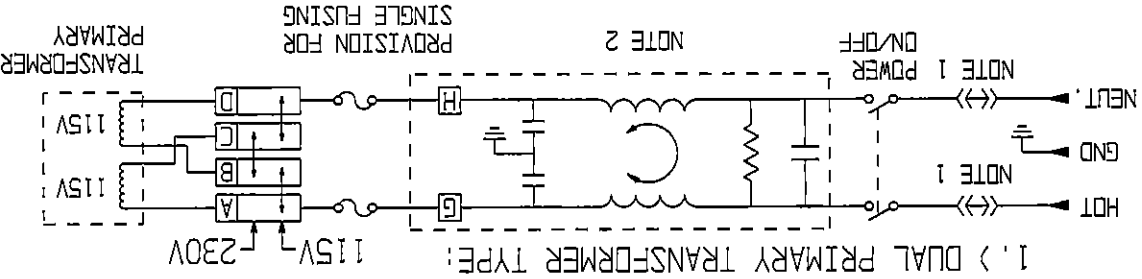
S MODEL

SEE INDIVIDUAL CUSTOMER DRAWINGS FOR OTHER (L AND Z) P-SERIES VERSIONS.

NOTE 1: JUMPERS ARE REQUIRED IF A FILTER OR INTERCONNECTION MODULE IS NOT USED.  
NOTE 2: LOCATION OF OPTIONAL FILTER, JUMPERS ARE REQUIRED IF A FILTER OR INTERCONNECTION MODULE IS NOT USED.



2.) JUMPER TYPE:



1.) DUAL PRIMARY TRANSFORMER TYPE:

RATED CURRENT, I<sub>R</sub>:

10A @ 120 VAC  
10A @ 250 VAC

NONFILTERED MODELS

FILTERED MODELS

MAXIMUM LEAKAGE CURRENT, EACH LINE TO GROUND:  
H MODELS 2µA @ 120 VAC 60Hz;  
S MODELS 0.25m @ 120 VAC 60Hz;  
H MODELS 5µA @ 250 VAC 50Hz;  
S MODELS 0.50m @ 250 VAC 50Hz;  
RATED CURRENT, I<sub>R</sub>:  
3, 6 & 10 AMP MODELS AVAILABLE

HIPOT RATING (ONE MINUTE):  
1500 VAC  
LINE TO GROUND:  
1450 VDC  
OPERATING FREQUENCY:  
50/60 Hz  
RATED VOLTAGE:  
120/250 VAC  
OPERATING VOLTAGES:  
115/230 VAC  
SELECTABLE FUSEHOLDER ACCEPTS 1 OR 2 FUSES  
1/4" x 1-1/4" OR 5 x 20mm  
OPERATING AMBIENT TEMP.:  
-10°C TO +40°C  
STORAGE TEMPERATURE:  
-40°C TO +85°C  
HUMIDITY:  
21 DAYS, 40°C @ 95% RH.  
CURRENT OVERLOAD TEST:  
6 TIMES I<sub>R</sub> FOR 8 SECONDS

SPECIFICATIONS

## X-ON Electronics

Largest Supplier of Electrical and Electronic Components

*Click to view similar products for [AC Power Entry Modules](#) category:*

*Click to view products by [TE Connectivity](#) manufacturer:*

Other Similar products are found below :

[0098.0050](#) [6-1609987-9](#) [6167.0002](#) [7-6609955-2](#) [FN389-4-22](#) [FN9233ER-12-06](#) [FN9233S1-10-06](#) [FN9233S1-8-06](#) [FN9233S1B-8-06](#)  
[FN9233S1R-1-06](#) [FN9233S1R-12-06](#) [FN9233SB-1-06](#) [FN9233SB-12-06](#) [FN9233SB-8-06](#) [FN9233SR-10-06](#) [FN9233SR-3-06](#) [FN9244B-15-06](#)  
[HI](#) [FN9244EB-3-06](#) [FN9244EB-8-06](#) [FN9244ER-15-06](#) [FN9244ER-8-06](#) [FN9244ES1-8-06](#) [FN9244ESB-8-06](#) [FN9244EU-6-06](#)  
[FN9244R-12-06](#) [FN9244R-3-07](#) [FN9244R-8-06](#) [FN9244S1-10-06](#) [FN9244S1-12-06](#) [FN9244S1-3-06](#) [FN9244S1B-6-06](#) [FN9244S1R-3-06](#)  
[FN9244S-6-06](#) [FN9244SB-10-06](#) [FN9244SB-6-06](#) [FN9244SB-8-06](#) [FN9244SR-10-06](#) [FN9244SR-6-06](#) [FN9244U-3-06](#) [FN9244U-8-06](#)  
[FN9260A-6-06](#) [PE00SSSXB](#) [Fuse-H-EUR-1](#) [Fuse-H-USA-1](#) [PM00XD000](#) [PS0SSDBX0](#) [PS0SXSH3B](#) [A-0701-HT-H](#) [RAPC3FG](#) [15EJMS8](#)