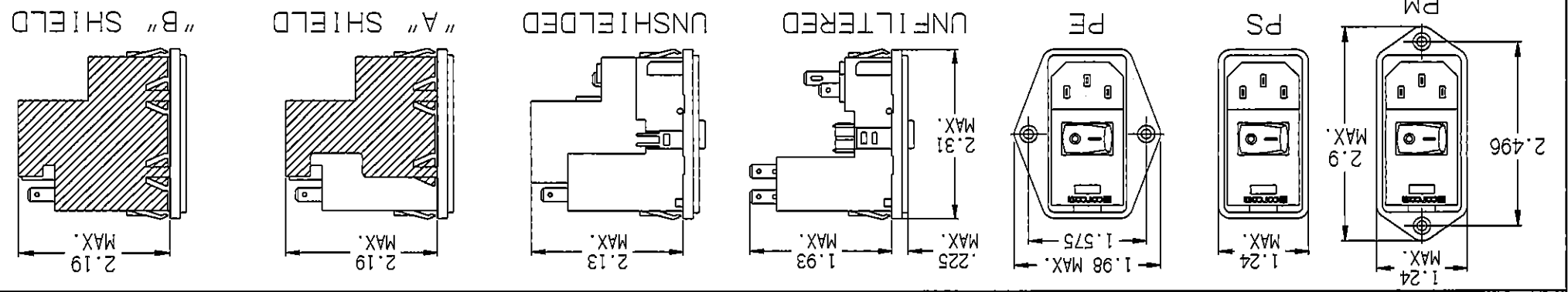
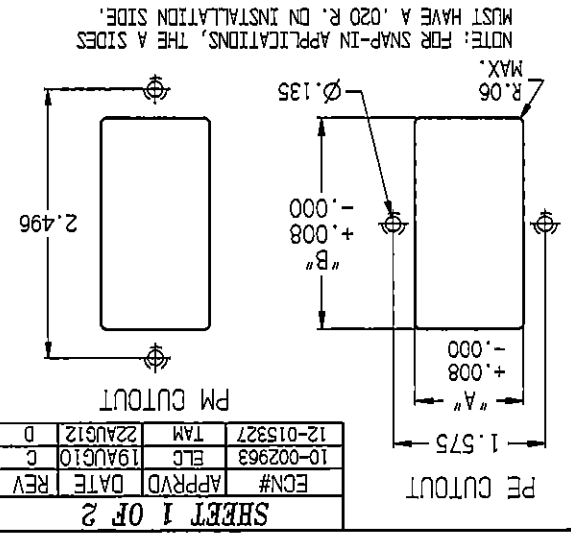
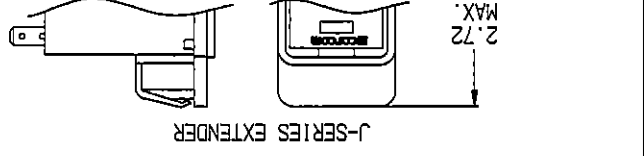
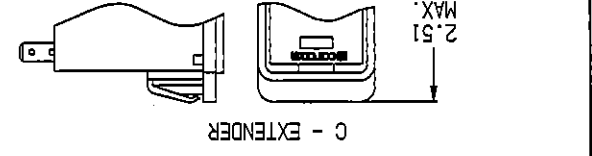


MINIMUM INSERTION LOSS IN DB  
LINE TO GROUND IN 50 OHM CIRCUIT

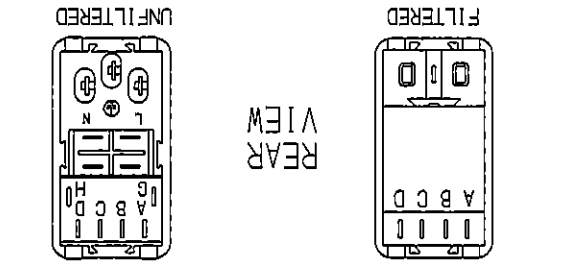
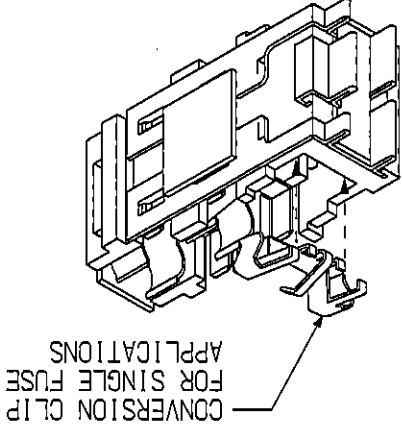
MINIMUM INSERTION LOSS IN DB  
LINE TO LINE IN 50 OHM CIRCUIT

CURRENT	FREQUENCY MHZ			CURRENT	FREQUENCY MHZ			STYLE	DIMENSION 'A'			DIMENSION B		
	0.15	0.5	1		3	5	10		30	0.15	0.5		1	3
H MODELS														
3 AMP	21	27	30	29	26	23	15	4	12	18	31	40	48	41
6 AMP	11	15	17	19	18	16	13	4	12	16	26	35	40	35
10 AMP	5	8	10	12	11	11	10	4	12	16	26	33	40	32
S MODELS														
3 AMP	21	27	33	40	44	50	32	4	12	15	30	48	50	45
6 AMP	12	17	23	32	36	44	30	4	12	15	22	42	55	45
10 AMP	5	10	13	23	27	35	27	4	12	15	22	42	55	45
* FOR PANEL THICKNESS OF 0.031" - 0.079" ONLY.														
USE 2.213 FOR PANEL THICKNESS OF 0.083" - 0.114"														
PS														
PSC														
PSJ														
PM														
PE														
PSL														
PS														



- MOUNTING STYLE
- E = SEE VIEW ABOVE
- S = SEE VIEW
- M = SEE VIEW
- O = NONE
- L = FN260
- L = J SERIES
- L = L SERIES
- O = BLANK
- S = DOUBLE POLE
- S = SINGLE THROW
- 0 = SINGLE VOLTAGE
- S = DUAL VOLT. SELECT (SMP)
- X = DUAL VOLT. SELECT (SERIES/PARALLEL)

- 0 = NO FILTER
- 0 = NO FILTER
- 3 = 3 AMP
- 6 = 6 AMP
- X = 10 AMP
- 0 = NO SHIELD
- A = FILTER SHIELD
- B = COMPLETE SHIELD
- 0 = NO INTERCONNECTION BLOCK
- H = MEDICAL FILTER
- S = GENERAL PURPOSE
- D = DUAL FUSE
- S = SINGLE FUSE



**Tyco Electronics**  
 CUSTOMER DRAWING  
 CONCOM PRODUCTS, 620 S. BUTTERFIELD RD., WUNDELEIN IL 60060

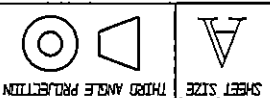
SCALE: 1:2  
 DATE: 2-4-97  
 DRW. BY: [REDACTED]  
 REV. [REDACTED]

TYPD ELECTRONICS PART NO. P-SERIES

THIS INFORMATION IS CONFIDENTIAL AND PROPRIETARY TO TYCO ELECTRONICS CORPORATION AND ITS WORLDWIDE SUBSIDIARIES AND AFFILIATES. IT MAY NOT BE DISCLOSED TO ANYONE OTHER THAN TYCO ELECTRONICS PERSONNEL, WITHOUT WRITTEN AUTHORIZATION FROM TYCO ELECTRONICS CORPORATION.  
 HARRISBURG, PENNSYLVANIA USA.

SHEET SIZE  
 THIRD ANGLE PROJECTION

ECN#	APPRD	DATE	REV
10-002963	ELC	19AUG10	C
12-015327	TAM	22AUG12	D



THIS INFORMATION IS CONFIDENTIAL AND PROPRIETARY TO TYCO ELECTRONICS CORPORATION AND ITS WORLDWIDE SUBSIDIARIES AND AFFILIATES. IT MAY NOT BE DISCLOSED TO ANYONE OTHER THAN TYCO ELECTRONICS PERSONNEL, WITHOUT WRITTEN AUTHORIZATION FROM TYCO ELECTRONICS CORPORATION, HARRISBURG, PENNSYLVANIA USA.

SCALE: NA  
DATE: 2/4/97  
DRG: P-SERIES  
REV: D

TYCO ELECTRONICS PART NO. P-SERIES  
 CUSTOMER DRAWING P-SERIES  
 CORCOM PRODUCTS, 620 S. BUTTERNUT RD., MUNDLEIN, IL 60060  
**Tyco Electronics**

UL RECOGNIZED  
CSA CERTIFIED  
VDE APPROVED



THIS FILTER HAS BEEN FORMALLY RECOGNIZED, CERTIFIED OR APPROVED BY THE LISTED AGENCY. THEREFORE, ALL TEST/REQUIREMENTS SPECIFIED IN THE LATEST REVISION OF THE FOLLOWING AGENCY STANDARDS HAVE BEEN MET:

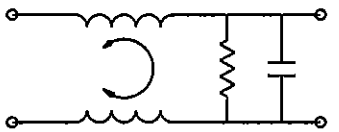
**SAFETY ORGANIZATIONS**

GENERAL NOTES:  
CONVERSION CLIP PROVIDED ON FUSEHOLDER FOR SINGLE FUSE MODELS.  
SWITCH: DOUBLE INSULATED RATED FOR 10,000 OPERATIONS AT FULL LOAD.  
51 AMP INRUSH CAPABILITY.  
TERMINALS: FOUR 0.187" x 0.032" QUICK CONNECT TABS  
ONE SOLDER TERMINAL

SEE INDIVIDUAL CUSTOMER DRAWINGS FOR OTHER (L AND Z) P-SERIES VERSIONS.

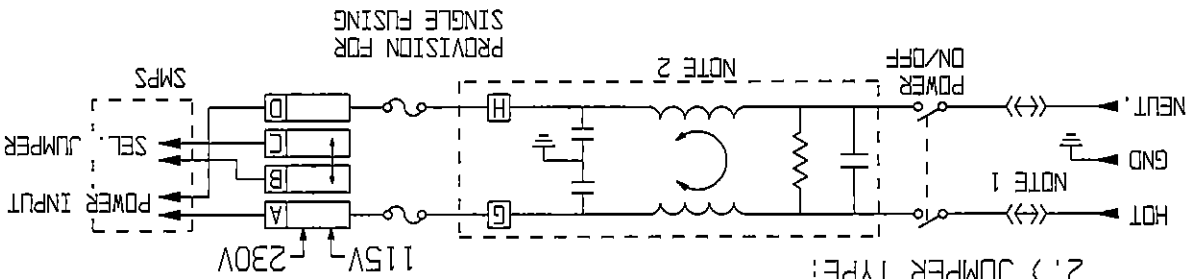


S MODEL

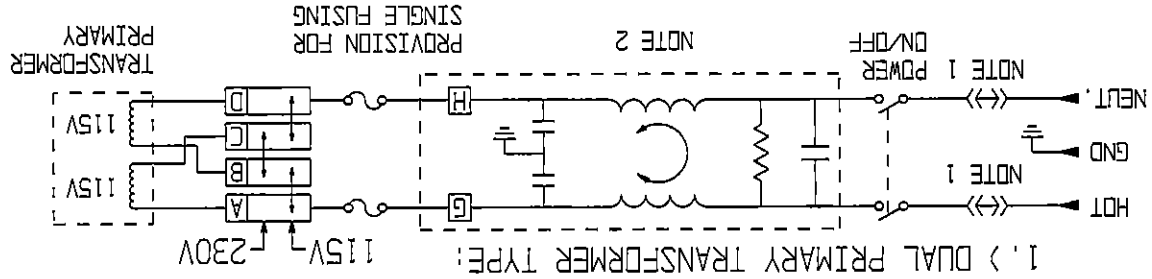


H MODEL

NOTE 1: JUMPERS ARE REQUIRED IF A FILTER OR INTERCONNECTION MODULE IS NOT USED.  
NOTE 2: LOCATION OF OPTIONAL FILTER, JUMPERS ARE REQUIRED IF A FILTER OR INTERCONNECTION MODULE IS NOT USED.



2.) JUMPER TYPE:



1.) DUAL PRIMARY TRANSFORMER TYPE:

RATED CURRENT, I<sub>R</sub>:

3, 6 & 10 AMP  
MODELS AVAILABLE

@ 250 VAC 50Hz:

S MODELS 0.50mA  
H MODELS 51A

@ 120 VAC 60Hz:

H MODELS 27A  
S MODELS 0.25mA

MAXIMUM LEAKAGE CURRENT, EACH LINE TO GROUND

**NONFILTERED MODELS**

RATED CURRENT, I<sub>R</sub>:

10A @ 120 VAC  
10A @ 250 VAC

**FILTERED MODELS**

HIPOT RATING (ONE MINUTE):  
LINE TO GROUND: 1500 VAC  
LINE TO LINE: 1450 VDC  
OPERATING FREQUENCY: 50/60 Hz  
RATED VOLTAGE: 120/250 VAC  
OPERATING VOLTAGES: 115/230 VAC  
SELECTABLE FUSEHOLDER ACCEPTS 1 OR 2 FUSES  
OR 5 x 20mm  
OPERATING AMBIENT TEMP.: -10°C TO +40°C  
STORAGE TEMPERATURE: -40°C TO +85°C  
HUMIDITY: 21 DAYS, 40°C @95% RH.  
CURRENT OVERLOAD TEST: 6 TIMES I<sub>R</sub> FOR 8 SECONDS

## X-ON Electronics

Largest Supplier of Electrical and Electronic Components

*Click to view similar products for [AC Power Entry Modules](#) category:*

*Click to view products by [TE Connectivity](#) manufacturer:*

Other Similar products are found below :

[0098.0050](#) [6-1609987-9](#) [6167.0002](#) [7-6609955-2](#) [FN389-4-22](#) [FN9233ER-12-06](#) [FN9233S1-10-06](#) [FN9233S1-8-06](#) [FN9233S1B-8-06](#)  
[FN9233S1R-1-06](#) [FN9233S1R-12-06](#) [FN9233SB-1-06](#) [FN9233SB-12-06](#) [FN9233SB-8-06](#) [FN9233SR-10-06](#) [FN9233SR-3-06](#) [FN9244B-15-06](#)  
[HI](#) [FN9244EB-3-06](#) [FN9244EB-8-06](#) [FN9244ER-15-06](#) [FN9244ER-8-06](#) [FN9244ES1-8-06](#) [FN9244ESB-8-06](#) [FN9244EU-6-06](#)  
[FN9244R-12-06](#) [FN9244R-3-07](#) [FN9244R-8-06](#) [FN9244S1-10-06](#) [FN9244S1-12-06](#) [FN9244S1-3-06](#) [FN9244S1B-6-06](#) [FN9244S1R-3-06](#)  
[FN9244S-6-06](#) [FN9244SB-10-06](#) [FN9244SB-6-06](#) [FN9244SB-8-06](#) [FN9244SR-10-06](#) [FN9244SR-6-06](#) [FN9244U-3-06](#) [FN9244U-8-06](#)  
[FN9260A-6-06](#) [PE00SSSXB](#) [Fuse-H-EUR-1](#) [Fuse-H-USA-1](#) [PM00XD000](#) [PS0SSDBX0](#) [PS0SXSH3B](#) [A-0701-HT-H](#) [RAPC3FG](#) [15EJMS8](#)