

# 50-150 Watts

## AEH10-30

Total Power: 50-150 Watts  
 Input Voltages: 24V,48V  
 No. of Outputs: Single



### Special Features

- Industry standard pin-out & performance 100°C baseplate temperature (no derating)
- Positive and negative enable function
- Low output ripple and noise
- Remote sense compensation
- Regulation to zero load
- Fixed frequency switching (330 kHz)

### Environmental

Operating case temperature range:  
 -40°C to +100°C  
 Storage temperature: -55°C to +125°C  
 MTBF: >2 million hours

### Safety

UL UL1950  
 CSA CSA22.2-950  
 TUV EN60950

### Electrical Specs

#### Input

Input range 36-75 VDC  
 Input Surge 100V / 100ms  
 Efficiency 89%@5V

#### Output

Load regulation 0.2% max  
 Line regulation 0.5% max  
 Ripple and noise 150mV max  
 Output voltage adjust range  $\pm 10\%$  of nominal output  
 Transient Response 1% max deviation with 50% to 75% full load  
 100  $\mu$ S (max) recovery

#### Control

Voltage Adjust 90 to 110%  
 Enable TTL compatible  
 (positive & negative enable options)

AMERICAS

5810 Van Allen Way  
Carlsbad, CA 92008  
Telephone: 760-930-4600  
Facsimile: 760-930-0698

EUROPE

Astec House, Waterfront Business Park  
Merry Hill, Dudley  
West Midlands, DY5 1LX, UK  
Telephone: 44 (1384) 842-211  
Facsimile: 44 (1384) 843-355

ASIA

14/F, Lu Plaza  
2 Wing Yip Street  
Kwun Tong, Kowloon  
Hong Kong  
Telephone: 852-2176-3333  
Facsimile: 852-2176-3888



AEH10-30

## Ordering Information

Input Voltage	Output Voltage	Efficiency	Model Number
18-36V	2.5V @ 10A	86%	AEH10G24 (EOL)
18-36V	3.3V @ 10A	87%	AEH10F24
18-36V	5.0V @ 10A	88%	AEH10A24 (EOL)
18-36V	2.5V @ 20A	85%	AEH20G24 (EOL)
18-36V	3.3V @ 20A	87%	AEH20F24
18-36V	5.0V @ 20A	88%	AEH20A24 (EOL)
36-72V	2.5V @ 10A	86%	AEH10G48 (EOL)
36-72V	3.3V @ 10A	87%	AEH10F48
36-72V	5.0V @ 10A	89%	AEH10A48
36-72V	2.5V @ 15A	85%	AEH15G48 (EOL)
36-72V	3.3V @ 15A	87%	AEH15F48
36-72V	5.0V @ 15A	89%	AEH15A48
36-72V	2.5V @ 20A	87%	AEH20G48 (EOL)
36-72V	3.3V @ 20A	89%	AEH20F48
36-72V	5.0V @ 20A	90%	AEH20A48
36-72V	1.8V @ 30A	82%	AEH30Y48
36-72V	2.5V @ 30A	85%	AEH30G48 (EOL)
36-72V	3.3V @ 30A	87%	AEH30F48
36-72V	5.0V @ 30A	89%	AEH30A48

NOTES:

Enable Function

"N" = negative logic enable (without "N" = positive enable)

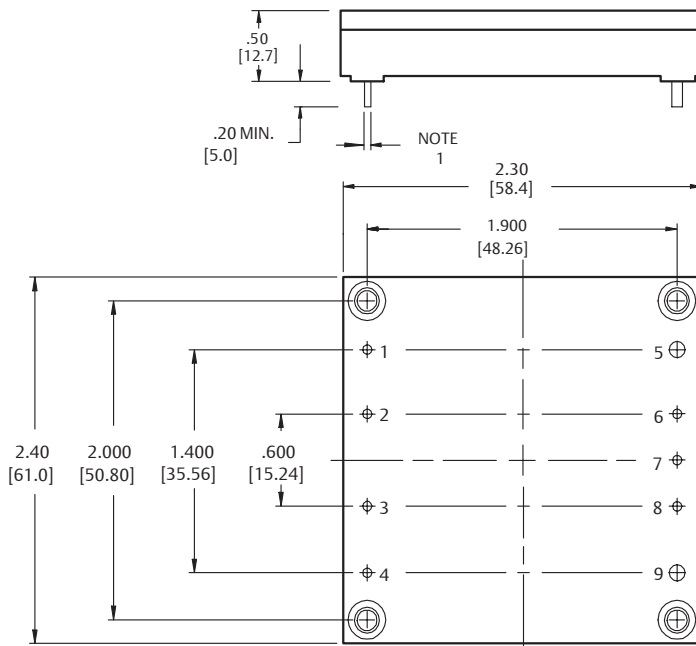
## Pin Assignments

Single Output

1. -Vin
2. Case
3. Enable (on/off)
4. +Vin
5. -5V Rtn
6. - Sense
7. Trim
8. + Sense
9. +5V Out

Notes:

1. 20 mHz bandwidth. An external 2.2 mf ceramic capacitor is recommended to be placed from +V out to -V out.
2. Requires a 2.2 mf, 100V film capacitor connected between +V in and -V in to meet FCC class A and ETS300-386-1 requirements for conducted noise. Consult Factory for filtering information to meet FCC class B, VDE or EIC specifications.
3. All specifications are typical at nominal line, full load, and 25°C unless otherwise noted.
4. All specifications subject to change without notice. Mechanical drawings are for reference only.
5. Please refer to the Technical Reference Notes for more information.
6. Warranty: 1 yr



Mounting Inserts  
M3 X .5 (4 places)

BOTTOM VIEW

## X-ON Electronics

Largest Supplier of Electrical and Electronic Components

*Click to view similar products for [Isolated DC/DC Converters](#) category:*

*Click to view products by [Artesyn Embedded Technologies](#) manufacturer:*

Other Similar products are found below :

[ESM6D044440C05AAQ](#) [FMD15.24G](#) [PSL486-7LR](#) [PSR152.5-7IR](#) [Q48T30020-NBB0](#) [AVO240-48S12B-6L](#) [AVO250-48S28B-6L](#) [NAN-0505](#) [HW-L16D](#) [JAHW100Y1](#) [217-1617-001](#) [22827](#) [SPB05C-12](#) [SQ24S15033-PS0S](#) [18952](#) [19-130041](#) [CE-1003](#) [CE-1004](#) [GQ2541-7R](#) [PSE1000DCDC-12V](#) [RDS180245](#) [MAU228](#) [419-2065-201](#) [449-2075-101](#) [TME 0303S](#) [TME 0505S](#) [TME 1205S](#) [TME 1212S](#) [TME 2405S](#) [TME 2412S](#) [V300C24C150BG](#) [419-2062-200](#) [419-2063-401](#) [419-2067-101](#) [419-2067-501](#) [419-2068-001](#) [DCG40-5G](#) [DFC15U48D15](#) [449-2067-000](#) [XGS-0512](#) [XGS-1205](#) [XGS-1212](#) [XGS-2412](#) [XGS-2415](#) [XKS-1215](#) [033456](#) [NCT1000N040R050B](#) [SPB05B-15](#) [SPB05C-15](#) [TME 0509S](#)