

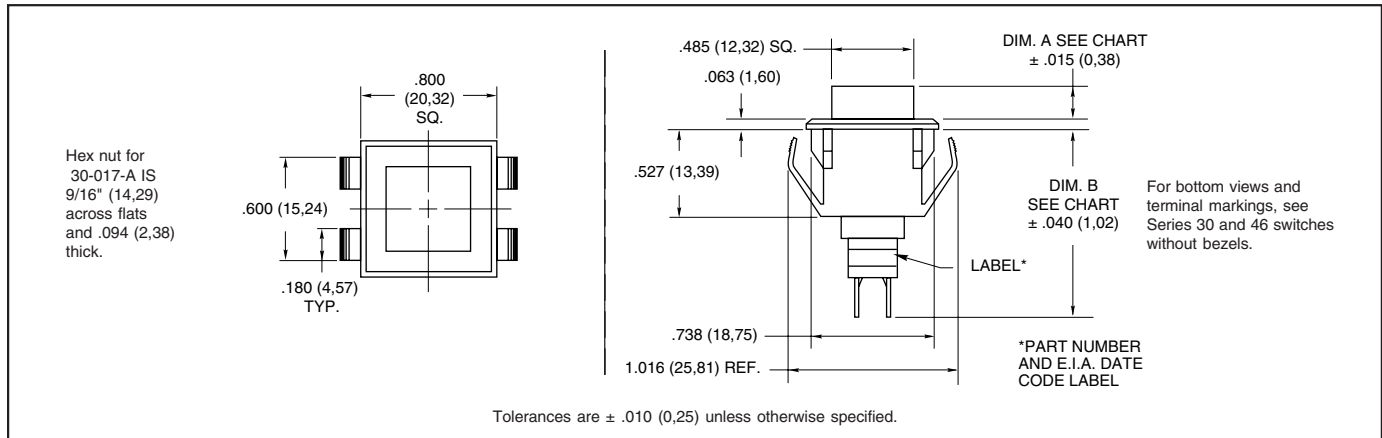
## SERIES 30 and 46 Snap-in Panel Mount

### FEATURES

- Sleek Black Matte Bezel
- Convenient Snap-In Front Mount
- Choice of 6 Button Colors
- SPST, SPDT or DPDT Circuitry
- Alternate Action, Positive Feel and Overtravel Versions
- Printed Button Option

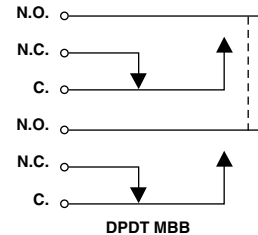
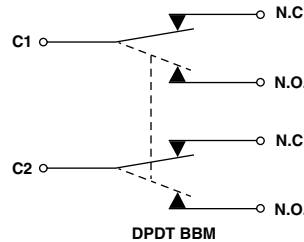
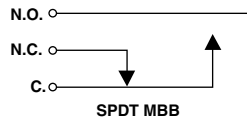
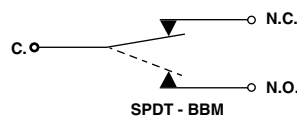


### DIMENSIONS In Inches (and millimeters)



### CIRCUITRY

Switches have momentary action unless otherwise indicated in the chart below.



### ADDITIONAL DIMENSIONS AND PART NUMBERS

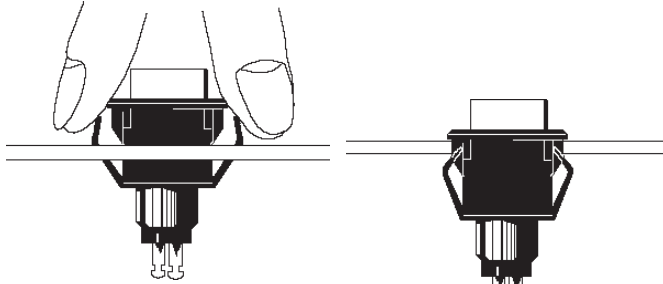
Circuitry and Features	Dim. A: Button Height (± .015)	Dim. B: Behind Panel Length (± .040)	Total Travel	Actuating Force	Partial Part No.*
<b>Butt Contact Switches - Series 30</b>					
SPST-N.O.	.205 (5,21)	1.119 (28,42)	.062 ± .010 (1,57 ± 0,25)	10 ± 4 oz.	30-001-A*
SPST-N.O., Overtravel	.205 (5,21)	1.204 (30,58)	.125 ± .020 (3,18 ± 0,51)	8 ± 4 oz.	30-015-A*
SPST-N.O., Overtravel & Positive Feel	Adjustable**	Adjustable**	.156 ± .015 (3,96 ± 0,38)	18 ± 4 oz.	30-017-A*
SPST-N.O., Economical	.205 (5,21)	1.119 (28,42)	.062 ± .010 (1,57 ± 0,25)	10 ± 4 oz.	30-601-A*
SPST-N.C.	.205 (5,21)	1.132 (28,75)	.065 ± .015 (1,65 ± 0,38)	8 ± 4 oz.	30-002-A*
<b>Wiping Contact Switches - Series 46</b>					
SPDT, BBM	.205 (5,21)	1.417 (35,99)	.180 (4,57) min.	1.1 ± .25 lbs.	46-102-A*
SPDT, MBB	.205 (5,21)	1.417 (35,99)	.180 (4,57) min.	1.1 ± .25 lbs.	46-111-A*
SPDT, BBM, Alternate Action	.293 (7,44)	1.448 (36,78)	.180 (4,57) min.	1.5 ± .25 lbs.	46-502-A*
DPDT, BBM	.205 (5,21)	1.448 (36,78)	.180 (4,57) min.	2.2 ± .5 lbs.	46-200-A*
DPDT, MBB	.205 (5,21)	1.448 (36,78)	.180 (4,57) min.	2.2 ± .5 lbs.	46-201-A*
DPDT, BBM, Alternate Action	.293 (7,44)	1.448 (36,78)	.180 (4,57) min.	1.8 ± .5 lbs.	46-402-A*

\*Partial part number, complete part number by adding a dash for button color: white -01; red -03; green -04; blue -05; yellow -06 or black -07, see Ordering Information.

\*\*Adjustable from Dim. A .170 (4,32) minimum, Dim. B 1.285 (32,64) maximum to Dim. A .290 (7,37) maximum, Dim. B 1.165 (29,59) minimum with hex nut below bezel.

## MOUNTING

### Easy Snap-In Mounting



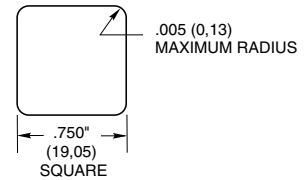
Just snap into pre-cut panel hole.

Plastic wings lock switch in place.

### PANEL CUTOUT

#### Recommended Panel Cut

Switch will fit panels .049" (1,24) to .125" (3,18) thick. Recommended panel thickness is 18 gauge.



## SPECIFICATIONS

### Life Limiting Criteria—Series 30 & 46

**Contact Resistance:** Less than 25 milliohms on a new switch

**Voltage Breakdown:** 1,000 Vac between mutually insulated parts

**Insulation Resistance:** 1,000 megohms minimum

### Ratings—Series 30

#### Current Rating:

30-601 150 mA, 5 Vdc resistive and 20 mA, 20 Vdc resistive

All others 1 A, 115 Vac resistive, or 0.5 A, 220 Vac resistive

#### Life Expectancy:

30-015 500,000 operations

30-017 200,000 operations

All others 1,000,000 operations

### Ratings—Series 46

**Current Rating:** 250 mA, 115 Vac resistive or 125 mA, 220 Vac resistive

**Life Expectancy:** 250,000 operations

### Materials and Finishes—Series 30

**Bezel:** Nylon

**Button Cap:** ABS plastic

**Switch Bushing:** Brass, tin zinc

**Base:** Thermoset plastic

**Spring:** Tinned music wire

**Plunger:** Polycarbonate

**Shorting Bar:**

30-601 Brass, gold-plated over nickel

All Others Brass with fine silver contact area

**Base Contacts:**

30-601 Brass, gold-plated over nickel

30-002 Brass with fine silver contact area

All Others Bronze with fine silver contact area

**Terminals:**

30-002 Brass, silver-plated

30-601 Bronze, gold-plated over nickel

All Others Bronze, silver-plated

**Nut:** Provided only on 30-017; allows button height adjustment. Brass, zinc trivalent chromate-plated.

### Materials and Finishes—Series 46

**Bezel:** Nylon

**Button Cap:** ABS plastic

**Switch Bushing:** Brass, zinc trivalent chromate-plated.

**Base:** Thermoset plastic

**Spring:** Tinned music wire

**Plunger:** 46-402/502 Nickel-plated brass

All Others Polycarbonate

**Shorting Bar:** Phosphor bronze, silver-plated

**Base Contacts:** Phosphor bronze with silver contact area

**Terminals:** Phosphor bronze, tin/silver plating

**Covers (46-200/201):** Brass, zinc trivalent chromate-plated

## STANDARD OPTIONS

Epoxy-sealed terminals and wire leads, see page E-35.

## LEGENDING OPTION

### Contact Grayhill

A button legend can be printed in epoxy ink which bonds to the surface of the button cap. Any type style or design which can be photographed can be used to produce the legend.

There is a per-button printing charge. A nominal set up charge per legend applies to orders of 1 to 99 pieces. Non-standard legends are subject to one time artwork and tooling charges. Consult Grayhill for help with actual legend.

## ORDERING INFORMATION

Use the partial part number you have selected from the Dimensions and Part Number chart, and add the button color suffix. Example:

**46-200-A-03**      Color: 01, 03, 04, 05, 06, 07

01 = White    03 = Red    04 = Green  
05 = Blue    06 = Yellow    07 = Black

**SERIES 30 and 46**  
Decorator Line

**FEATURES**

- Attractive Front Panel Bezels (6 choices)
- Space-Saving: Only 5/8" Diameter (SPST & SPDT) and 3/4" Diameter (DPDT) Round Bezels
- SPST with Option of Positive Feel
- SPDT, DPDT with Momentary Contact or Alternate Action
- Sturdy Metal Sleeve or Bushing and Nut Provide Secure Mounting
- UL Recognized Version



**DIMENSIONS** In Inches (and millimeters)

**SPST—Normally Open**  
30-05-01-502-\*  
30-05-04-502-\*

B = .375 ± .010 (9,53 ± 0,25) DIA.  
C = .625 ± .005 (15,88 ± 0,13) DIA.  
D = .255 ± .032 (6,48 ± 0,81) DIA.  
E = .093 ± .010 (2,36 ± 0,25) DIA.  
F = .355 ± .015 (9,02 ± 0,38) DIA.  
G = .220 ± .025 (5,59 ± 0,64) DIA.

DIM A ± .020 (0,51) (SEE CHART)

1/2-32 UN-2A THREAD  
INSULATING BARRIER

\*PART NUMBER AND E.I.A. DATE CODE LABEL

Feature	Partial Part No.	Dim. A
Momentary	30-05-01-502-*	.710 (18,03)
Pos. Feel	30-05-04-502-*	.910 (23,11)

**SPDT—Break Before Make**  
46-05-05-502-\*  
46-05-07-502-\*

B = .375 ± .010 (9,53 ± 0,25) DIA.  
C = .625 ± .005 (15,88 ± 0,13) DIA.  
D = .255 ± .032 (6,48 ± 0,81) DIA.  
E = .093 ± .010 (2,36 ± 0,25) DIA.  
F = .355 ± .015 (9,02 ± 0,38) DIA.  
G = .150 ± .010 (3,81 ± 0,25) DIA.

DIM A ± .015 (0,38) (SEE CHART)

1/2-32 UN-2A THREAD  
INSULATING BARRIER

\*PART NUMBER AND E.I.A. DATE CODE LABEL

Terminals are marked on switch.

Feature	Partial Part No.	Dim. A
Momentary	46-05-05-502-*	.992 (25,20)
Alt. Action	46-05-07-502-*	1.278 (32,46)

**DPDT—Break Before Make**  
46-05-08-502-\* (UL)\*\*  
46-05-09-502-\*

B = .375 ± .010 (9,35 ± 0,25) DIA.  
C = .750 ± .005 (19,05 ± 0,13) DIA.  
D = .255 ± .032 (6,48 ± 0,81) DIA.  
F = SEE CHART ± .015 (0,38)  
E = .093 ± .010 (2,36 ± 0,25) DIA.  
G = .150 ± .010 (3,81 ± 0,25) DIA.

DIM A ± .015 (0,38) (SEE CHART)

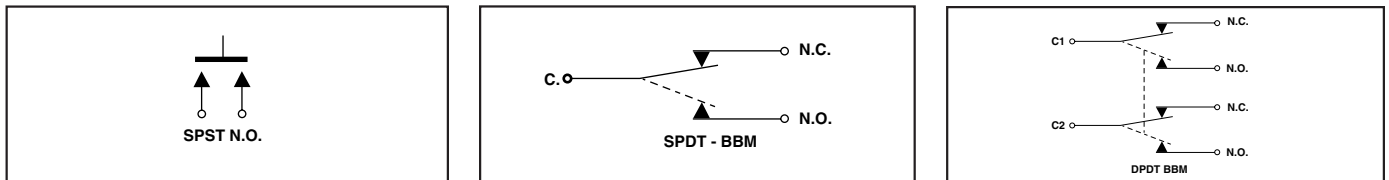
5/8-32 UN-2A THREAD  
INSULATING BARRIER

\*PART NUMBER AND E.I.A. DATE CODE LABEL

Terminals are marked on switch.

Feature	Partial Part No.	Dim. A	Dim. F
Momentary	46-05-08-502-*	1.001 (25,43)	.314 (7,98)
Alt. Action	46-05-09-502-*	1.130 (28,70)	.355 (9,02)

**CIRCUITRY**



**RECOMMENDED PANEL CUTOUT AND MOUNTING HARDWARE**

**SPST AND SPDT VERSION**

.440 (11,17) MIN. ACROSS FLATS

.516 (13,10) MIN. DIA.

**DPDT VERSION**

.565 (14,35) MIN. ACROSS FLATS

.641 (16,28) MIN. DIA.

**Mounting Hardware**

**For 46-05-08-502 & 46-05-09-502:**  
One internal tooth lockwasher  
One knurled ring nut .765 ± .010 (19,43 ± 0,25) Dia.  
.094 ± .010 (2,39 ± 0,25) Thk.

**For SPST & SPDT switches**  
One internal tooth lockwasher  
One knurled ring nut .640 ± .010 (16,26 ± 0,25) Dia.  
.094 ± .010 (2,39 ± 0,25) Thk.

Note: All switches fit panels up to .250 (6,35) thick, except 46-05-08-502 which fits panels up to .187 (4,75) thick. Front and back panel access required for installation.

\*Partial part number; complete part number by adding a dash for button color: white -01; red -03; green -04; blue -05; yellow -06 or black -07, see Ordering Information.  
\*\* Contact Grayhill for part number.

## SERIES 30 and 46 Decorator Line

### FEATURES

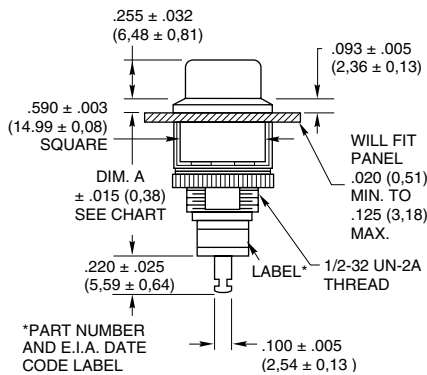
- Attractive Front Panel Bezels (6 choices)
- Space-Saving: Only 11/16" Square
- SPST with Option of Positive Feel
- SPDT, DPDT with Momentary Contact or Alternate Action
- Sturdy Metal Sleeve or Bushing and Nut Provide Secure Mounting



### DIMENSIONS In Inches (and millimeters)

#### SPST—Normally Open

30-01-01-500-\*  
30-01-04-500-\*

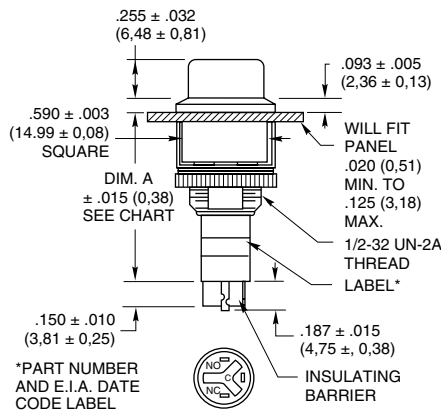


\*PART NUMBER AND E.I.A. DATE CODE LABEL

Feature	Partial Part No.	Dim. A
Momentary	30-01-01-500-*	.880 (22,35)
Pos. Feel	30-01-04-500-*	1.037 (26,34)

#### SPDT—Break Before Make

46-01-05-500-\*  
46-01-07-500-\*



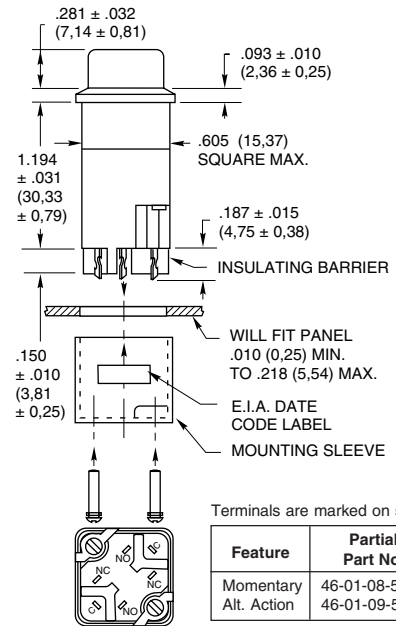
\*PART NUMBER AND E.I.A. DATE CODE LABEL

Terminals are marked on switch.

Feature	Partial Part No.	Dim. A
Momentary	46-01-05-500-*	1.174 (29,82)
Alt. Action	46-01-07-500-*	1.264 (32,11)

#### DPDT—Break Before Make

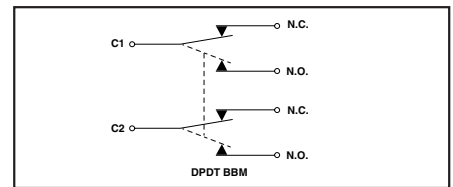
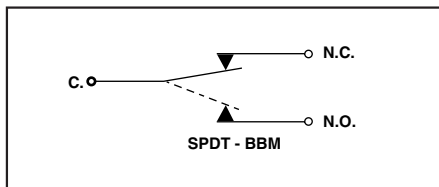
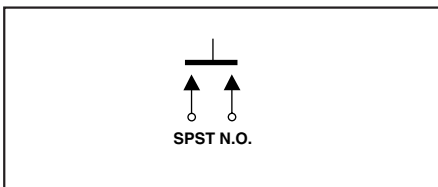
46-01-08-500-\*  
46-01-09-500-\*



Terminals are marked on switch.

Feature	Partial Part No.
Momentary	46-01-08-500-*
Alt. Action	46-01-09-500-*

### CIRCUITRY



### FRONT VIEWS AND MOUNTING

RECOMMENDED PANEL CUTOUT FOR SQUARE BEZEL SWITCHES

SINGLE

STACKED

**Mounting Hardware**

**For 46-01-08-500 & 46-01-09-500**  
(See drawing above—mounting hardware shipped loose.)

**For SPST & SPDT switches**  
One internal tooth lockwasher  
One knurled ring nut .640 ± .010 (16,26 ± 0,25) DIA.  
.094 ± .010 (2,39 ± 0,25) Thk.

Note: All switches fit panels up to .250 (6,35) thick. Front and back panel access required for installation.

\*Partial part number; complete part number by adding a dash for button color: white -01; red -03; green -04; blue -05; yellow -06 or black -07, see Ordering Information.

**SPECIFICATIONS**

**Material and Finishes**

**Lockwasher (Round Bezel):** Steel, zinc trivalent chromate-plated

**Behind Panel Plate (Square Bezel):** Steel, zinc trivalent chromate-plated

**Mounting Sleeve and Screws (46-01-08-500, 46-01-09-500 only):** Steel, zinc trivalent chromate-plated. **Base:** Phenolic per MIL-M-14, Type CFG

**Square Bezel:** ABS (SPST, SPDT), thermoset plastic (DPDT)

**Mounting Nut, Bushing, and Round Bezel:** Brass, tin zinc

**Button Cap:** ABS (UL version is PPS)

**Shorting Bar:** Series 30—Fine silver contact area

Series 46—Phosphor bronze, silver-plated

**Terminals:** Series 30—Fine silver contact area with silver-plated terminal ends

Series 46—Silver contact surface with tin/silver clad terminal ends

**Spring:** Tinned music wire

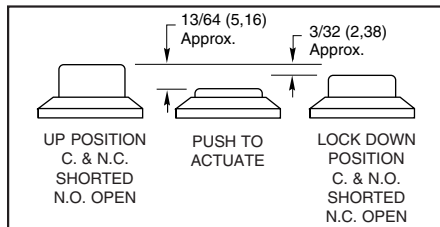
**Plunger:** Polyphenylene sulfide (PPS) for 30-01-01-500-X and 46-01-05-500-X. Nickel-plated brass for 46-01-07-500-X, 46-05-07-502-X, 46-01-09-500-X and 46-05-09-502-X. Zinc trivalent chromate-plated brass for 46-01-08-500-X. Polycarbonate for all others.

**Operating Temperature:** -40°C to +85°C

**ALTERNATE ACTION (PUSH-PUSH) OPERATING SEQUENCE**

Part Number\* 46-05-07-502, 46-05-09-502, 46-01-07-500, 46-01-09-500

Alternate action (Push-Push) switches provide a maintained actuated position until the button is pushed again to release.



**STANDARD OPTIONS**

Epoxy-sealed terminals and wire leads, see page E-35.

**ORDERING INFORMATION & OPERATING FEATURES**

	Square Bezel	Round Bezel	Circuitry	Feature	Total Travel	Bottoming Force	Actuating Force	Overtravel
<b>Butt Contact</b>	30-01-01-500*	30-05-01-502*	SPST—N.O.	Momentary	.080 ± .015 (2,03 ± 0,38)	—	10 ± 4 oz.	—
	30-01-04-500*	30-05-04-502*	SPST—N.O.	Positive Feel & Overtravel	.156 ± .015 (3,96 ± 0,38)	—	18 ± 4 oz.	.046 Min.
<b>Wiping Contact</b>	46-01-05-500*	46-05-05-502*	SPDT	Momentary	.180 min. (4,57)	1.1 ± .25 Lbs.	—	—
	46-01-07-500*	46-05-07-502*	SPDT	Alternate Action	.210 ± .015 (5,33 ± 0,38)	1.5 ± .25 Lbs.	—	—
	46-01-08-500*	46-05-08-502*	DPDT	Momentary	.180 min. (4,57)	1.6 ± .5 Lbs.	—	—
	46-01-09-500*	46-05-09-502*	DPDT	Alternate Action	.210 ± .015 (5,33 ± 0,38)	1.8 ± .5 Lbs.	—	—

\*Partial part number; complete the part number by adding a dash for button color: white -01; red -03; green -04; blue -05; yellow -06 or black -07.

**Available from your local Grayhill Distributor.**  
For prices and discounts, contact a local Sales Office, an authorized local Distributor or Grayhill.

**RATINGS**

Electrical Ratings	Series 30	Series 46
<b>Contacts</b>	Butt type	Wiping type
<b>Rating at 115 Vac Res.</b>	1 Amp	0.25 Amp
<b>Rating at 220 Vac Res.</b>	0.5 Amp	0.125 Amp
<b>Circuitry</b>	SPST—N.O. (Standard); SPST—N.O. (w/Overtravel), SPST—N.O. (w/Positive Feel)	SPDT, DPDT Break Before Make
<b>Life Expectancy</b>	SPST—N.O. (Standard): 1,000,000 operations SPST—N.O. (w/Positive Feel): 200,000 operations; SPST—N.O. (w/Overtravel): 500,000 operations	250,000 operations
<b>Contact Resistance</b>	25 milliohms or less on a new switch	
<b>Voltage Breakdown</b>	1000 Vac between mutually insulated parts	
<b>Insulation Resistance</b>	1000 megohms minimum	
<b>Operating Temperature</b>	-40°C to +85°C	

**LEGENDS**

All button caps can be printed in epoxy ink. Any type style or design can be used to produce the legend. If News Gothic Condensed style is used, limits can be approximated from the chart below; actual limits depend on specific legend.

There is a per-button impression charge. A nominal set up charge per legend applies to orders of 1 to 99 pieces. (Non-standard legends are subject to a one time tooling charge. Contact Grayhill for more specifics.)

Grayhill Type Identification No.	Character Height (Typ.)	Sample Style and Sizes	Square Button Character and Line Limitation		Round Button Character and Line Limitation	
			Character	Line	Character	Line
4GH088	.083 (2,1)	ABCDEFGHIJ	6 Char. 2 Lines	TAB LOCATE	3 Char. 1 Line	OFF
1GH125	.138 (3,5)	ABCDEFGHIJ	5 Char. 1 Lines	INDEX	3 Char. 1 Line	TAB
3GH187	.207 (5,3)	ABCDEF	3 Char. 1 Line	OFF	2 Char. 1 Line	15
2GH250	.276 (7,0)	ABCD	2 Char. 1 Line	15	N/A	N/A

Pushbutton Switches

## X-ON Electronics

Largest Supplier of Electrical and Electronic Components

*Click to view similar products for [Pushbutton Switches](#) category:*

*Click to view products by [Grayhill](#) manufacturer:*

Other Similar products are found below :

[LW1L-M1C10V-A](#) [LW2L-A1C20M-GD](#) [LW2L-M1C20M-A](#) [60324L](#) [M7E-HRN2](#) [67021K512](#) [67081K512X](#) [701PB580](#) [719-5504-000](#)  
[MDPSSGLFS](#) [810KSV30B](#) [FLT 2U EE 01A](#) [MML21KA3ABK](#) [MML23KA3AC05K-001](#) [MML23KW3AA01W](#) [8418K2](#) [8646AB6X718UL](#)  
[8646ABUL](#) [FSDWH](#) [9001KXRK](#) [9001T8BK](#) [9533CD4+U574+U4922](#) [1203MRA](#) [A22EM01S](#) [A595](#) [1202A6](#) [12037A2ULCSA](#) [1203A2UL](#)  
[ABD122N-B](#) [1211390004](#) [ABN111-Y](#) [ABN400-R](#) [1211500044](#) [1211580012](#) [1212MRA](#) [1232A6NF](#) [RA3CSH6A](#) [1241.1183.7047](#)  
[1241.2511](#) [1241.3428](#) [1223A2ULCSA](#) [1223MRA](#) [1232AX2119](#) [1241.1183.8000](#) [1241.1183.8029](#) [1241.2506](#) [1241.2606](#) [12MA6](#)  
[1301940184](#) [RELBARF6X10\(PLASTIC\)](#)