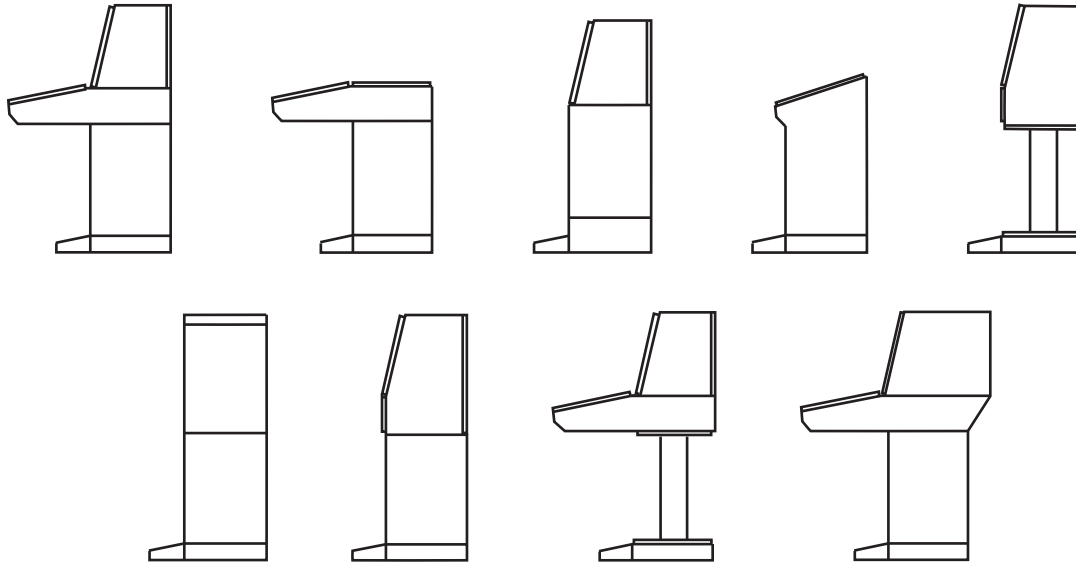


Series 2000 Modular Console System - NEMA 12, 4, 4X Configurations

Series 2000 Modular Console System

The Series 2000 Modular Console System offers designers numerous assembly and configuration choices. This system allows units to be “stacked” in multiple combinations to provide equipment support and display functions exactly where you want them.



How to Configure Your System

To configure your system you'll need to go through the following steps:

STEP 1 - Protection requirements

Type 4 RAL 7035 light gray = "2CL..." part numbers

Type 4X stainless steel = "2CS..." part numbers

STEP 2 - Width requirements (24, 36, 48, 60 inch)

STEP 3 - Basic component requirements:

Bottom - (a) base, (b) dual access base, or (c) pedestal

Top - (a) standard desk and desk cover, (b) deep desk and desk cover, (c) standard turret, (d) deep turret, (e) standard desk/turret combination, (f) deep desk/turret combination, (g) another base and base cover, or (h) data terminal

Stand Alone - Consolelet

STEP 4 - External Accessories (if applicable): plinth, footrest, window doors or depth extension

STEP 5 - Internal Accessories (if applicable): electrical mounting panels, electronic mounting rails, swing frames, etc.

Series 2000 Modular Console System - NEMA 12, 4, 4X Base Units

Operator Interface Enclosure



Single Access



Dual Access



Application

- Flexible design provides panel mount or rack mount capabilities for a variety of applications.
- Generally used in combination with other modular console components (ie. another base, terminal, desk and/or turret).
- Available in either single or dual access format.
- Smooth lines and clean edges provide an attractive, contemporary appearance.

Standards

RAL 7035 Light Gray

- UL 508 Type 3R, 4, 12
- CSA Type 3R, 4, 12, 13
- EIA RS-310-D
- **Complies with**
 - NEMA Type 3R, 4, 12
 - IEC 60529, IP66

Stainless Steel (Type 304)

- UL 508 Type 3R, 4, 4X, 12
- CSA Type 3R, 4, 4X, 12
- EIA RS-310-D
- **Complies with**
 - NEMA Type 3R, 4, 4X, 12
 - IEC 60529, IP66

Construction

- Formed 14 gauge steel bodies with 14 gauge steel door.
- Also offered with formed 14 gauge 304 stainless steel bodies with 14 gauge 304 stainless steel door.
- Smooth, continuously welded seams.

- Body stiffeners are provided where required for increased strength and rigidity.
- Offered in 4 widths 24", 36", 48" and 60".
- Single access version has solid sides and back, solid door on front, open top, and closed bottom with removable access panel.
- Dual access version is same as above except has solid door on both front and back.
- 24" and 36" widths have single door on the front (and back for dual access) whereas 48" and 60" widths have two outside hinged doors on the front (and back for dual access.)
- Doors can be hinged from either side on 24" and 36" units.
- Door profiles provide increased strength and are pre-punched to provide mounting options.
- Formed lip on enclosure excludes flowing liquids and contaminants.
- Slotted quarter turn oil-tight latches secure the door, with optional tamper resistant and locking latches available.
- Stainless steel models utilize stainless steel hardware.
- Oil resistant gaskets are permanently secured.
- Features several internal stud locations for mounting of various accessories.
- A bonding screw is provided on the door and a grounding stud is provided in the enclosure.

Finish

- Available in RAL 7035 light gray textured powder coating and natural stainless steel with a smooth, brushed finish.
- Base Covers are available in the same finishes.

Accessories

- Air conditioners...*see page 349-367*
- Blowers...*see page 389*
- Filter fans...*see page 371-384*
- Fan trays...*see page 391*
- Heaters...*see page 393-396*
- Series 2000 Modular Console Accessories...*see page 221-228*
- Rack Mount Accessories...*see page 229-232*

Technical references and CAD downloads available at www.hammondmfg.com

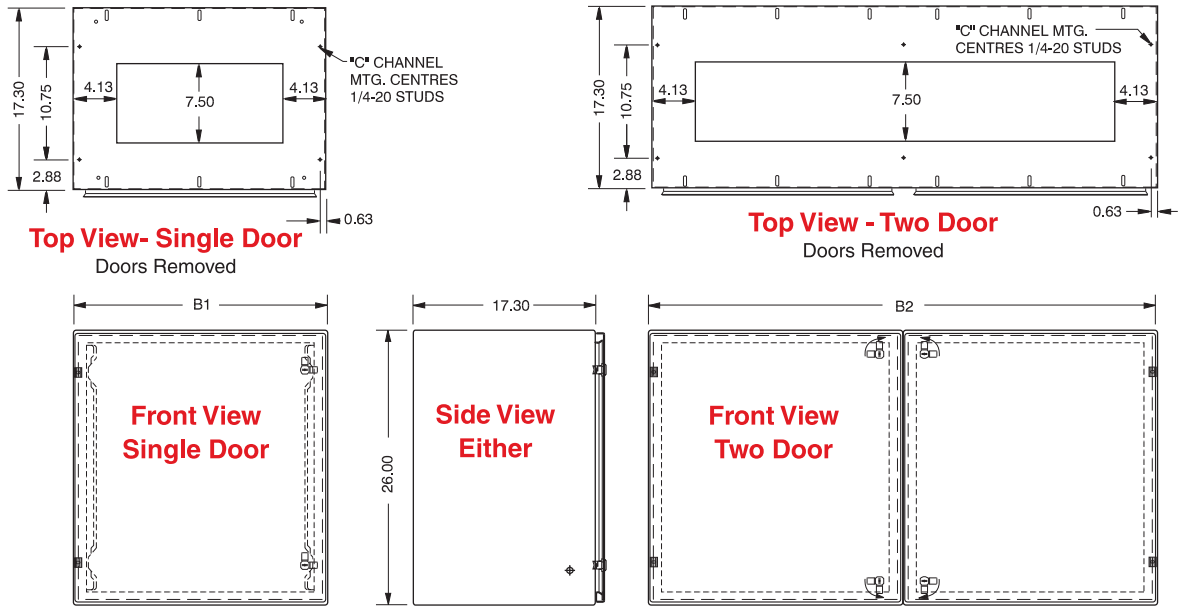
All dimensions in inches unless specified otherwise

Modular Console System

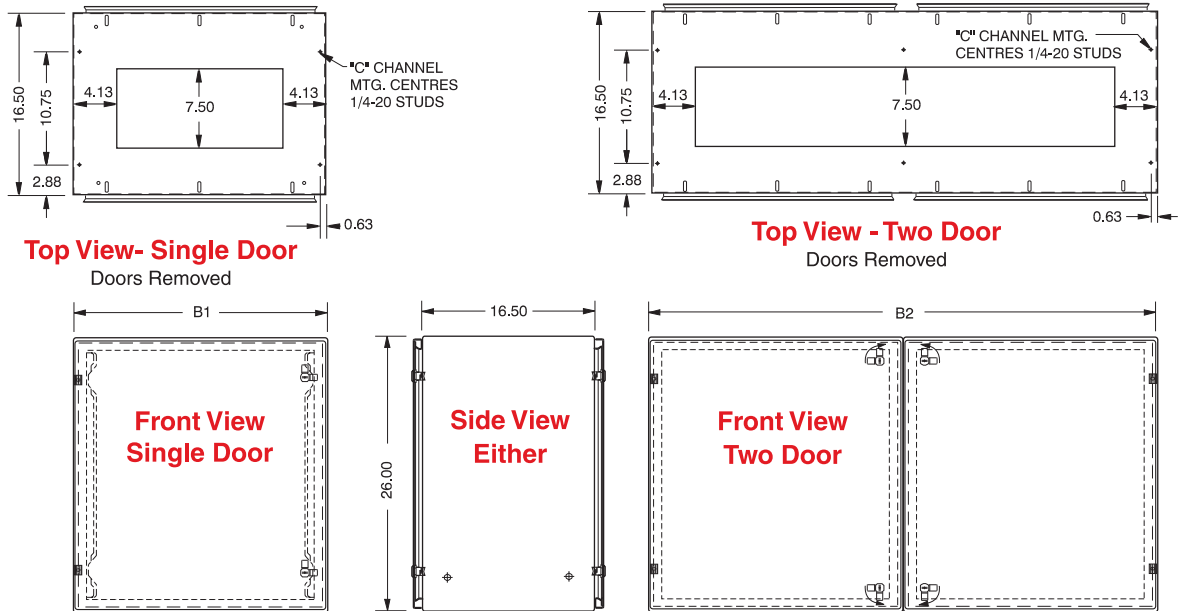
Series 2000 Modular Console System - NEMA 12, 4, 4X Base Units

Operator Interface Enclosure

Single Access



Dual Access



Modular Console System

Single Access

RAL 7035 Light Gray Part No.	Stainless Steel Part No.	B1	B2
2CLB262418	2CSB262418	24	n/a
2CLB263618	2CSB263618	36	n/a
2CLB264818	2CSB264818	n/a	48
2CLB266018	2CSB266018	n/a	60

Dual Access

RAL 7035 Light Gray Part No.	Stainless Steel Part No.	B1	B2
2CLBX262418	2CSBX262418	24	n/a
2CLBX263618	2CSBX263618	36	n/a
2CLBX264818	2CSBX264818	n/a	48
2CLBX266018	2CSBX266018	n/a	60

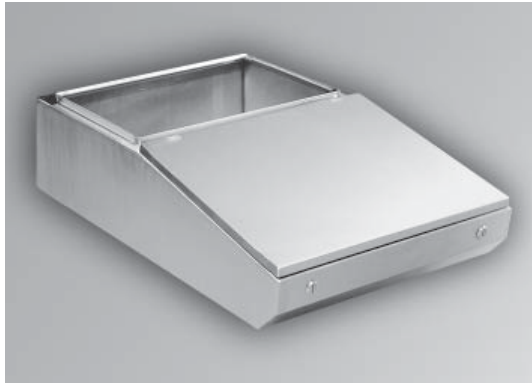
Technical references and CAD downloads available at www.hammondmfg.com

All dimensions in inches unless specified otherwise

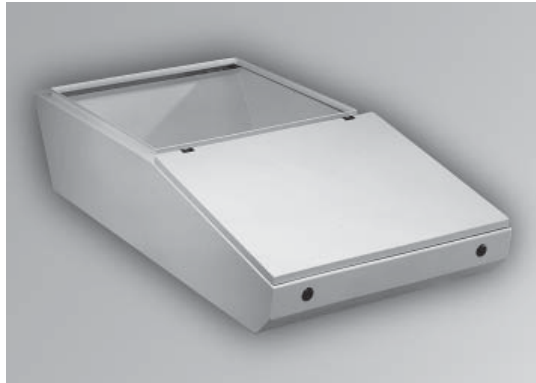
Quality Products. Service Excellence.

Series 2000 Modular Console System - NEMA 12, 4, 4X Desk Units

Operator Interface Enclosure



Standard Desk



Deep Desk



Application

- Generally used in combination with other modular console components (ie. base, pedestal, and/or turret).
- Provides an ideal sloped surface for mounting keyboards, switches, indicator lights, and/or dials.
- Open top permits mounting of a turret (usually for CRT applications) or an optional hinged desk cover (providing a flat, sturdy desk surface).
- Available in either Standard (will support Standard Turret only) or Deep (will support Deep Turret only) format.
- Smooth lines and clean edges provide an attractive, contemporary appearance.

Standards

RAL 7035 Light Gray

- UL 508 Type 3R, 4, 12
- CSA Type 3R, 4, 12, 13
- EIA RS-310-D
- Complies with
 - NEMA Type 3R, 4, 12
 - IEC 60529, IP66

Stainless Steel (Type 304)

- UL 508 Type 3R, 4, 4X, 12
- CSA Type 3R, 4, 4X, 12
- **Complies with**
 - NEMA Type 3R, 4, 4X, 12
 - IEC 60529, IP66

Construction

- Formed 14 gauge steel bodies with 14 gauge steel lid.
- Also offered with formed 14 gauge 304 stainless steel bodies with 14 gauge 304 stainless steel lid.
- Smooth, continuously welded seams without knockouts or holes.
- Body stiffeners are provided where required for increased strength and rigidity.
- Offered in 4 widths 24", 36", 48" and 60".
- Solid sides and back, lid on sloped top area, open on flat top area, bottom is solid under lid area and open under flat top area.
- Deep Desk has a 6.7" deeper top opening than standard desk allowing for support of Deep Turret - see drawings as Deep Desk has different profile (angled back) from Standard Desk (flat back.)
- Lid profiles provide increased strength.
- Formed lip on enclosure excludes flowing liquids and contaminants.
- Slotted quarter turn oil-tight latches secure the lid, with optional tamper resistant and locking latches available.
- Stainless steel models utilize stainless steel hardware.
- Oil resistant gaskets are permanently secured.
- Features several internal stud locations for mounting Desk Inner Panel.
- A bonding screw is provided on the lid and a grounding stud is provided in the enclosure.

Finish

- Available in RAL 7035 light gray textured powder coating and natural stainless steel with a smooth, brushed finish.
- Desk covers available in same finishes.

Accessories

- Desk cover...see page **223**
- Desk inner panel...see page **225**

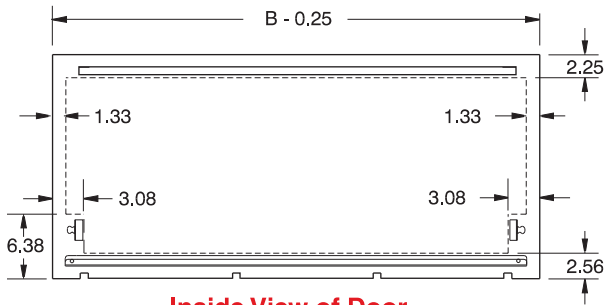
Modular Console System

Series 2000 Modular Console System - NEMA 12, 4, 4X Desk Units

Operator Interface Enclosure

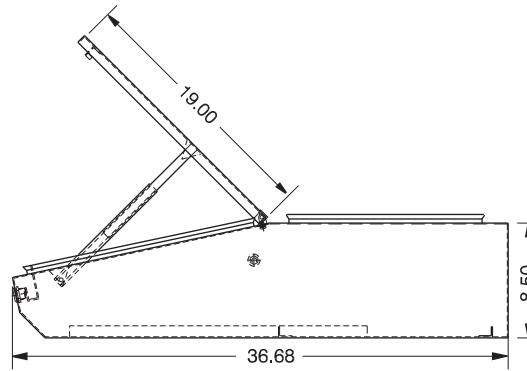
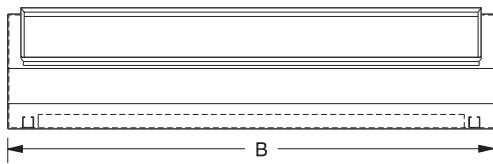
Modular Console System

Standard Desk Unit

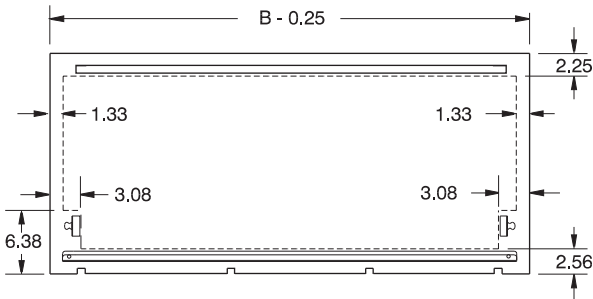


Inside View of Door

Clearance area for mounting hardware on desk unit sloping door

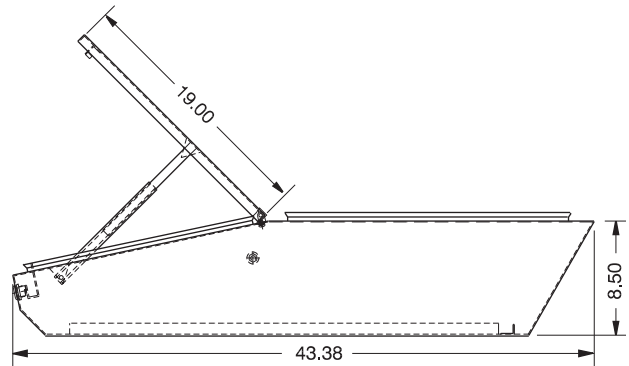
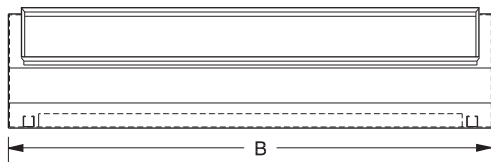


Deep Desk Unit



Inside View of Door

Clearance area for mounting hardware on desk unit sloping door



Standard Desk Unit

RAL 7035 Light Gray Part No.	Stainless Steel Part No.	B
2CLD82436	2CSD82436	24
2CLD83636	2CSD83636	36
2CLD84836	2CSD84836	48
2CLD86036	2CSD86036	60

Deep Desk Unit

RAL 7035 Light Gray Part No.	Stainless Steel Part No.	B
2CLD82443	2CSD82443	24
2CLD83643	2CSD83643	36
2CLD84843	2CSD84843	48
2CLD86043	2CSD86043	60

Technical references and CAD downloads available at www.hammondmfg.com

All dimensions in inches unless specified otherwise

Quality Products. Service Excellence.

Series 2000 Modular Console System - NEMA 12, 4, 4X Turret Units

Operator Interface Enclosure



Standard Turret



Deep Turret



Application

- Ideal as a housing for video screens.
- Flexible design provides panel mount or rack mount capabilities for a variety of applications.
- Generally used in combination with other modular console components (ie. base, pedestal, and/or desk).
- Available in either Standard (supported by Base, Pedestal, or Standard Desk) or Deep (supported by Deep Desk only) format.
- Smooth lines and clean edges provide an attractive, contemporary appearance.

Standards

RAL 7035 Light Gray

- UL 508 Type 3R, 4, 12
- CSA Type 3R, 4, 12, 13
- EIA RS-310-D
- Complies with
 - NEMA Type 3R, 4, 12
 - IEC 60529, IP66

Stainless Steel (Type 304)

- UL 508 Type 3R, 4, 4X and 12
- CSA Type 3R, 4, 4X and 12
- EIA RS-310-D
- Complies with
 - NEMA Type 3R, 4, 4X, 12
 - IEC 60529, IP66

Construction

- Formed 14 gauge steel bodies with 14 gauge steel doors.
- Also offered with formed 14 gauge 304 stainless steel bodies with 14 gauge 304 stainless steel doors.
- Smooth, continuously welded seams without knockouts or holes.
- Body stiffeners are provided where required for increased strength and rigidity.
- Offered in 4 widths 24", 36", 48" and 60".
- Features solid sides and top, solid door on front (opens down) and back (opens up), and open bottom.
- Front door features sliding rod mechanism, which allows a 102° opening when in the lowered position.
- Rear door features manual, 3 position adjustable door stop which provides convenient support while door in open position.
- Formed lip on enclosure excludes flowing liquids and contaminants.
- Slotted quarter turn oil-tight latches secure the door, with optional tamper resistant and locking latches available.
- Stainless steel models utilize stainless steel hardware.
- Oil resistant gaskets are permanently secured and mechanically retained.
- Features several internal stud locations for mounting of various accessories.
- A bonding screw is provided on the door and a grounding stud is provided in the enclosure.

Finish

- Available in RAL 7035 light gray textured powder coating and natural stainless steel with a smooth, brushed finish.
- 24" Front Window Door available in same finishes.

Accessories

- Air conditioners...see page 349-367
- Blowers...see page 389
- Filter fans...see page 371-384
- Fan trays...see page 391
- Heaters...see page 393-396
- Series 2000 Modular Console Accessories...see page 221-228
- Rack Mount Accessories
...see page 229-232

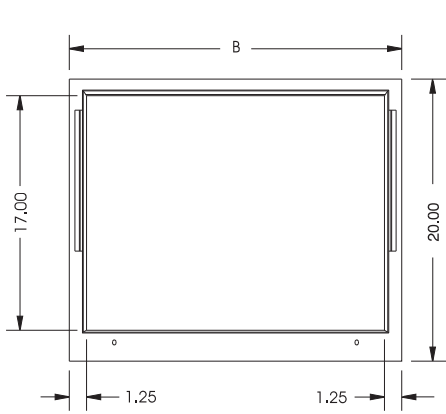
Modular Console System

Series 2000 Modular Console System - NEMA 12, 4, 4X Turret Units

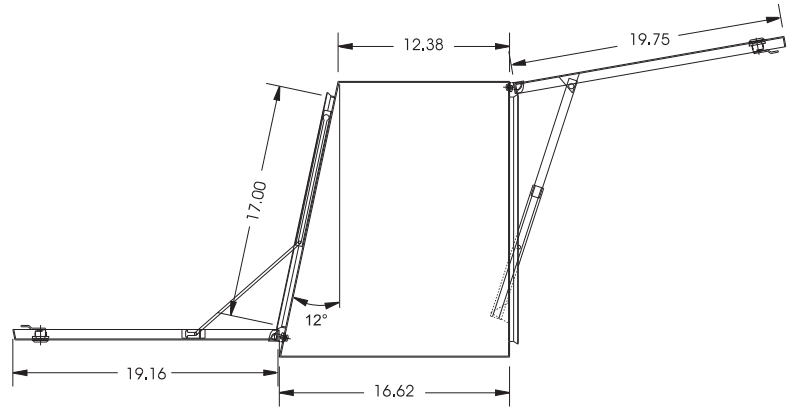
Operator Interface Enclosure

Modular Console System

Standard Turret

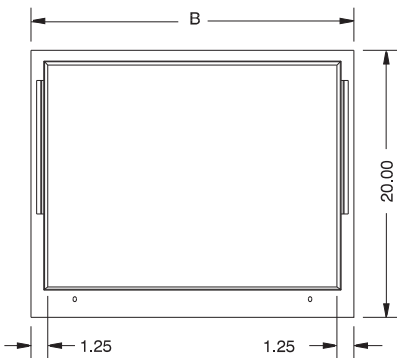


Front View

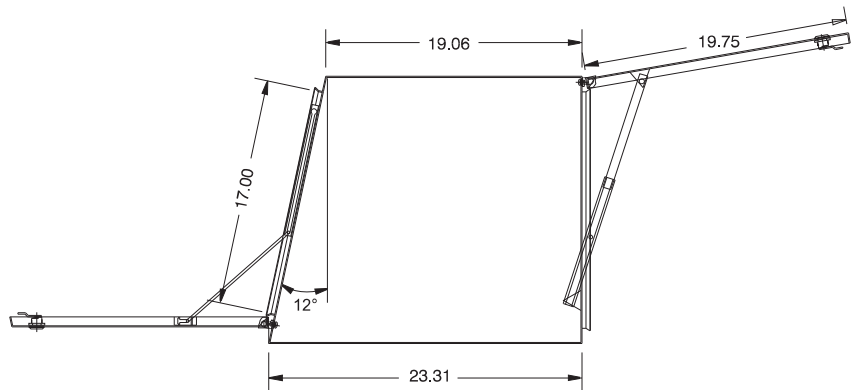


Side View

Deep Turret



Front View



Side View

Standard Turret

RAL 7035 Light Gray Part No.	Stainless Steel Part No.	B
2CLT202436	2CST202436	24
2CLT203636	2CST203636	36
2CLT204836	2CST204836	48
2CLT206036	2CST206036	60

Deep Turret

RAL 7035 Light Gray Part No.	Stainless Steel Part No.	B
2CLT202443	2CST202443	24
2CLT203643	2CST203643	36
2CLT204843	2CST204843	48
2CLT206043	2CST206043	60

Technical references and CAD downloads available at www.hammondmfg.com

All dimensions in inches unless specified otherwise

Quality Products. Service Excellence.

Series 2000 Modular Console System - NEMA 12, 4, 4X Console

Operator Interface Enclosure



Note: Plinth and footrest shown in photo are optional.

Application

- Serves as an economical housing for operator interface applications.
- Provides an ideal sloped surface for mounting keyboards, switches, indicator lights, and/or dials.
- Provides panel mounting capabilities for a variety of applications.
- Generally used as a stand alone enclosure. Possible to put side by side with base on a single plinth (ie. 36" wide console with 24" base with terminal all together on a 60" plinth.
- Optional casters (require plinth) allow for a completely mobile, NEMA rated work station.
- Smooth lines and clean edges provide an attractive, contemporary appearance.

Standards

RAL 7035 Light Gray

- UL 508 Type 3R, 4, 12
- CSA Type 3R, 4, 12, 13
- EIA RS-310-D
- **Complies with**
 - NEMA Type 3R, 4, 12
 - IEC 60529, IP66

Stainless Steel (Type 304)

- UL 508 Type 3R, 4, 4X, 12
- CSA Type 3R, 4, 4X, 12
- **Complies with**
 - NEMA Type 3R, 4, 4X, 12
 - IEC 60529, IP66

Construction

- Formed 14 gauge steel bodies with 14 gauge steel door and lid.
- Also offered with formed 14 gauge 304 stainless steel bodies with 14 gauge 304 stainless steel door and lid.
- Smooth, continuously welded seams without knockouts or holes.
- Body stiffeners are provided where required for increased strength and rigidity.
- Offered in 4 widths 24", 36", 48" and 60".
- Has solid sides and back, solid door on front, 3 point adjustable lid on sloped (20°) top, and closed bottom with removable access panel.
- 24" and 36" widths have single door on the front whereas 48" and 60" widths have two outside hinged doors on the front.
- Doors can be hinged from either side on 24" and 36" units.
- Door profiles provide increased strength and are pre-punched to provide mounting options.
- Formed lip on enclosure excludes flowing liquids and contaminants.

- Slotted quarter turn oil-tight latches secure the door and lid, with optional tamper resistant and locking latches available.
- Stainless steel models utilize stainless steel hardware.
- Oil resistant gaskets are permanently secured and mechanically retained.
- Features internal stud locations for mounting optional inner panel.
- A bonding screw is provided on the door and a grounding stud is provided in the enclosure.

Finish

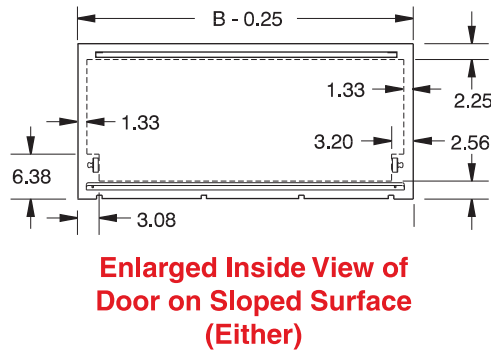
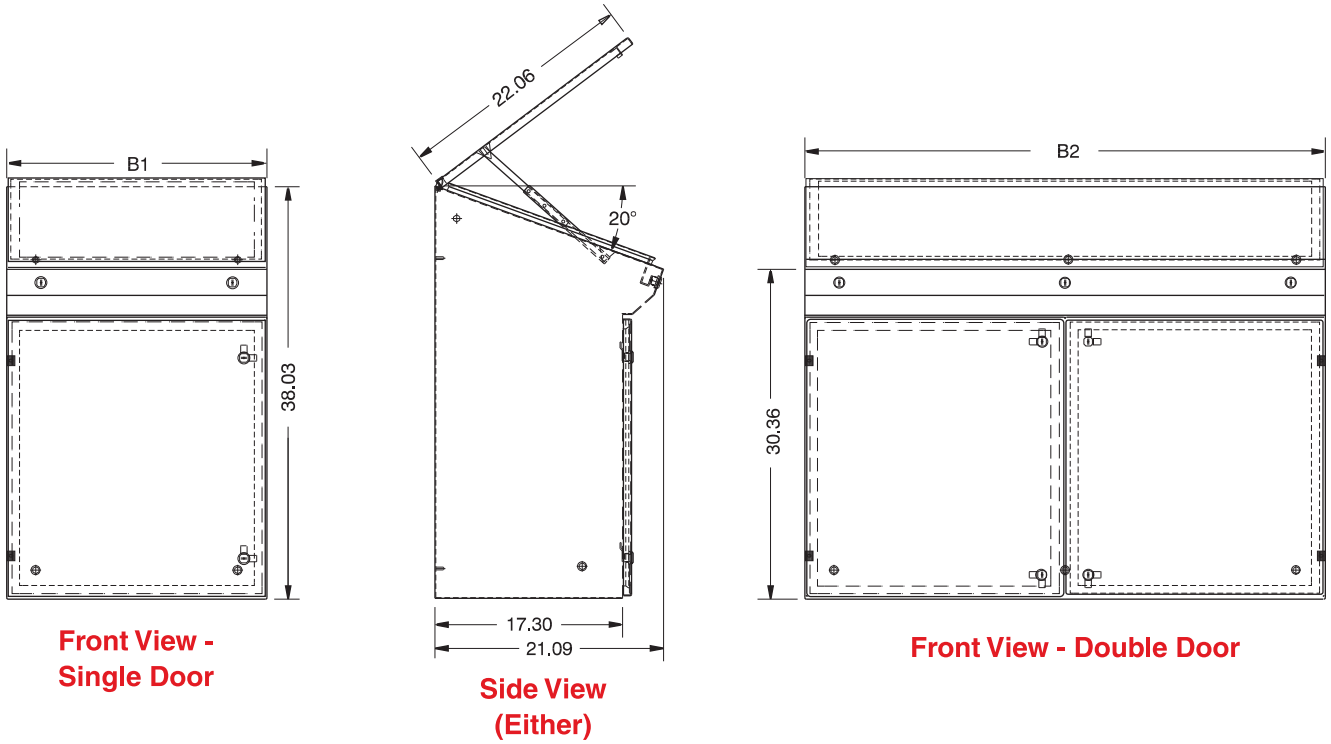
- Available in RAL 7035 light gray textured powder coating and natural stainless steel with a smooth, brushed finish.

Accessories

- Air conditioners...*see page 349-367*
- Blowers...*see page 389*
- Filter fans...*see page 371-384*
- Fan trays...*see page 391*
- Heaters...*see page 393-396*
- Series 2000 Modular Console Accessories...*see page 221-228*

Modular Console System

Series 2000 Modular Console System - NEMA 12, 4, 4X Consolelet

Operator Interface Enclosure
Modular Console System


RAL 7035 Light Gray Part No.	Stainless Steel Part No.	B1	B2
2CLC2024	2CSC2024	24	n/a
2CLC2036	2CSC2036	36	n/a
2CLC2048	2CSC2048	n/a	48
2CLC2060	2CSC2060	n/a	60

Series 2000 Modular Console System - NEMA 12, 4, 4X Terminal

Operator Interface Enclosure



Note: Pedestal, plinth and casters shown in photo are optional.



Note: Base and plinth shown in photo are optional.



Application

- Ideal as a housing for a complete personal computer system including video screen, keyboard and PLC.
- Flexible design provides panel mount or rack mount capabilities for a variety of applications.
- Generally used in combination with other modular console components (ie. base or pedestal). Mounting on base provides extra room for PLC's and/or printer-paper stands.
- Optional casters (require plinth) allow for a completely mobile, NEMA rated work station.
- Smooth lines and clean edges provide an attractive, contemporary appearance.

Standards

RAL 7035 Light Gray

- UL 508 Type 3R, 4, 12
- CSA Type 3R, 4, 12, 13
- EIA RS-310-D
- **Complies with**
 - NEMA Type 3R, 4, 12
 - IEC 60529, IP66

Stainless Steel (Type 304)

- UL 508 Type 3R, 4, 4X, 12
- CSA Type 3R, 4, 4X, 12
- EIA RS-310-D
- **Complies with**
 - NEMA Type 3R, 4, 4X, 12
 - IEC 60529, IP66

Construction

- Formed 14 gauge steel bodies with 14 gauge steel doors.
- Also offered with formed 14 gauge 304 stainless steel bodies with 14 gauge 304 stainless steel doors.
- Smooth, continuously welded seams.
- Body stiffeners are provided where required for increased strength and rigidity.
- Offered in 24" width only.
- Features solid sides and top, 2 solid doors on front (both open downlower, smaller door for keyboard shelf) and back (opens up), and open bottom.
- Lower drop down door provides access to optional slide-out keyboard drawer.
- Front doors feature sliding rod mechanism which allows a 102° opening when in the lowered position.
- Rear door features manual, 3 position adjustable door stop which provides convenient support while door in open position.
- Formed lip on enclosure excludes flowing liquids and contaminants.
- Slotted quarter turn oil-tight latches secure the door, with optional tamper resistant and locking latches available.
- Stainless steel models utilize stainless steel hardware.
- Oil resistant gaskets are permanently secured and mechanically retained.

- Features several internal stud locations for mounting of various accessories.
- A bonding screw is provided on the door and a grounding stud is provided in the enclosure.

Finish

- Available in RAL 7035 light gray textured powder coating and natural stainless steel with a smooth, brushed finish.
- 24" Front Window Door available in same finishes.

Accessories

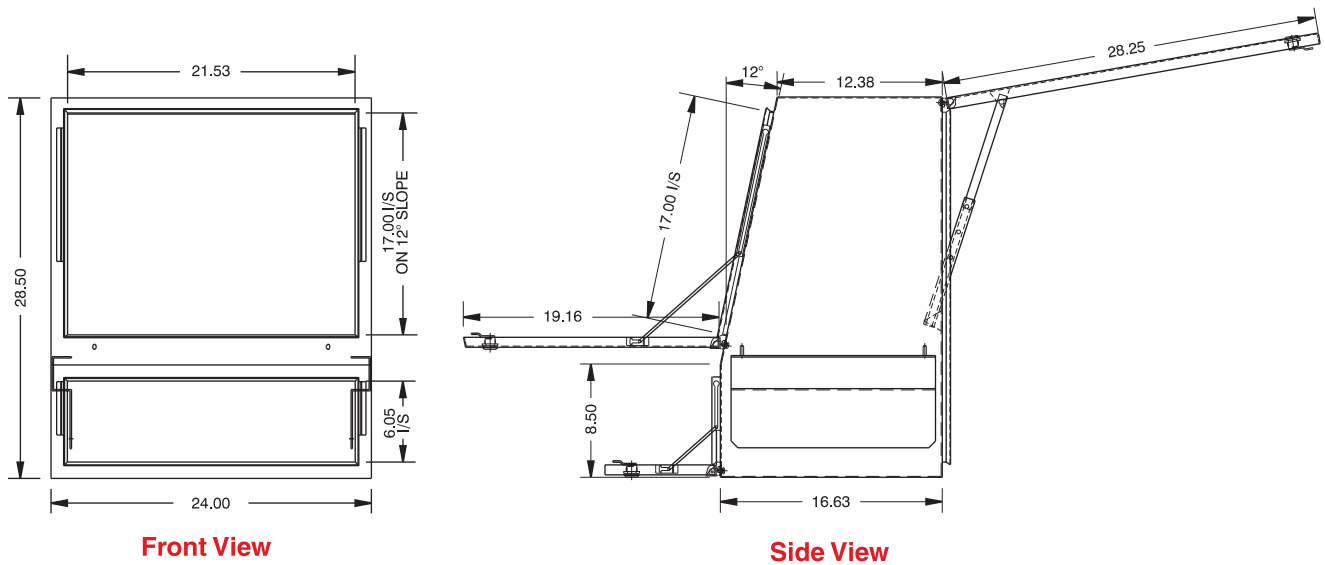
- Air conditioners...*see page 349-367*
- Blowers...*see page 389*
- Filter fans...*see page 371-384*
- Fan trays...*see page 391*
- Heaters...*see page 393-396*
- Series 2000 Modular Console Accessories...*see page 221-228*
- Rack Mount Accessories...*see page 229-232*

Modular Console System

Series 2000 Modular Console System - NEMA 12, 4, 4X Terminal

Operator Interface Enclosure

Modular Console System



Note: For added depth, see Data Terminal Extension Ring...see page [222](#)

Part No.	Finish
2CLD24R	Type 4 RAL 7035 Light Gray
2CSD24R	Type 4, 4X Stainless Steel

Terminal Keyboard shelf is optional...see page [225](#)

Series 2000 Modular Console System - NEMA 12, 4, 4X

Master Selection Tables

Operator Interface Enclosure



Master Selection Table - Modular Console System Components

System Width	Single Access Base	Dual Access Base	Standard Desk	Deep Desk
Type 4 RAL 7035 Light Gray				
24"	2CLB262418	2CLBX262418	2CLD82436	2CLD82443
36"	2CLB263618	2CLBX263618	2CLD83636	2CLD83643
48"	2CLB264818	2CLBX264818	2CLD84836	2CLD84843
60"	2CLB266018	2CLBX266018	2CLD86036	2CLD86043
Type 4, 4X Stainless Steel				
24"	2CSB262418	2CSBX262418	2CSD82436	2CSD82443
36"	2CSB263618	2CSBX263618	2CSD83636	2CSD83643
48"	2CSB264818	2CSBX264818	2CSD84836	2CSD84843
60"	2CSB266018	2CSBX266018	2CSD86036	2CSD86043

Modular Console System



Master Selection Table - Data Terminal

System Width	Plinth 4"	Plinth 8"	Footrest	Pedestal	24" Window Door	Terminal Keyboard Shelf
Type 4 RAL 7035 Light Gray						
24"	2CLP42418	2CLP82418	2CLF24	2CLS	2CLTW24	2CWDSR
Type 4, 4X Stainless Steel						
24"	2CSP42418	2CSP82418	2CSF24	2CSS	2CSTW24	2CWDSR

Master Selection Table - Consolet

System Width	Consolet	Plinth 4"	Plinth 8"	Footrest	Consolet Panel
Type 4 RAL 7035 Light Gray					
24"	2CLC2024	2CLP42418	2CLP82418	2CLF24	2CWCP24
36"	2CLC2036	2CLP43618	2CLP83618	2CLF36	2CWCP36
48"	2CLC2048	2CLP44818	2CLP84818	2CLF48	2CWCP48
60"	2CLC2060	2CLP46018	2CLP86018	2CLF60	2CWCP60
Type 4, 4X Stainless Steel					
24"	2CSC2024	2CSP42418	2CSP82418	2CSF24	2CWCP24
36"	2CSC2036	2CSP43618	2CSP83618	2CSF36	2CWCP36
48"	2CSC2048	2CSP44818	2CSP84818	2CSF48	2CWCP48
60"	2CSC2060	2CSP46018	2CSP86018	2CSF60	2CWCP60

Technical references and CAD downloads available at www.hammondmfg.com

All dimensions in inches unless specified otherwise

Series 2000 Modular Console System - NEMA 12, 4, 4X

Master Selection Tables

Operator Interface Enclosure

Master Selection Table - Modular Console System Components



System Width	Standard Turret	Deep Turret	Plinth 4"	Plinth 8"	Footrest	Pedestal
Type 4 RAL 7035 Light Gray						
24"	2CLT202436	2CLT202443	2CLP42418	2CLP82418	2CLF24	2CLS
36"	2CLT203636	2CLT203643	2CLP43618	2CLP83618	2CLF36	—
48"	2CLT204836	2CLT204843	2CLP44818	2CLP84818	2CLF48	—
60"	2CLT206036	2CLT206043	2CLP46018	2CLP86018	2CLF60	—
Type 4, 4X Stainless Steel						
24"	2CST202436	2CST202443	2CSP42418	2CSP82418	2CSF24	2CSS
36"	2CST203636	2CST203643	2CSP43618	2CSP83618	2CSF36	—
48"	2CST204836	2CST204843	2CSP44818	2CSP84818	2CSF48	—
60"	2CST206036	2CST206043	2CSP46018	2CSP86018	2CSF60	—

Master Selection Table - Data Terminal



System Width	Data Terminal	Data Terminal Extension Ring	Single Access Base	Dual Access Base	Base Panel
Type 4 RAL 7035 Light Gray					
24"	2CLD24R	2CLD24X	2CLB262418	2CLBX262418	2CWBP24
Type 4, 4X Stainless Steel					
24"	2CSD24R	2CSD24X	2CSB262418	2CSBX262418	2CWBP24

Modular Console System

X-ON Electronics

Largest Supplier of Electrical and Electronic Components

Click to view similar products for [Racks & Rack Cabinet Accessories](#) category:

Click to view products by [Hammond](#) manufacturer:

Other Similar products are found below :

[CR-1727](#) [M00-PLN](#) [F2420](#) [F2424](#) [8310-1032-SS](#) [9104](#) [PLFF2000](#) [PLFF6000](#) [GP216](#) [PTFA60000LG](#) [H-9163-B](#) [AC220-84-1](#) [HEH050BA](#)
[1427C3](#) [BAS-5104](#) [N-700-2](#) [190-002](#) [HTL10](#) [HTS10](#) [PC-118](#) [PC-780L](#) [PC-79](#) [PC-800](#) [SC4-28](#) [F3024](#) [AKWAMT](#) [PLFF1000](#) [GRPB12PG](#)
[CG3-340S/12](#) [2CWDP36](#) [2CWDP48](#) [2SSHINGE](#) [CP-001BK](#) [CPL19431LG1](#) [R570-004-107](#) [M6123-4007-SS](#) [TS170](#) [531300535](#) [BRX-](#)
[12290](#) [C4BD3077SBK1](#) [UPS 7-17-14 PLAIN](#) [LP40](#) [5261304-07](#) [CCA26-44-01](#) [706-102](#) [CG3-160G](#) [7112C-PLN ALUM](#) [CM10](#) [TS81](#) [7142](#)