

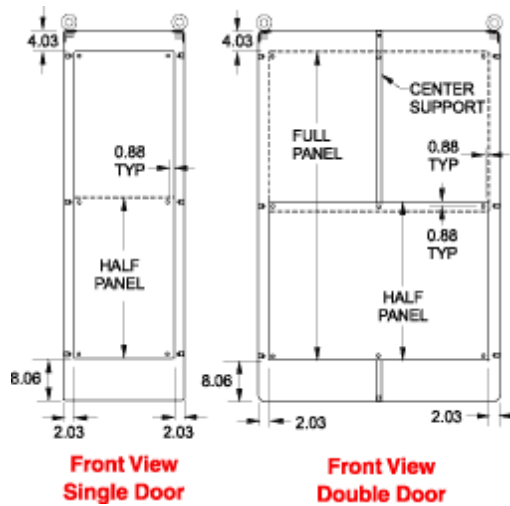


Quality Products. Service Excellence.

## Freestanding Enclosure Inner Panels



- Formed from 10 gauge or 12 gauge steel.
- All double door width panels are 10 gauge steel.
- Width panels are available in full or half height.
- Depth panels are available in full height only.
- Depth and width panels are provided with all mounting hardware and center support where required.
- Half panel can be mounted in the top or bottom half of the enclosure.
- Finished in white.



### Single Door Width Panels

| Steel    | Galv. Steel |             |           | Panel      |
|----------|-------------|-------------|-----------|------------|
| Part No. | Part No.    | Description | Enclosure | Size       |
| 60TWF    | 60TWF       | Full Panel  | 60 x 24   | 48.00 x 20 |
| 60TWH    | 60TWH       | Half Panel  |           | 24.87 x 20 |
| 72WF     | 72WF        | Full Panel  | 72 x 24   | 60.00 x 20 |
| 72WH     | 72WH        | Half Panel  |           | 30.87 x 20 |
| 90YWF    | 90YWF       | Full Panel  | 90 x 24   | 78.00 x 20 |
| 90YWH    | 90YWH       | Half Panel  |           | 39.87 x 20 |
| 72XF     | 72XF        | Full Panel  | 72 x 30   | 60.00 x 26 |
| 72XH     | 72XH        | Half Panel  |           | 30.87 x 26 |
| 60TYF    | 60TYF       | Full Panel  | 60 x 36   | 48.00 x 32 |
| 60TYH    | 60TYH       | Half Panel  |           | 24.87 x 32 |
| 72YF     | 72YF        | Full Panel  | 72 x 36   | 60.00 x 32 |
| 72YH     | 72YH        | Half Panel  |           | 30.87 x 32 |
| 90YF     | 90YF        | Full Panel  | 90 x 36   | 78.00 x 32 |
| 90YH     | 90YH        | Half Panel  |           | 39.87 x 32 |

### Double Door Width Panels

| Steel    | Galv. Steel |             |           | Panel |
|----------|-------------|-------------|-----------|-------|
| Part No. | Part No.    | Description | Enclosure | Size  |

| Steel    |          | Galv. Steel |           |            |  |
|----------|----------|-------------|-----------|------------|--|
| Part No. | Part No. | Description | Enclosure | Panel Size |  |
| 60AWFW   | 60AWFWG  | Full Panel  | 60 x 48   | 48.00 x 44 |  |
| 60AWHW   | 60AWHWG  | Half Panel  |           | 24.88 x 44 |  |
| 72ZFW    | 72ZFWG   | Full Panel  | 72 x 48   | 60.00 x 44 |  |
| 72ZHW    | 72ZHWG   | Half Panel  |           | 30.88 x 44 |  |
| 72ZXF    | 72ZXFG   | Full Panel  | 72 x 60   | 60.00 x 56 |  |
| 72ZXHW   | 72ZXHWG  | Half Panel  |           | 30.88 x 56 |  |
| 72ZYFW   | 72ZYFWG  | Full Panel  | 72 x 72   | 60.00 x 68 |  |
| 72ZYHW   | 72ZYHWG  | Half Panel  |           | 30.88 x 68 |  |
| 90BFW    | 90BFWG   | Full Panel  | 90 x 48   | 78.00 x 44 |  |
| 90BHW    | 90BHWG   | Half Panel  |           | 39.88 x 44 |  |
| 90BYFW   | 90BYFWG  | Full Panel  | 90 x 72   | 78.00 x 68 |  |
| 90BYHW   | 90BYHWG  | Half Panel  |           | 39.88 x 68 |  |

### Depth Panels

| Part No. | Encl. Height | Encl. Min Depth | Panel W | Panel H |
|----------|--------------|-----------------|---------|---------|
| 60FD14   | 60.00        | 18.00           | 14.00   | 48.00   |
| 72FD9    | 72.00        | 18.00           | 9.00    | 60.00   |
| 72FD14   | 72.00        | 18.00           | 14.00   | 60.00   |
| 72FD20   | 72.00        | 24.00           | 20.00   | 60.00   |
| 72FD26   | 72.00        | 36.00           | 26.00   | 60.00   |
| 90FD9    | 90.00        | 18.00           | 9.00    | 78.00   |
| 90FD14   | 90.00        | 18.00           | 14.00   | 78.00   |
| 90FD20   | 90.00        | 24.00           | 20.00   | 78.00   |
| 90FD26   | 90.00        | 36.00           | 26.00   | 78.00   |

*Data subject to change without notice*

© 2018. Hammond Manufacturing Ltd. All rights reserved.

## X-ON Electronics

Largest Supplier of Electrical and Electronic Components

*Click to view similar products for [Racks & Rack Cabinet Accessories](#) category:*

*Click to view products by [Hammond](#) manufacturer:*

Other Similar products are found below :

[CR-1727](#) [M00-PLN](#) [F2420](#) [F2424](#) [8310-1032-SS](#) [9104](#) [PLFF2000](#) [PLFF6000](#) [GP216](#) [PTFA60000LG](#) [H-9163-B](#) [AC220-84-1](#) [HEH050BA](#)  
[1427C3](#) [BAS-5104](#) [N-700-2](#) [190-002](#) [HTL10](#) [HTS10](#) [PC-118](#) [PC-780L](#) [PC-79](#) [PC-800](#) [SC4-28](#) [F3024](#) [AKWAMT](#) [PLFF1000](#) [GRPB12PG](#)  
[CG3-340S/12](#) [2CWDP36](#) [2CWDP48](#) [2SSHINGE](#) [CP-001BK](#) [CPL19431LG1](#) [R570-004-107](#) [M6123-4007-SS](#) [TS170](#) [531300535](#) [BRX-](#)  
[12290](#) [C4BD3077SBK1](#) [UPS 7-17-14 PLAIN](#) [LP40](#) [5261304-07](#) [CCA26-44-01](#) [706-102](#) [CG3-160G](#) [7112C-PLN ALUM](#) [CM10](#) [TS81](#) [7142](#)