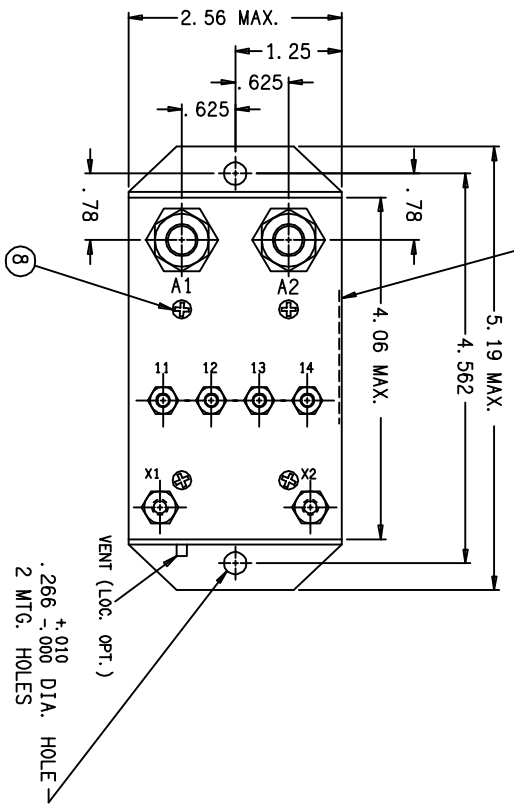


REV	DATE	DESCRIPTION	APPROVED
1	87/05/12	WAS CUSTOMER CONTROLLED-UPDATED NOTES	WS
2	94/08/29	REPROGRAM TO CAUSES INRUSH WAS 1500 AMP	RS
3	96/09/24	FIND NOS 16 & 17 ADDED	RS
4	99/04/22	FIND NO 17 DISC WAS OVERLAY-NAMEPLATE	RS
5	09/04/01	FIND NO 17 DISC WAS OVERLAY-NAMEPLATE	CB



CONSTRUCTION
 MAIN CONFIGURATION VOLTAGE (NOMINAL)
 CURRENT:
 GASKET SEALED (VENIED)
 SPST N. O.
 28 VDC
 400 AMP FOR 30 SEC.
 1000 AMP INRUSH
 1800 AMP INRUSH

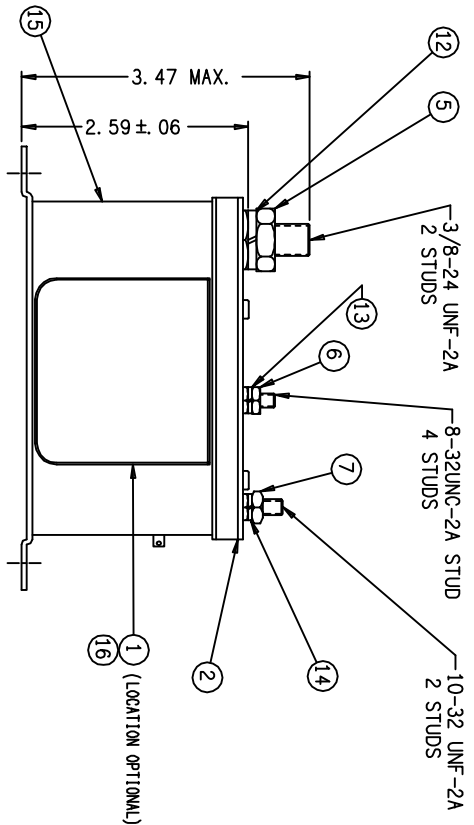
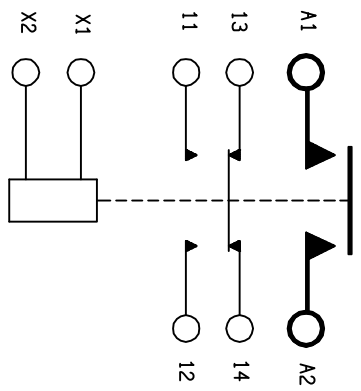
AUXILIARY CONTACTS
 CONFIGURATION
 VOLTAGE
 CURRENT: RES.
 SURGE

COIL DATA
 DUTY CYCLE
 NOMINAL VOLTAGE
 PICKUP MAX.
 PULL THROUGH
 DROP-OUT VOLTAGE
 RESISTANCE

ENVIRONMENTAL DATA
 AMBIENT TEMP
 LIFE ELECTRICAL
 LIFE MECHANICAL
 WEIGHT MAX. (EST.)

OPERATE BEFORE MAINS CLOSE
 FORWARD
 28VDC
 5 AMP 10 AMP CARRY ONLY
 30 AMP CARRY ONLY FOR 0.1 SEC.

INTERMITTANT
 24-30 VDC
 12 VDC
 6 VDC MAX AT 25°C
 .5 - 7V
 14 OHM ±20% AT 25°C



17	1	39529-007	OVERLAY-WIRING DIAGRAM		
16	1	39529-001	OVERLAY-NAME PLATE		
15	1	32687-010	CONTACTOR - ASSEM. -PRIMARY		
14	2	51810-054	WASHER LOOK #10 X .062 X .047 SPLIT		BRONZE
13	4	51808-064	WASHER LOOK #8 X .055 X .040 SPLIT		BRONZE
12	2	51807-084	WASHER LOOK 3/8 X .683 X .094 SPLIT		BRONZE
11					
10					
9					
8	4	51200-020	SCREW #4 X 1/4 SHEETMETAL		S.S.
7	2	50410-084	NUT 10-32 3/8 X 1/8 HEX.		AN345B10
6	4	50408-034	NUT 8-32 X 5/16 X 3/32 HEX.		BRASS
5	2	50407-164	NUT 3/8-24 X 5/8 X 7/32 HEX.		AN341-616
4	1	32691-001	PLATE - WIRING DIAGRAM		
3					
2	1	32552-002	PLATE - BASE COVER		
1	1	16043-001	NAME PLATE		

- NOTES:
 1. THIS UNIT MEETS THE APPLICABLE PORTIONS OF MIL-R-6106.
 2. FINISH REMOVED FROM MTG. SURFACE.

UNLESS OTHERWISE SPECIFIED DIMENSIONS ARE IN INCHES TOLERANCES IN ANGLES		DR BY		DATE	
±.06	±.010	RLS	99/05/05	99/05/05	05
		CHK BY	RS	99/05/12	05
		ENGR	JL	99/05/12	05
		MFG	CC	99/05/12	05
		SIZE			
		CODE IDENT			
		C	74063		
		SCALE	NONE	SHEET	

Tyco Electronics
 19 Hudson Blvd., 175 N. Diamond Street, Mansfield, Ohio 44802
 KSR
 400 AMP, 28 VOLTS
 093
 REF TE P/N 1616058-8

X-ON Electronics

Largest Supplier of Electrical and Electronic Components

Click to view similar products for [General Purpose Relays](#) category:

Click to view products by [TE Connectivity](#) manufacturer:

Other Similar products are found below :

[APF30318](#) [JVN1AF-4.5V-F](#) [PCN-105D3MHZ](#) [5JO-10000S-SIL](#) [5JO-1000CD-SIL](#) [5JO-400CD-SIL](#) [LY2S-AC220/240](#) [LYQ20DC12](#)
[6031007G](#) [6131406HQ](#) [6-1393099-8](#) [6-1393122-4](#) [6-1393123-2](#) [6-1393767-1](#) [6-1393843-7](#) [6-1415012-1](#) [6-1419102-2](#) [6-1423698-4](#) [6-](#)
[1608051-6](#) [6-1608067-0](#) [6-1616170-6](#) [6-1616248-2](#) [6-1616282-3](#) [6-1616348-2](#) [6-1616350-1](#) [6-1616350-8](#) [6-1616358-7](#) [6-1616359-9](#) [6-](#)
[1616360-9](#) [6-1616931-6](#) [6-1617039-1](#) [6-1617052-1](#) [6-1617090-2](#) [6-1617090-5](#) [6-1617347-5](#) [6-1617353-3](#) [6-1617801-8](#) [6-1618107-9](#) [6-](#)
[1618248-4](#) [M83536/1-027M](#) [CX-4014](#) [MAHC-5494](#) [MAVCD-5419-6](#) [703XCX-120A](#) [7-1393100-5](#) [7-1393111-7](#) [7-1393767-8](#) [7-1414968-8](#)
[7-1419130-3](#) [7-1608047-2](#)