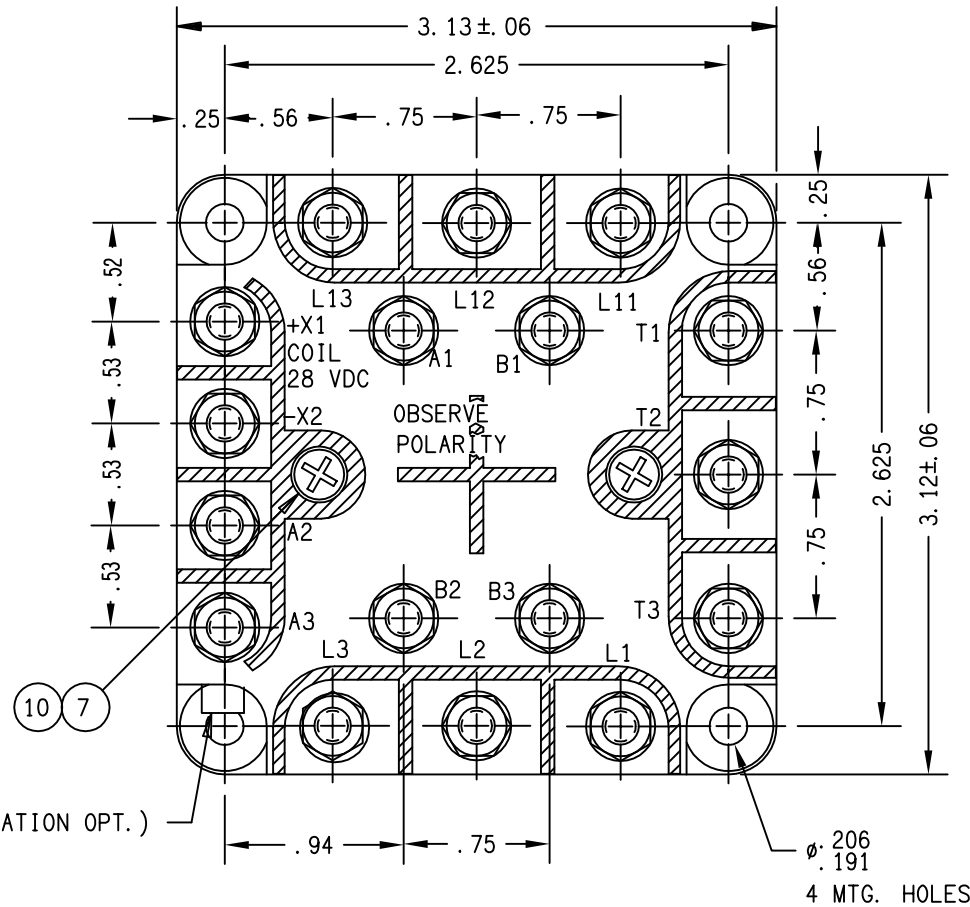
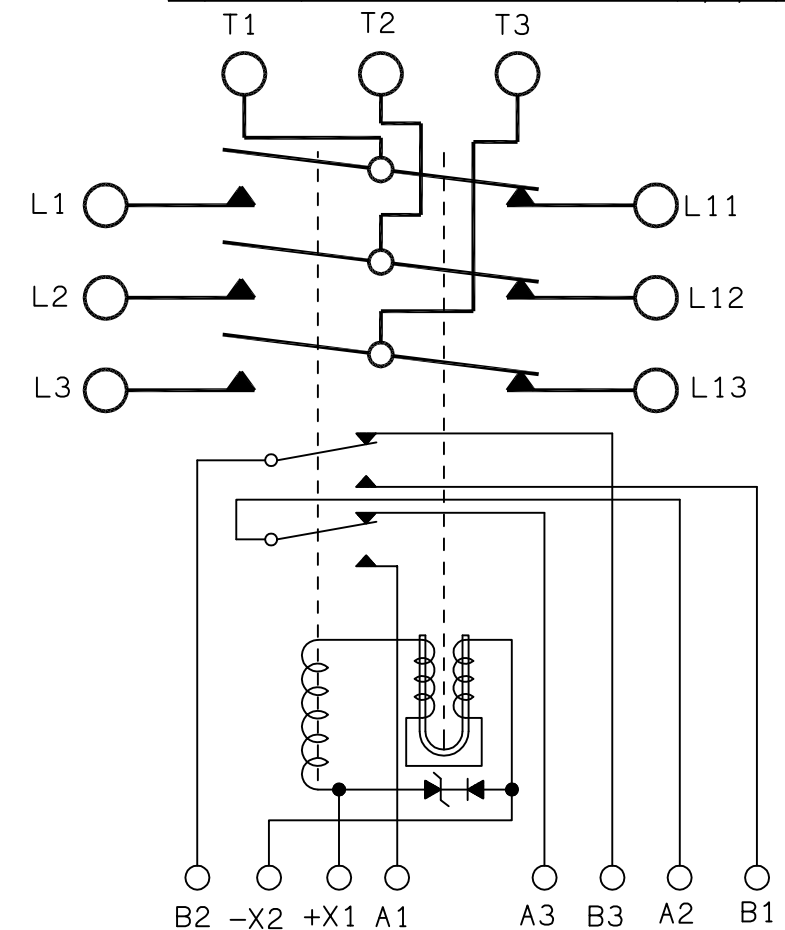


| REV. |           | DESCRIPTION                     | RELEASED DATE | APPROVED |
|------|-----------|---------------------------------|---------------|----------|
| E    | 22814     | ITEM 3 WAS -001                 | 2-18-93       | WS       |
| F    | 23843     | ADDED ITEM 13                   | 8/9/93        | WS       |
| K    | 06-00057  | CHANGED ITEM 7 VIEW TO PHILLIPS | 05/12/19      | CB       |
| L    | 11-024834 | ITEM 6 WAS -054                 | 11/12/01      | CB       |

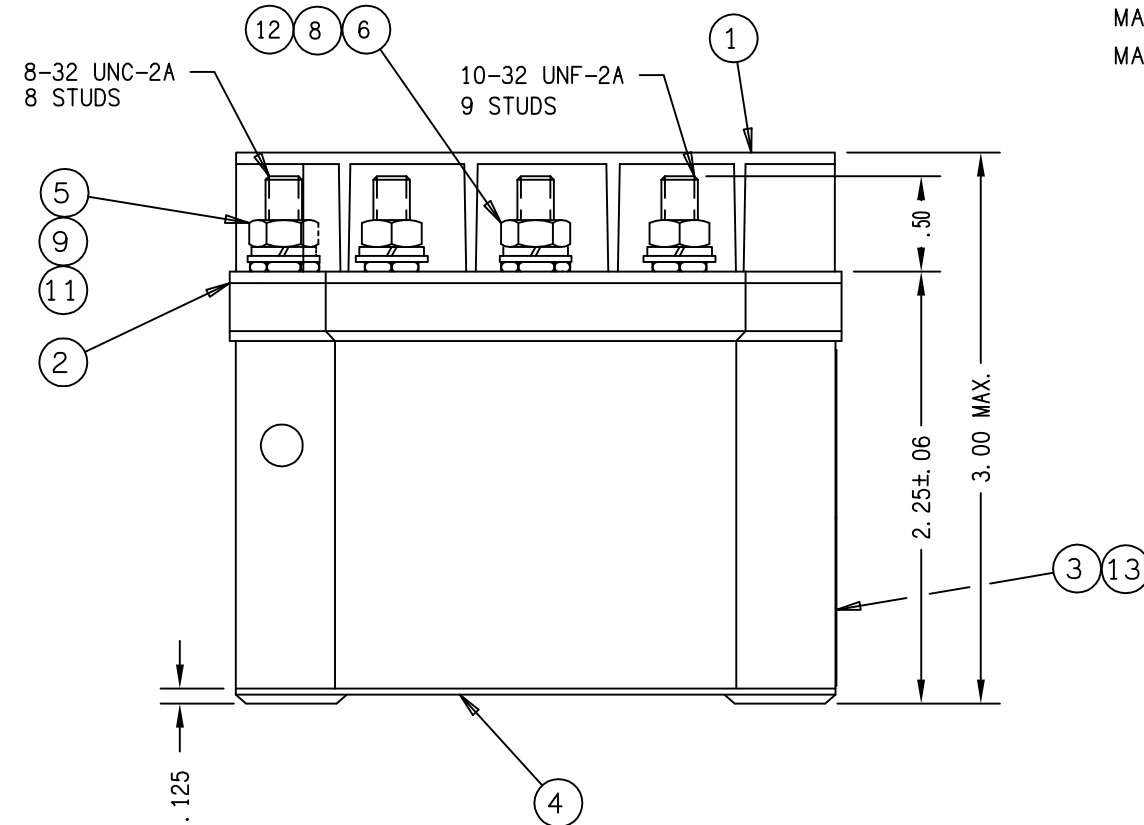


NOMINAL OPERATING VOLTAGE  
 COIL  
 CONTACTS  
 PICKUP VOLTAGE  
 DROPOUT VOLTAGE  
 CONTACT ARRANGEMENT  
 CONTACT RATING  
 RESISTIVE  
 INDUCTIVE  
 LAMP  
 MOTOR  
 CAPACITIVE  
 AUX. CONTACT RATING AT 28 VDC & 115 VAC. 400 HZ  
 RESISTIVE  
 INDUCTIVE  
 MOTOR  
 MAIN & AUX. CONTACT OPERATING TIMES  
 CLOSING  
 OPENING  
 TRANSFER  
 COIL CURRENT AT 29 V (EST) MAX & 25° C  
 INRUSH  
 MIN. OPERATING CYCLES ELECTRICAL  
 MAX AMBIENT TEMPERATURE  
 MAX WEIGHT

28 VDC  
 115/200 VAC 400 HZ  
 18 V MAX AT 85° C  
 7.0 TO 1.5 VDC  
 TPDT NC  
 60 AMP AC  
 35 AMP AC  
 10 AMP AC  
 15 AMP AC  
 60 AMP AC  
 5 AMP  
 3 AMP  
 3 AMP  
 50 MS MAX AT 18 VDC  
 35 MS MAX AT 28 VDC  
 10 MS AT 30 VDC  
 .5 AMP MAX  
 5 AMP MAX  
 50,000  
 -40° C TO +71° C  
 1 LB 8 OZ



VENT (LOCATION OPT.)



NOTES:

1. TERMINAL COVER TO BE STAMPED "DANGER HIGH VOLTAGE".
2. COIL TRANSIENT VOLTAGE LIMITED TO ±42 VOLTS REFERENCED TO ZERO VOLTS.

| FIND NO | QTY REQD | PART OR IDENTIFYING NO | NOMENCLATURE OR DESCRIPTION                  | FSCM NO | DRAWING OR SPECIFICATION | MATERIAL OR NOTE |
|---------|----------|------------------------|--|---------|--------------------------|------------------|
| 13      | 1        | 39529-001              | OVERLAY                                      |         |                          |                  |
| 12      | 9        | 51810-054              | WASHER - LOCK NO. 10 SPLIT                   |         | MS35338-100              | BRONZE           |
| 11      | 8        | 51808-064              | WASHER - LOCK NO. 8 X .307 MAX. X .047 SPLIT |         | MS35338-99               | BRONZE           |
| 10      | 2        | 51806-034              | WASHER - LOCK NO. 6 INT.                     |         | MS35333-68               | BRONZE           |
| 9       | 8        | 51712-104              | WASHER - 3/8 X 11/64 X .032                  |         | AN961-8                  | BRASS            |
| 8       | 9        | 51702-844              | WASHER - 3/8 X 13/64 X .032                  |         | AN961-10                 | BRASS            |
| 7       | 2        | 51206-644              | SCREW - 6-32 X 3/4 RD. HD.                   |         | MS35214-29               | BRASS            |
| 6       | 9        | 50410-174              | NUT - 10-32 X 5/16 X 9/64 HEX.               |         |                          | BRASS            |
| 5       | 8        | 50408-034              | NUT - 8-32 X 5/16 X 3/32 HEX.                |         |                          | BRASS            |
| 4       | 1        | 21432-040              | CONTACTOR ASSEMBLY - PRIMARY                 |         |                          |                  |
| 3       | 1        | 16043-035              | PLATE - NAME                                 |         |                          |                  |
| 2       | 1        | 14898-001              | PLATE - BASE COVER                           |         |                          |                  |
| 1       | 1        | 12531-003              | SHIELD - TERMINAL                            |         |                          |                  |

UNLESS OTHERWISE SPECIFIED DIMENSIONS ARE IN INCHES TOLERANCES ON

|           |           |        |
|-----------|-----------|--------|
| 2 PL DEC. | 3 PL DEC. | ANGLES |
| ±.03      | ±.010     | ± 1°   |

DR BY LCB 93/09/02  
 CHK BY WS 93/09/17  
 ENGR KK 93/09/23  
 MFG JF 93/09/22

REF: SIKORSKY 70550-22901-101

SIZE C CODE IDENT 74063

SCALE NONE SHEET

**TE**  
 Hartman Division 175 N. DIAMOND STREET MANSFIELD, OHIO 44902

CONTACTOR - T. P. D. T. N. C. 093

DWG NO. B-138XEH

REF TE P/N 1616028-3

## X-ON Electronics

Largest Supplier of Electrical and Electronic Components

*Click to view similar products for [General Purpose Relays](#) category:*

*Click to view products by [TE Connectivity](#) manufacturer:*

Other Similar products are found below :

[APF30318](#) [JVN1AF-4.5V-F](#) [PCN-105D3MHZ](#) [5JO-10000S-SIL](#) [5JO-1000CD-SIL](#) [5JO-400CD-SIL](#) [LY2S-AC220/240](#) [LYQ20DC12](#)  
[6031007G](#) [6131406HQ](#) [6-1393099-3](#) [6-1393099-8](#) [6-1393122-4](#) [6-1393123-2](#) [6-1393767-1](#) [6-1393843-7](#) [6-1415012-1](#) [6-1419102-2](#) [6-1423698-4](#) [6-1608051-6](#) [6-1608067-0](#) [6-1616170-6](#) [6-1616248-2](#) [6-1616282-3](#) [6-1616348-2](#) [6-1616350-1](#) [6-1616350-8](#) [6-1616358-7](#) [6-1616359-9](#) [6-1616360-9](#) [6-1616931-6](#) [6-1617039-1](#) [6-1617052-1](#) [6-1617090-2](#) [6-1617090-5](#) [6-1617347-5](#) [6-1617353-3](#) [6-1617801-8](#) [6-1617802-2](#) [6-1618107-9](#) [6-1618248-4](#) [M83536/1-027M](#) [CX-4014](#) [MAHC-5494](#) [MAVCD-5419-6](#) [703XCX-120A](#) [7-1393100-5](#) [7-1393111-7](#)  
[7-1393144-5](#) [7-1393767-8](#)