

REV	DESCRIPTION	DATE	APPROVED
R	23615 DELETE ITEM 11; ADD REF...CONNECTOR NOTE	93/5/11	
T	26518 FIND NO 8 PART NO WAS 51204-730	94/10/24	RS
U	44746 ITEM 12 WAS 51704-025	01/05/31	

CONSTRUCTION
GASKET SEALED & VENTED

MAIN CONTACTS
 CONFIGURATION
 VOLTAGE
 CURRENT: RES.
 IND.
 MOTOR

AUX. CONTACTS
 CONFIGURATION
 VOLTAGE
 CURRENT: RES.
 IND.
 LAMP

COIL DATA
 DUTY CYCLE
 NOM. COIL VOLTAGE
 PICKUP MAX.
 DROPOUT VOLTAGE
 RESISTANCE HOLD
 INRUSH
 CURRENT HOLD
 INRUSH

ENVIRONMENTAL DATA
 AMBIENT TEMP
 VIBRATION
 SHOCK
 ACCELERATION
 ALTITUDE

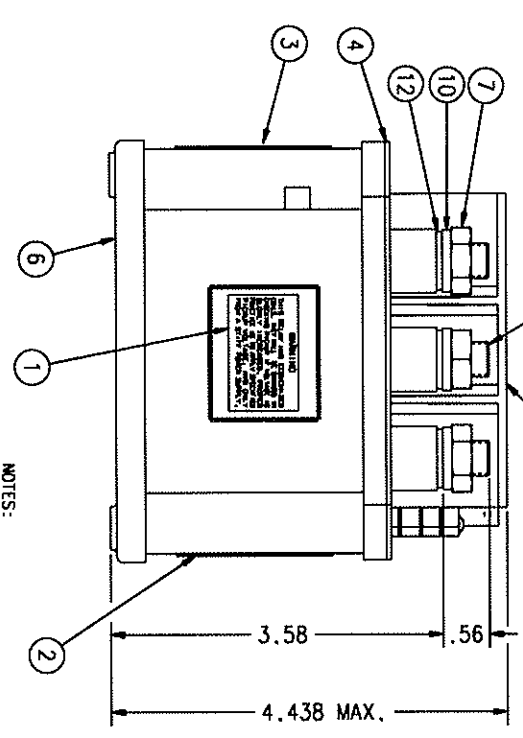
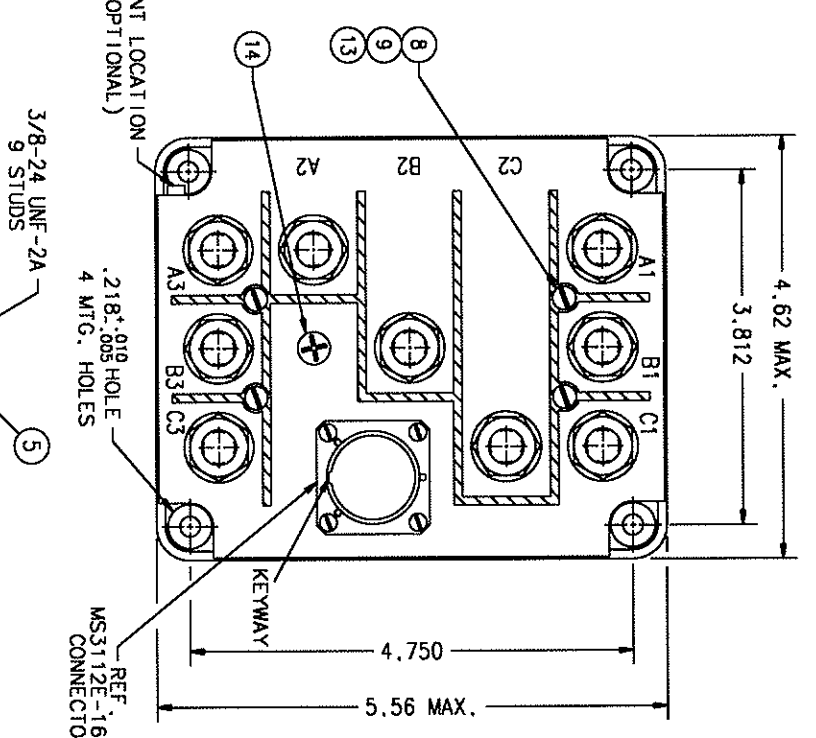
3PDT SIDE STABLE
 115/200 VAC 400HZ
 250 AMP
 250 AMP
 175 AMP
 2500 AMP

6PST NO 6PST NC
 28 VDC.
 5 AMP
 5 AMP
 2 AMP

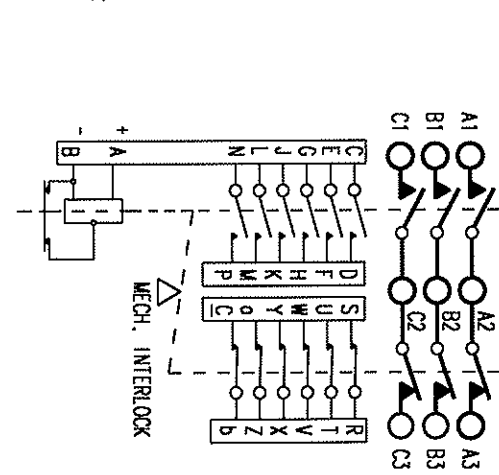
CONTINUOUS (ECONOMIZING)
 18 TO 30 VDC
 18 VDC
 7 VOLTS TO 1 VOLT
 48.5/320S AT 25°C
 4.5 OHM/20K AT 25°C
 0.7 AMP MAX. AT 25°C
 6 AMP MAX. AT 25°C

-70°C TO 71°C MAX
 .06 INCH DA FROM 5 TO 55 HZ
 10 G'S FROM 55 TO 500 HZ
 25 G'S FOR 6 TO 9 M SEC.
 15 G'S
 50,000 FEET MAX.

ENVIRONMENTAL DATA
 AMBIENT TEMP
 VIBRATION
 SHOCK
 ACCELERATION
 ALTITUDE



NOTES:
 1. MEET MIL-C-24010A (AS) PARA. 4.6.15.1 LOAD TRANSFER 3 PHASE, AC.



FIND NO	QTY	IDENTIFYING NO	PART OR IDENTIFYING NO	NOMENCLATURE OR DESCRIPTION	FSM NO	DRAWING OR SPECIFICATION	MATERIAL OR NOTE
14	4		51200-141	SCREW-3/16 SHEET METAL			STEEL
13	4		20384-002	WASHER-CAPITIVATING			BRASS
12	9		51704-024	WASHER-FLAT 5/8 X 25/64 X .062			BRASS
11	9		51807-084	WASHER-LOCK 3/8 X .688 X .094 SPLIT			BRONZE
10	4		51804-011	WASHER-LOCK NO. 4			BRONZE
8	4		51214-030	SCREW-4-40 X 1 1/4 RD HD.			ST. STEEL
7	9		50407-164	NUT 3/8-24 X 5/8 X 7/32 HEX.			BRASS
6	1		32252-010	CONNECTOR ASSEMBLY-PRIMARY			
5	1		29805-002	SHIELD-TERMINAL			
4	1		32125-001	PLATE-BASE COVER			
3	1		32127-001	PLATE-WIRING DIAGRAM			
2	1		16043-001	PLATE-NAME			
1	1		12771-001	PLATE-WARNING			

UNLESS OTHERWISE SPECIFIED
 DIMENSIONS ARE IN INCHES
 TOLERANCES ON
 2 PL DEC. 3 PL DEC. ANGLES
 ±.06 ±.010 ±.1°

HARTMAN® MANSFIELD, OHIO

CONTRACTOR-3PDT SIDE STABLE;
 250 AMPS, 115/200V, 400HZ, 093

DR BY CSC 01/06/11
 CHK BY JVA 01/06/11
 ENGR JVA 01/06/11
 MFG JVA 01-06-11
 RELEASE JVA 01-06-11
 CONTR NO.
 GOVT APVAL

SIZE CODE IDENT DWG NO.
 C 74063 B-394

SCALE NONE SHEET

X-ON Electronics

Largest Supplier of Electrical and Electronic Components

Click to view similar products for [General Purpose Relays](#) category:

Click to view products by [TE Connectivity](#) manufacturer:

Other Similar products are found below :

[APF30318](#) [JVN1AF-4.5V-F](#) [PCN-105D3MHZ](#) [5JO-10000S-SIL](#) [5JO-1000CD-SIL](#) [5JO-400CD-SIL](#) [LY2S-AC220/240](#) [LYQ20DC12](#)
[6031007G](#) [6131406HQ](#) [6-1393099-3](#) [6-1393099-8](#) [6-1393122-4](#) [6-1393123-2](#) [6-1393767-1](#) [6-1393843-7](#) [6-1415012-1](#) [6-1419102-2](#) [6-](#)
[1423698-4](#) [6-1608051-6](#) [6-1608067-0](#) [6-1616170-6](#) [6-1616248-2](#) [6-1616282-3](#) [6-1616348-2](#) [6-1616350-1](#) [6-1616350-8](#) [6-1616358-7](#) [6-](#)
[1616359-9](#) [6-1616360-9](#) [6-1616931-6](#) [6-1617039-1](#) [6-1617052-1](#) [6-1617090-2](#) [6-1617090-5](#) [6-1617347-5](#) [6-1617353-3](#) [6-1617801-8](#) [6-](#)
[1617802-2](#) [6-1618107-9](#) [6-1618248-4](#) [M83536/1-027M](#) [CX-4014](#) [MAHC-5494](#) [MAVCD-5419-6](#) [703XCX-120A](#) [7-1393100-5](#) [7-1393111-7](#)
[7-1393144-5](#) [7-1393767-8](#)