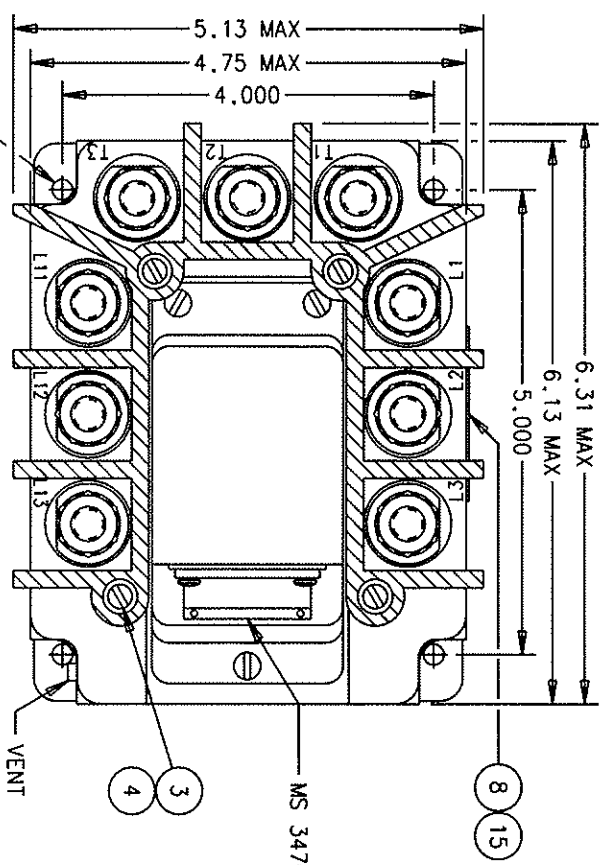
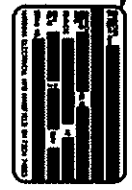
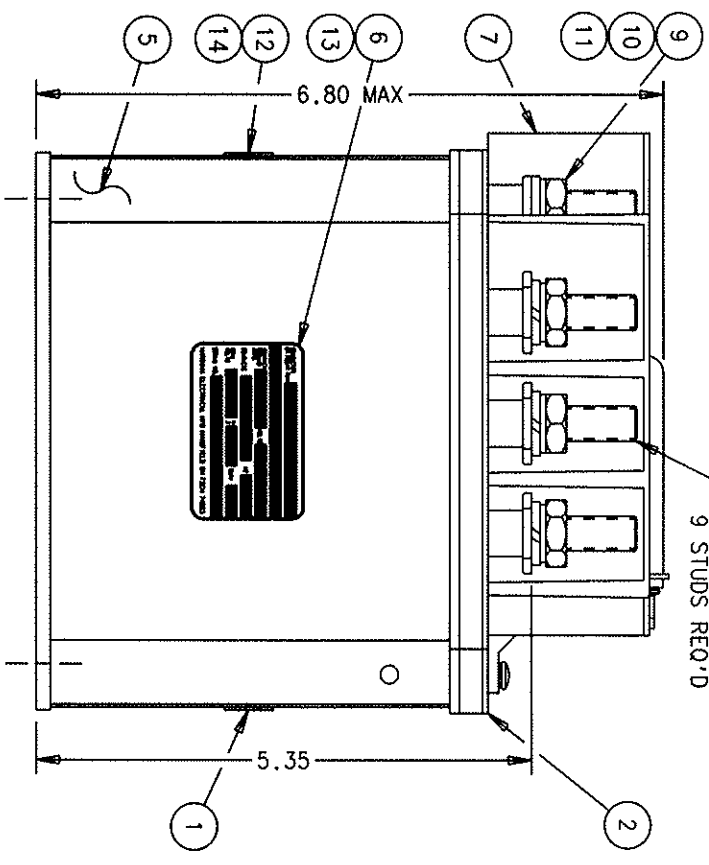
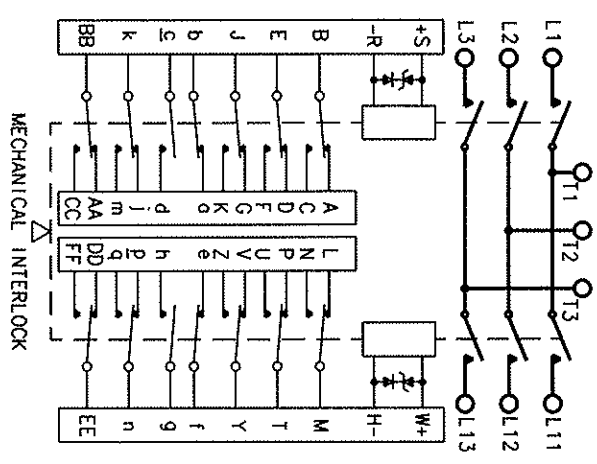


FAA/PMA

REV	DATE	DESCRIPTION	APPROVED
A	96-06-27	DELETED ITEM 12 P/N 58400-107 AND ITEM 14 P/N 39529-024	RS
B	00/05/10	FAA/PMA & FIND NOS 12 & 14 ADDED	RS



- NOTES:
1. THIS UNIT MEETS THE MATERIAL AND WORKMANSHIP REQUIREMENTS OF MIL-R-61006
 2. KEYWAY POSITIONED TOWARDS TOP OF CONNECTOR
 3. COIL TRANSIENT VOLTAGE LIMITED TO ± 42V MAX
 4. DIODES TO BE JAN1X 1000 PIV



FIND NO	QTY	PART OR IDENTIFYING NO	NOMENCLATURE OR DESCRIPTION	DRAWING OR SPECIFICATION	MATERIAL OR NOTE
15	1	39529-008	OVERLAY		
14	1	39529-024	OVERLAY		
13	1	39529-031	OVERLAY		
12	1	58400-178	PLATE-FAA/PMA		
11	9	51807-084	WASHER - 3/8 X .688 X .094 SPLIT		BRONZE
10	9	51704-024	WASHER - 5/8 X .390 X .064		BRASS
9	9	50407-164	NUT - 3/8-24 X 5/8 X 7/32		BRASS
8	1	44237-001	PLATE - WIRING DIAGRAM		
7	1	25606-002	SHIELD - TERMINAL		
6	1	16043-001	PLATE - NAME		
5	1	38890-040	CONTACTOR ASSY - PRI		
4	4	51806-031	WASHER - LOCK NO.6 LOCK-SPLIT		S. STEEL
3	4	51206-821	SCREW - 6-32 X 1-1/2 RD. HD.		STEEL
2	1	38762-001	PLATE - BASE COVER		
1	1	25695-001	PLATE - WARNING		

UNLESS OTHERWISE SPECIFIED DIMENSIONS ARE IN INCHES TOLERANCES ARE	
± .06	± .010
2 PL. DEC. 3 PL. DEC. ANGLES ± 1°	
MATERIAL	
REF	MCDONNELL DOUGLAS
MD-11	
DR BY	RLS 00/05/25
CHK BY	RS 00/05/25
ENGR	WJS 00-05-31
MFG	WJS 00-06-09
RELEASE	
CONTR NO.	
GOVT. APPROV.	

HARTMAN ELECTRICAL MANUFACTURING MANSFIELD, OHIO	
A.C. POWER CONTACTOR 175 - 250 AMP TPDT CENTER OFF	
SIZE	CODE IDENT
C	74063
SCALE	DWG NO.
	B-461D-1
SHEET 1 OF 2	

FAA/PMA

REV	DESCRIPTION	DATE	APPROVED
B	SEE SHEET 1 FOR REVISIONS		<i>[Signature]</i>

CLASS AS TYPE 11/MIL-R-6106E EXCEPT AS NOTED
 CONSTRUCTION GASKET SEALED (VENTED)

MAIN CONTACTS
 CONFIGURATION 3PDT CENTER OFF
 VOLTAGE (NOMINAL) 115/208 VAC, 400 HZ.
 CURRENT: RESISTIVE 250 AMP/MIL-R-6106E
 MOTOR 175 AMP
 RUPTURE 1750 AMP
 INTERRUPT 2500 AMP

AUXILIARY CONTACTS
 CONFIGURATION 10 SPDT
 4 SPST
 28 VDC OR 115 VAC, 400 HZ.
 5 AMP WITH A CONTACT VOLTAGE DROP OF 200MV MAX.
 5 AMP
 3.7 AMP

COIL DATA
 DUTY CYCLE CONTINUOUS
 COIL VOLTAGE, NOMINAL 28 VDC
 PICKUP MAX. 18 VDC AT 25°C
 DROPOUT 1 TO 7 VDC AT 25°C
 CURRENT: HOLD : 7 AMP MAX. AT 25°C
 PICKUP TIME 50 MS MAX. AT 28 VDC
 RELEASE TIME 35 MS MAX. AT 28 VDC

ENVIRONMENTAL DATA
 AMBIENT TEMPERATURE -55°C TO +71°C
 VIBRATION: SINE .036 INCH DA FROM 10 TO 75 HZ.
 10 G'S FROM 75 TO 500 HZ.
 ACCELERATION 10 G'S
 SHOCK 15 G'S MAX. FOR 11 MS
 ALTITUDE 50,000 FEET MAX.

LIFE 50,000 CYCLES MIN.
 ELECTRICAL 100,000 CYCLES MIN.
 MECHANICAL
 WEIGHT 7 LBS. MAX.

UNLESS OTHERWISE SPECIFIED DIMENSIONS ARE IN INCHES TOLERANCES ON		2 PL DEC.13 PL DEC. ANGLES	
MATERIAL	DR BY	RLS	00/05/25
	CHK BY	CS	00/05/25
	ENGR	WS	00-05-31
	MFG	PL	00-06-01
	RELEASE		
	CONTR NO.		
	GOVT APPROV		
HARTMAN ELECTRICAL MANUFACTURING MANSFIELD, OHIO		A.C. POWER CONTACTOR	
SIZE		CODE IDENT	DWG NO.
C		74063	B-461D-1
SCALE		SHEET 2 OF 2	

X-ON Electronics

Largest Supplier of Electrical and Electronic Components

Click to view similar products for [General Purpose Relays](#) category:

Click to view products by [TE Connectivity](#) manufacturer:

Other Similar products are found below :

[APF30318](#) [JVN1AF-4.5V-F](#) [PCN-105D3MHZ](#) [5JO-10000S-SIL](#) [5JO-1000CD-SIL](#) [5JO-400CD-SIL](#) [LY2S-AC220/240](#) [LYQ20DC12](#)
[6031007G](#) [6131406HQ](#) [6-1393099-3](#) [6-1393099-8](#) [6-1393122-4](#) [6-1393123-2](#) [6-1393767-1](#) [6-1393843-7](#) [6-1415012-1](#) [6-1419102-2](#) [6-](#)
[1423698-4](#) [6-1608051-6](#) [6-1608067-0](#) [6-1616170-6](#) [6-1616248-2](#) [6-1616282-3](#) [6-1616348-2](#) [6-1616350-1](#) [6-1616350-8](#) [6-1616358-7](#) [6-](#)
[1616359-9](#) [6-1616360-9](#) [6-1616931-6](#) [6-1617039-1](#) [6-1617052-1](#) [6-1617090-2](#) [6-1617090-5](#) [6-1617347-5](#) [6-1617353-3](#) [6-1617801-8](#) [6-](#)
[1617802-2](#) [6-1618107-9](#) [6-1618248-4](#) [M83536/1-027M](#) [CX-4014](#) [MAHC-5494](#) [MAVCD-5419-6](#) [703XCX-120A](#) [7-1393100-5](#) [7-1393111-7](#)
[7-1393144-5](#) [7-1393767-8](#)