

REV.	DATE	E.C.N. NUMBER AND REVISION COMMENTS
A	08.09.96	E.C.N. #10221.
B	10.31.96	E.C.N. #10276.
C	11.12.01	E.C.N. #10810. & REDRAWN IN 3D.
D	09.13.11	E.C.N. #10BRDR. & REDRAWN.

PART NUMBER	SS1-LXR3816SRD-150
REV.	

ELECTRO-OPTICAL CHARACTERISTICS I<sub>a</sub>=25°C I<sub>f</sub>=20mA

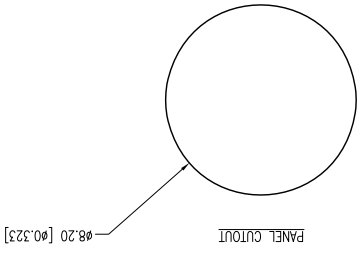
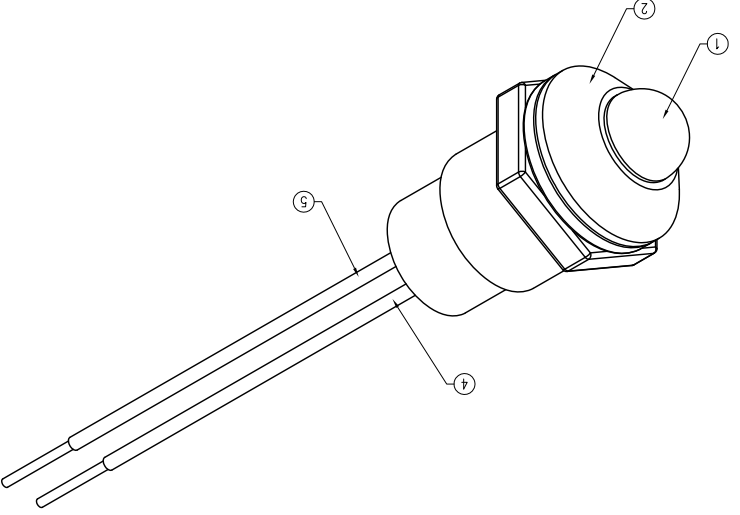
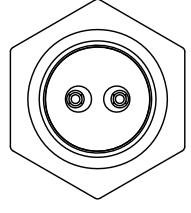
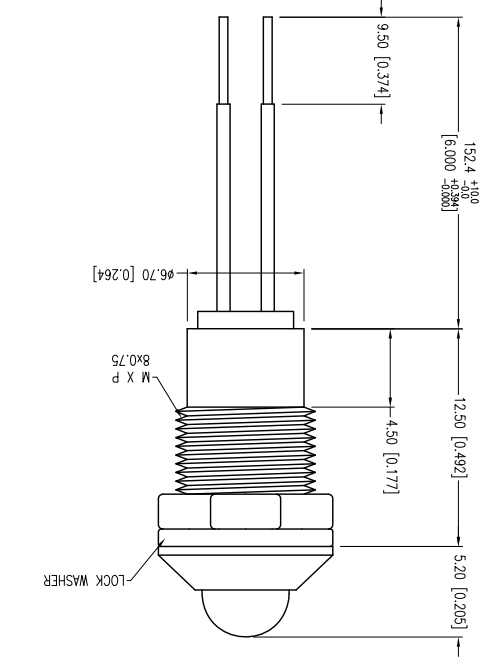
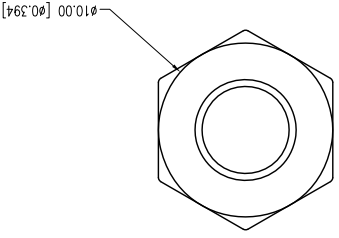
PARAMETER	MIN	TYP	MAX	UNITS	TEST COND
PEAK WAVELENGTH	660			nm	
FORWARD VOLTAGE	1.8	2.2		V <sub>f</sub>	I <sub>f</sub> =100μA
REVERSE VOLTAGE	5.0			V <sub>r</sub>	I <sub>f</sub> =20mA
AXIAL INTENSITY	40			mcad	I <sub>f</sub> =20mA
VIEWING ANGLE	60			2x theta	
EMITTED COLOR:	RED				
LENS FINISH:	RED DIFFUSED				

LIMITS OF SAFE OPERATION AT 25°C

PARAMETER	MAX	UNITS
PEAK FORWARD CURRENT*	150	mA
STEADY CURRENT	30	mA
POWER DISSIPATION	100	mW
DERATE FROM 25°C	-1.2	mW/°C
OPERATING TEMP.	-40 TO +85	°C
STORAGE TEMP.	-40 TO +85	°C
SOLDERING TEMP.	+260	°C
* I<sub>t</sub>ops		SEC.

NOTES:

1. SS1-LXR3816, CHROME HOUSING.
2. SS1-LXR3816, CHROME HOUSING, INSERT AND CRIMP.
3. SSH-LXH4816BS6, BUSHING (NOT SHOWN), INSERT AND CRIMP.
4. ANODE LEAD: LXP-WST24RDT0C, 24 AWG, TINNED OVERCOAT, RED INSULATION.
5. CATHODE LEAD: LXP-WST24BLT0C, 24 AWG, TINNED OVERCOAT, BLACK INSULATION.
6. CUT 160mm LONG, STRIP BOTH ENDS 3mm & 9.5mm.
7. CUT 160mm LONG, STRIP BOTH ENDS 3mm & 9.5mm.
8. CRIMP WIRES TO LED LEADS.

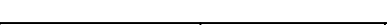


UNLESS OTHERWISE SPECIFIED TOLERANCES PER DECIMAL PRECISION ARE: X=±1 (±0.039), Y=±0.5 (±0.020), Z=±0.25 (±0.010), X,XX=±0.127 (±0.005), LEAD SIZE=±0.05 (±0.002), LEAD LENGTH=±0.75 (±0.030), MIN=-0.00, +DECIMAL PRECISION MAX=+0.00, -DECIMAL PRECISION

DATE:	09.13.11	DRAWN BY:	AB
PAGE:	1 OF 1	CHKD BY:	KF
SCALE:	NTS	APRVD BY:	KF
UNIT:	mm [INCH]		

T-5mm 660nm SUPER RED LED PANEL INDICATOR, RED DIFFUSED LENS, 6.0" WIRE LEADS.  
 \*\*THE SPECIFICATIONS MAY CHANGE AT ANY TIME WITHOUT NOTICE DUE TO NEW MATERIALS OR PRODUCT IMPROVEMENT.\*\*  
 CONFIDENTIAL INFORMATION  
 THE INFORMATION CONTAINED IN THIS DOCUMENT IS THE PROPERTY OF LUMEX INC. EXCEPT AS SPECIFICALLY AUTHORIZED IN WRITING BY LUMEX INC., THE HOLDER OF THIS DOCUMENT SHALL KEEP ALL INFORMATION CONTAINED HEREIN CONFIDENTIAL AND SHALL PROTECT SAME IN WHOLE OR IN PART FROM DISCLOSURE AND DISSEMINATION TO ALL THIRD PARTIES.

MEMBER OF ITW PHOTONICS GROUP  
 WEB: WWW.LUMEX.COM  
 FAX: +1.847.359.6538  
 PHONE: +1.847.359.2790  
 PALATINE, IL 60067-6976  
 290 E. HELEN ROAD



## X-ON Electronics

Largest Supplier of Electrical and Electronic Components

*Click to view similar products for [LED Panel Mount Indicators](#) category:*

*Click to view products by [Lumex](#) manufacturer:*

Other Similar products are found below :

[607-1312-310F](#) [607-3232-140F](#) [6091M1-24V](#) [6091M5-24V](#) [6091M7-24V](#) [821-0331-503](#) [FL2870C8R](#) [FL2950WL7B](#) [FL589WL8R](#)  
[Q6P3BXXB12E](#) [H8630FBBA3](#) [MPC5ADW6.0](#) [DX1091GN](#) [NL177WL3G](#) [NL276C3G](#) [NL2950BWL3G](#) [NL2950CWL2R](#) [NL589WL2R](#)  
[NL67C3G](#) [NL67C3R](#) [2191L1-12V](#) [PB22SIOL0RG](#) [PB22SPPM41R](#) [PB22SPPM61R](#) [LE177C5B](#) [LH1048BSWL3702](#) [LH1048BWL3702](#)  
[LH382A](#) [LHM62B](#) [SSI-LXH387USBD-150](#) [SSI-LXH9ZIC40587](#) [SSP-LXS110818BA](#) [FL2950BWL7R](#) [FL2950WL7R](#) [FL2951WL8G](#)  
[FL2951WL8R](#) [FL589C7R](#) [FL67C7R](#) [FL67WL8G](#) [2191QU7-24V](#) [2191U1-12V](#) [2191U5-12V](#) [2191U5-6V](#) [2191U7-12V](#) [249-4167-3734-504F](#) [Q6P5BXXG02E](#) [3990A7](#) [5110F3-12V](#) [MPC5BCW18.0](#) [556-1237-801F](#)