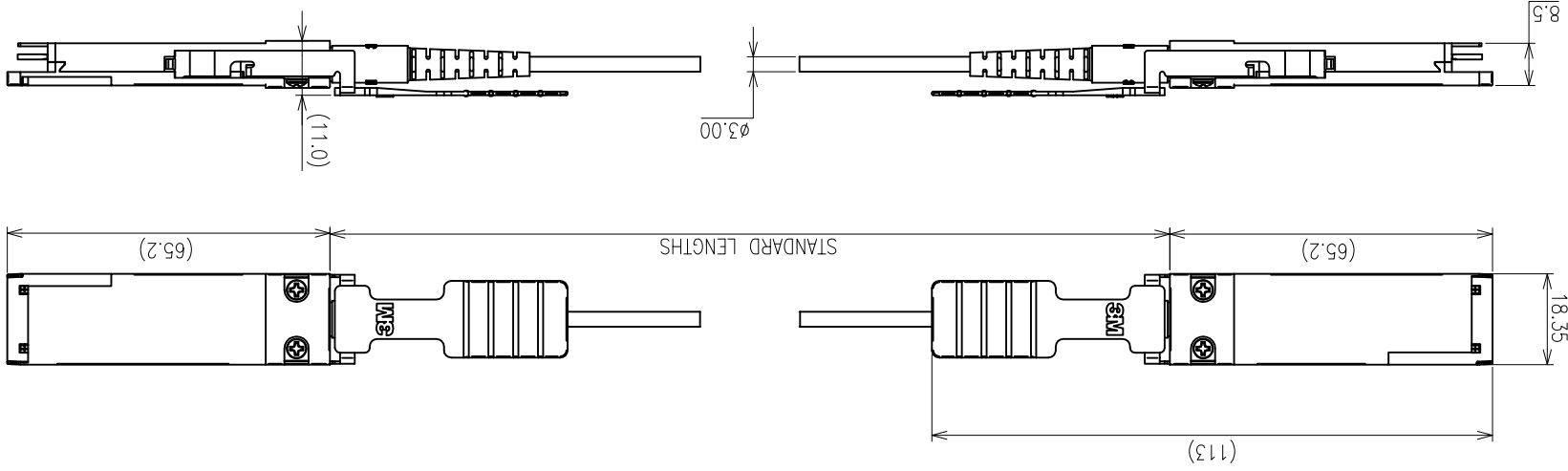


3M™ Active Optical Cable (AOC) Assemblies for QSFP+ Applications
 Visit <http://www.3Mconnectors.com>

REVISION RECORD		
REV.	ECR/ECN/ECO NUMBER	DATE
c	ECR/ECO-0048886	18/07/13
d	ECR/ECO-0052457	28/01/14



3M PART NUMBERS

6A22-X04X1-XXX-0-0

STANDARD LENGTHS: 1 m INCREMENTS FROM 2m TO 30m,
 35m, 40m, 45m, 50m, 60m, 70m, 80m, 90m, 100m

CABLE TYPE: 2 - ORANGE OM2+, PLENUM RATED THERMOPLASTIC
 4 - ORANGE OM2+, LOW SMOKE ZERO HALOGEN RATED
 THERMOPLASTIC (LSZH)

DATA RATE: A - QDR INFINIBAND / D - FDR INFINIBAND

PART NUMBER DESCRIPTION

Example: 6A22-A0421-002.0-0 AOC, QSFP-QSFP, QDR INFINIBAND, 4CH, PLENUM, OM2+, 2m
 6A22-D0441-003.0-0 AOC, QSFP-QSFP, FDR INFINIBAND, 4CH, LSZH, OM2+, 3m

NOTES:

1. SHELL MATERIAL: ZINC ALLOY
 FINISHING: NICKEL PLATING
2. UNLESS OTHERWISE NOTED, REFERENCES TO INDUSTRY SPECIFICATIONS ARE INTENDED TO INDICATE SUBSTANTIAL COMPLIANCE TO THE MATERIAL ELEMENTS OF THE SPECIFICATION. SUCH REFERENCES SHOULD NOT BE CONSTRUED AS A GUARANTEE OF COMPLIANCE TO ALL REQUIREMENTS IN A GIVEN SPECIFICATION.
3. CABLE LENGTH TOLERANCE:

CABLE LENGTH	TOLERANCE
<10m	+40cm/-20cm
10m to 50m	+40cm/-30cm
>50m	+40cm/-50cm

UNIT: MM	DFTG	YUNLONG QIAO	DATE	18/07/13
GEN. TOLERANCES	CHKD	YUNLONG QIAO	DATE	18/07/13
LINEAR	APPLY	SAJIT BANDHU	DATE	18/07/13
ANGLE ±1°	THIS DOCUMENT CONTAINS INFORMATION WHICH IS PROPRIETARY TO 3M COMPANY. NO REPRODUCTION OR PUBLICATION OF THIS DOCUMENT, IN WHOLE OR IN PART, SHALL BE MADE WITHOUT AUTHORIZATION FROM 3M. © 3M 2014. ALL RIGHTS RESERVED.			
PROJECTION	INTERPRET PER ASME Y14.5M-1994			
CRITICAL DIMENSION: ▼				
SCALE: NTS				
DET LIST <input type="checkbox"/> YES <input type="checkbox"/> NO				
SHT 1 of 1				

8 7 6 5 4 3 2 1

F F E D C B A

X-ON Electronics

Largest Supplier of Electrical and Electronic Components

Click to view similar products for [Adhesive Tapes](#) category:

Click to view products by [3M](#) manufacturer:

Other Similar products are found below :

[PF24.0W](#) [4718](#) [4516-1/4x36](#) [56-YELLOW-34"X72YD](#) [00-021200-13972-7](#) [021200-64630](#) [60 TAPE \(1"\)](#) [62-GRAY-12"X36YD](#) [62-GRAY-1"X36YD](#) [69-1"X36YD](#) [764-1"x36yd-Red](#) [764-1"x36yd-White](#) [PG ASSY](#) [926-1/4X18YD](#) [967454-1](#) [1194-14"X36YD](#) [1181 19MM X 16,5 METERS](#) [1182-7.7X10](#) [1245-34"X18YD](#) [1267](#) [130C-1X15FT](#) [130-1x10FT](#) [1345-3/8x18yrd](#) [1380-2"X8"](#) [E39-RS1-CA](#) [1900-48mm](#) [22-1/2X36YD](#) [2229-P-2-1/2x3-3/4](#) [88-SUPER-34X44FT](#) [890103N001](#) [2670](#) [SJ3527N-Black-1.5"x50yd](#) [EVK-TA-TM047NBH01](#) [AD-UCUSB-DCAUD-SPL](#) [20-1"X60YDS](#) [2020-18mmx55m](#) [H150](#) [3900-Blue](#) [3939-24mmx55m](#) [396-1"x36yd](#) [4016-34"x36yd](#) [4462W-12"x72yd](#) [44-TAN-14"X90YD](#) [4504-34x18](#) [471-Trans-1"x36yd-Bulk](#) [5414 34X36](#) [C-22](#) [35-Gray-1/2](#) [371-Tan-48mmx50m](#) [4008-12"X36YD](#)