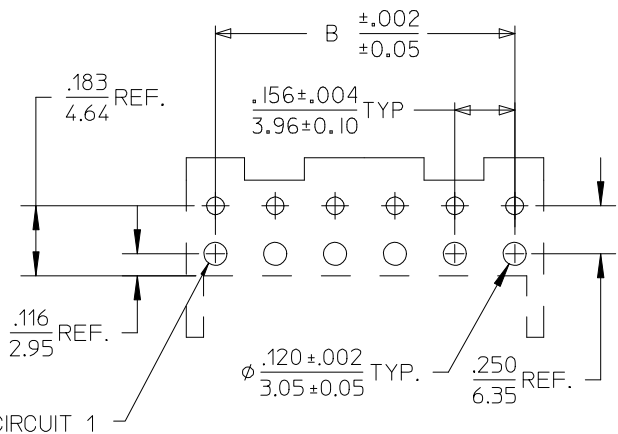


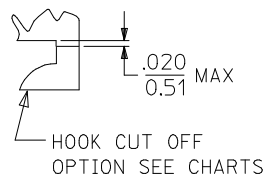
NOTES:

- HOUSING MATERIAL: NYLON, UL 94V-2
- FINISH:
 - (909) = OVERALL HOT TIN DIP: .000100/0.00254 MIN.
 - (197) = OVERALL REFLOWED MATTE TIN: 0.00152/.000060 MIN. OVER 0.00127/.000050 MIN. NICKEL OVERALL.
 - (208) = SELECT GOLD: .000015/0.00038 MIN. SELECT TIN: .000100/0.00254 MIN. OVERALL NICKEL UNDERPLATE: .000050/0.00127 MIN.
- PRODUCT SPECIFICATION: PS-08-50
- PACKAGING INFO: SEE CHARTS
- SOLDERABILITY SPECIFICATION: SMES-152
- RIGHT ANGLE OPTIONS SEE DRAWING SDA-2145-001
- BOTTOM ENTRY OPTIONS SEE DRAWING SDA-2145-003
- .183/4.64 DIMENSION IS BOTTOM OF HOUSING TO CENTER OF MATING PIN AND DOES NOT REFLECT CENTER OF CONNECTOR HOUSING WINDOW DIMENSION.
- THIS PART CONFORMS TO CLASS B REQUIREMENTS OF COSMETIC SPECIFICATION PS-45499-002.
- DIMENSION "C" MEASURED WITH TERMINAL PUSHED IN AGAINST THE STOP.



CKT	A	B	CENTER HOOK(S) LOCATED BETWEEN CIRCUITS
02	.308 7.82	.156±.005 3.96±0.13	NONE
03	.464 11.79	.312±.005 7.92±0.13	NONE
04	.620 15.75	.468±.005 11.89±0.13	NONE
05	.776 19.71	.624±.005 15.85±0.13	NONE
06	.932 23.67	.780±.005 19.81±0.13	NONE
07	1.088 27.64	.936±.010 23.77±0.25	NONE
08	1.244 31.60	1.092±.010 27.74±0.25	4 & 5
09	1.400 35.56	1.248±.010 31.70±0.25	4 & 5
10	1.556 39.52	1.404±.010 35.66±0.25	5 & 6
11	1.712 43.48	1.560±.010 39.62±0.25	5 & 6
12	1.868 47.45	1.716±.010 43.59±0.25	4 & 5, 8 & 9
13	2.024 51.41	1.872±.010 47.55±0.25	6 & 7, 11 & 12
14	2.180 55.37	2.028±.014 51.51±0.36	5 & 6, 9 & 10
15	2.336 59.33	2.184±.014 55.47±0.36	5 & 6, 10 & 11

2-4	AA
1	AA
SHT.	REV.



DIM "C" TOLERANCE	
EC NO: UCP2016-2492	2015/12/17
DRWN:GES	2016/01/27
CHKD:MKLIPPER	2016/08/25
APPR:FSMITH	
DESCRIPTION	
REV	
AA	

QUALITY SYMBOLS
▽ = 0
▽ = 0
▽ = 0

GENERAL TOLERANCES (UNLESS SPECIFIED)		
	mm	INCH
4 PLACES	± ---	± ---
3 PLACES	± ---	± .010
2 PLACES	± 0.25	± .014
1 PLACE	± 0.36	± ---
0 PLACE	± ---	± ---
ANGULAR ±1/2°		
DRAFT WHERE APPLICABLE MUST REMAIN WITHIN DIMENSIONS		

DIMENSION STYLE IN/MM	
DRAWN BY	DATE
SAMIEC	2003/01/16
CHECKED BY	DATE
SAMIEC	2003/01/16
APPROVED BY	DATE
FSMITH	2016/08/25
MATERIAL NO.	
SEE CHART	
SIZE	
A	

SCALE	DESIGN UNITS	THIRD ANGLE PROJECTION	
	INCH		
TITLE			
KK 156 HOUSING ASSY PC TAIL TOP ENTRY			
molex			
DOCUMENT NO.			SHEET NO.
SDA-2145-002			1 OF 4
THIS DRAWING CONTAINS INFORMATION THAT IS PROPRIETARY TO MOLEX INCORPORATED AND SHOULD NOT BE USED WITHOUT WRITTEN PERMISSION			



KK 156 PCB ASSY 2-15 CKT

2145 TOP ENTRY SERIES

OPTIONS	RAMPS	YES	RAMPS	YES
	HOOKS CUT:	NO	HOOKS CUT:	NO
	COLOR:	WHITE	COLOR:	WHITE
	MOLD VOID:	NONE	MOLD VOID:	NONE
	TERM MATL:	PHOS BRONZE	TERM MATL:	PHOS BRONZE
	CONTACT:	STANDARD	CONTACT:	STANDARD
	PC TAIL (C):	.120 / 3.05	PC TAIL (C):	.120 / 3.05
	PLT CODE:	197 – TIN	PLT CODE:	208 – 15 GOLD
	TERM VOID:	NONE	TERM VOID:	NONE
	PACKAGING:	TRAY PK-2145-001	PACKAGING:	TRAY PK-2145-001
Ckt	Material No	Material No		
2	09-62-6025	09-62-4029		
3	09-62-6035	09-62-4039		
4	09-62-6045	09-62-4049		
5	09-62-6055	09-62-4059		
6	09-62-6065	09-62-4069		
7	09-62-6075	09-62-4079		
8	09-62-6085	09-62-4089		
9	09-62-6095	09-62-4099		
10	09-62-6105	09-62-4109		
11	09-62-6115	09-62-4119		
12	09-62-6125	09-62-4129		
13	09-62-6135	09-62-4139		
14	09-62-6145	09-62-4149		
15	09-62-6155	09-62-4159		

REV:	CLARIFY HOOKS	TITLE:	SHEET No.
AA	ECM 107740 08/22/2016	KK 156 PCB ASSY 2145 TOP ENTRY SERIES	- 2 -
DOCUMENT NUMBER:	CREATED / REVISED BY:	CHECKED BY:	APPROVED BY:
SDA-2145-002	MKIPPER	JBELL	FSMITH



KK 156 PCB ASSY 2-15 CKT

2145 TOP ENTRY SERIES

OPTIONS	RAMPS	YES	RAMPS	YES	RAMPS	YES	RAMPS	YES
	HOOKS CUT:	NO	HOOKS CUT:	NO	HOOKS CUT:	YES	HOOKS CUT:	NO
	COLOR:	WHITE	COLOR:	WHITE	COLOR:	WHITE	COLOR:	WHITE
	MOLD VOID:	NONE	MOLD VOID:	NONE	MOLD VOID:	NONE	MOLD VOID:	NONE
	TERM MATL:	BRASS	TERM MATL:	BRASS	TERM MATL:	BRASS	TERM MATL:	BRASS
	CONTACT:	STANDARD	CONTACT:	STANDARD	CONTACT:	STANDARD	CONTACT:	STANDARD
	PC TAIL (C):	.120 / 3.05	PC TAIL (C):	.189 / 4.80	PC TAIL (C):	.120 / 3.05	PC TAIL (C):	.120 / 3.05
	PLT CODE:	197 – TIN	PLT CODE:	P909 – TIN	PLT CODE:	P909 – TIN	PLT CODE:	P909 – TIN
	TERM VOID:	NONE	TERM VOID:	NONE	TERM VOID:	NONE	TERM VOID:	NONE
	PACKAGING:	TRAY PK-2145-001	PACKAGING:	TRAY PK-2145-001	PACKAGING:	TRAY PK-2145-001	PACKAGING:	TRAY PK-2145-001
Ckt	Material No	Material No	Material No	Material No	Material No	Material No	Material No	
2	09-52-1023	09-52-1029	09-52-1029	09-52-3034	09-52-3033	09-52-3033	09-52-3033	
3	09-52-1033	09-52-1039	09-52-1039	09-52-3044	09-52-3043	09-52-3043	09-52-3043	
4	09-52-1043	09-52-1049	09-52-1049	09-52-3054	09-52-3053	09-52-3053	09-52-3053	
5	09-52-1053	09-52-1069	09-52-1069	09-52-3064	09-52-3063	09-52-3063	09-52-3063	
6	09-52-1063	09-52-1079	09-52-1079		09-52-3073	09-52-3073	09-52-3073	
7	09-52-1073	09-52-1089	09-52-1089	09-52-3089	09-52-3083	09-52-3083	09-52-3083	
8	09-52-1083	09-52-1099	09-52-1099	09-52-3094	09-52-3093	09-52-3093	09-52-3093	
9	09-52-1093	09-52-1109	09-52-1109		09-52-3103	09-52-3103	09-52-3103	
10	09-52-1103	09-52-1119	09-52-1119		09-52-3113	09-52-3113	09-52-3113	
11	09-52-1113	09-52-1129	09-52-1129		09-52-3123	09-52-3123	09-52-3123	
12	09-52-1123	09-52-1139	09-52-1139		09-52-3133	09-52-3133	09-52-3133	
13	09-52-1133	09-52-1149	09-52-1149		09-52-3143	09-52-3143	09-52-3143	
14	09-52-1143	09-52-1159	09-52-1159		09-52-3153	09-52-3153	09-52-3153	
15	09-52-1153							

REV:	CLARIFY HOOKS ECM 107740 08/22/2016	TITLE:	KK 156 PCB ASSY 2145 TOP ENTRY SERIES	<u>SHEET No.</u> - 3 -
AA				
<u>DOCUMENT NUMBER:</u>	<u>CREATED / REVISED BY:</u>	<u>CHECKED BY:</u>	<u>APPROVED BY:</u>	
SDA-2145-002	MKIPPER	JBELL	FSMITH	



KK 156 PCB ASSY 2-15 CKT

2145 TOP ENTRY SERIES

OPTIONS	RAMPS	NO	RAMPS	YES	RAMPS	YES		
	HOOKS CUT:	YES	HOOKS CUT:	NO	HOOKS CUT:	NO		
	COLOR:	WHITE	COLOR:	WHITE	COLOR:	WHITE		
	MOLD VOID:	NONE	MOLD VOID:	NONE	MOLD VOID:	NONE		
	TERM MATL:	BRASS	TERM MATL:	BRASS	TERM MATL:	PHOS BRONZE		
	CONTACT:	STANDARD	CONTACT:	STANDARD	CONTACT:	STANDARD		
	PC TAIL (C):	.120 / 3.05	PC TAIL (C):	.120 / 3.05	PC TAIL (C):	.120 / 3.05		
	PLT CODE:	P909 – TIN	PLT CODE:	208 – 15 GOLD	PLT CODE:	P909 – TIN		
	TERM VOID:	NONE	TERM VOID:	NONE	TERM VOID:	NONE		
	PACKAGING:	TRAY PK-2145-001	PACKAGING:	TRAY PK-2145-001	PACKAGING:	TRAY PK-2145-001		
Ckt	Material No	Material No	Material No	Material No	Material No			
2	09-52-1025	09-62-3023	09-52-2029	09-52-2029	09-52-2029			
3	09-52-1035	09-62-3033	09-52-2039	09-52-2039	09-52-2039			
4	09-52-1045	09-62-3043	09-52-2049	09-52-2049	09-52-2049			
5	09-52-1055	09-62-3053	09-52-2059	09-52-2059	09-52-2059			
6	09-52-1065	09-62-3063	09-52-2069	09-52-2069	09-52-2069			
7	09-52-1075	09-62-3073	09-52-2079	09-52-2079	09-52-2079			
8	09-52-1085	09-62-3083	09-52-2089	09-52-2089	09-52-2089			
9	09-52-1095	09-62-3093	09-52-2099	09-52-2099	09-52-2099			
10	09-52-1105	09-62-3103	09-52-2109	09-52-2109	09-52-2109			
11	09-52-1115	09-62-3113	09-52-2119	09-52-2119	09-52-2119			
12	09-52-1125	09-62-3123	09-52-2129	09-52-2129	09-52-2129			
13	09-52-1135	09-62-3133	09-52-2139	09-52-2139	09-52-2139			
14	09-52-1145	09-62-3143	09-52-2149	09-52-2149	09-52-2149			
15	09-52-1155	09-62-3153	09-52-2159	09-52-2159	09-52-2159			

REV:	CLARIFY HOOKS ECM 107740 08/22/2016	TITLE:	KK 156 PCB ASSY 2145 TOP ENTRY SERIES	<u>SHEET No.</u> - 4 -
AA				
<u>DOCUMENT NUMBER:</u>	<u>CREATED / REVISED BY:</u>	<u>CHECKED BY:</u>	<u>APPROVED BY:</u>	
SDA-2145-002	MKIPPER	JBELL	FSMITH	

X-ON Electronics

Largest Supplier of Electrical and Electronic Components

Click to view similar products for [Headers & Wire Housings](#) category:

Click to view products by [Molex](#) manufacturer:

Other Similar products are found below :

[95000-104TRLF](#) [10135584-644402LF](#) [DF62W-EP2022PCA](#) [95000-106TRLF](#) [DF62W-2022SCA](#) [DF62W-EP2022PC](#) [2203348](#) [DF62W-2022SC](#) [1084018](#) [1029039](#) [1084017](#) [802-10-012-10-002000](#) [1112640](#) [1112639](#) [000-34000](#) [0009482033](#) [0009507031](#) [57102-S06-03LF](#) [57202-S52-04LF](#) [PCN6-15S-2.5E](#) [0039019024](#) [58102-G61-06LF](#) [582553-1](#) [0009485154](#) [0009508121](#) [0022285053](#) [0050291907](#) [018731A](#) [LY20-4P-DT1-P1E-BR](#) [02.125.8002.8](#) [60101931](#) [60598-1 \(Cut Strip\)](#) [M1625-3R/100](#) [61062-3](#) [61082-181009](#) [636-1427](#) [638009-1](#) [641938-9](#) [641991-4](#) [644168-1](#) [647662-1](#) [65039-019ELF](#) [65817-002LF](#) [65817-015LF](#) [65863-015LF](#) [66207-023LF](#) [67016-026LF](#) [67046-001LF](#) [67095-007LF](#) [67230-005LF](#)