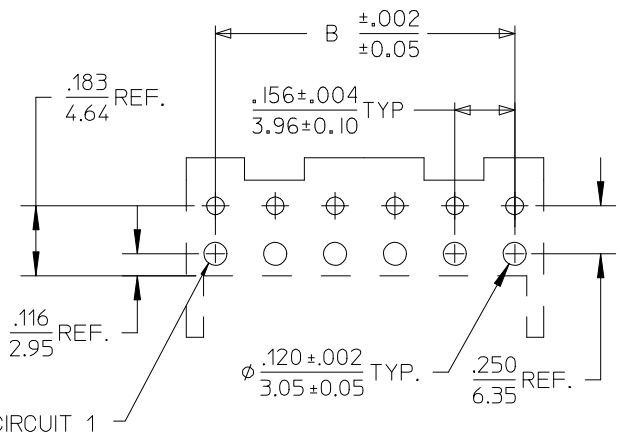


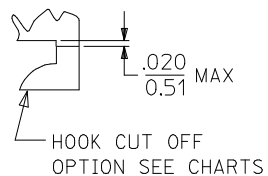
NOTES:

- HOUSING MATERIAL: NYLON, UL 94V-2
- FINISH:
  - (909) = OVERALL HOT TIN DIP: .000100/0.00254 MIN.
  - (197) = OVERALL REFLOWED MATTE TIN: 0.00152/.000060 MIN. OVER 0.00127/.000050 MIN. NICKEL OVERALL.
  - (208) = SELECT GOLD: .000015/0.00038 MIN. SELECT TIN: .000100/0.00254 MIN. OVERALL NICKEL UNDERPLATE: .000050/0.00127 MIN.
- PRODUCT SPECIFICATION: PS-08-50
- PACKAGING INFO: SEE CHARTS
- SOLDERABILITY SPECIFICATION: SMES-152
- RIGHT ANGLE OPTIONS SEE DRAWING SDA-2145-001
- BOTTOM ENTRY OPTIONS SEE DRAWING SDA-2145-003
- .183/4.64 DIMENSION IS BOTTOM OF HOUSING TO CENTER OF MATING PIN AND DOES NOT REFLECT CENTER OF CONNECTOR HOUSING WINDOW DIMENSION.
- THIS PART CONFORMS TO CLASS B REQUIREMENTS OF COSMETIC SPECIFICATION PS-45499-002.
- DIMENSION "C" MEASURED WITH TERMINAL PUSHED IN AGAINST THE STOP.

CKT	A	B	CENTER HOOK(S) LOCATED BETWEEN CIRCUITS
02	.308 7.82	.156±.005 3.96±0.13	NONE
03	.464 11.79	.312±.005 7.92±0.13	NONE
04	.620 15.75	.468±.005 11.89±0.13	NONE
05	.776 19.71	.624±.005 15.85±0.13	NONE
06	.932 23.67	.780±.005 19.81±0.13	NONE
07	1.088 27.64	.936±.010 23.77±0.25	NONE
08	1.244 31.60	1.092±.010 27.74±0.25	4 & 5
09	1.400 35.56	1.248±.010 31.70±0.25	4 & 5
10	1.556 39.52	1.404±.010 35.66±0.25	5 & 6
11	1.712 43.48	1.560±.010 39.62±0.25	5 & 6
12	1.868 47.45	1.716±.010 43.59±0.25	4 & 5, 8 & 9
13	2.024 51.41	1.872±.010 47.55±0.25	6 & 7, 11 & 12
14	2.180 55.37	2.028±.014 51.51±0.36	5 & 6, 9 & 10
15	2.336 59.33	2.184±.014 55.47±0.36	5 & 6, 10 & 11



PCB LAYOUT: COMPONENT SIDE  
RECOMMENDED PCB THICKNESS: .062/1.57



DIM "C" TOLERANCE	EC NO: UCP2016-2492	2015/12/17
	DRWN:GES	2016/01/27
AA	CHKD:MKLIPPER	2016/08/25
	APPR:FSMITH	

QUALITY SYMBOLS	DESCRIPTION
	= 0
	= 0.010
	= 0.014
	= 0.036
	= 0.050

GENERAL TOLERANCES (UNLESS SPECIFIED)	
	INCH
4 PLACES	± .010
3 PLACES	± .014
2 PLACES	± .036
1 PLACE	± .050
0 PLACE	± .075
ANGULAR ±1/2°	
DRAFT WHERE APPLICABLE MUST REMAIN WITHIN DIMENSIONS	

DIMENSION STYLE IN/MM	
DRAWN BY	DATE
SAMIEC	2003/01/16
CHECKED BY	DATE
SAMIEC	2003/01/16
APPROVED BY	DATE
FSMITH	2016/08/25
MATERIAL NO.	
SEE CHART	
SIZE	
A	

SCALE	DESIGN UNITS	THIRD ANGLE PROJECTION
	INCH	
TITLE		
KK 156 HOUSING ASSY PC TAIL TOP ENTRY		
<b>molex</b>		
DOCUMENT NO.	SHEET NO.	
SDA-2145-002	1 OF 4	



# KK 156 PCB ASSY 2-15 CKT

## 2145 TOP ENTRY SERIES

OPTIONS	RAMPS	YES	RAMPS	YES
	HOOKS CUT:	NO	HOOKS CUT:	NO
	COLOR:	WHITE	COLOR:	WHITE
	MOLD VOID:	NONE	MOLD VOID:	NONE
	TERM MATL:	PHOS BRONZE	TERM MATL:	PHOS BRONZE
	CONTACT:	STANDARD	CONTACT:	STANDARD
	PC TAIL (C):	.120 / 3.05	PC TAIL (C):	.120 / 3.05
	PLT CODE:	197 – TIN	PLT CODE:	208 – 15 GOLD
	TERM VOID:	NONE	TERM VOID:	NONE
	PACKAGING:	TRAY PK-2145-001	PACKAGING:	TRAY PK-2145-001
Ckt	Material No	Material No		
2	09-62-6025	09-62-4029		
3	09-62-6035	09-62-4039		
4	09-62-6045	09-62-4049		
5	09-62-6055	09-62-4059		
6	09-62-6065	09-62-4069		
7	09-62-6075	09-62-4079		
8	09-62-6085	09-62-4089		
9	09-62-6095	09-62-4099		
10	09-62-6105	09-62-4109		
11	09-62-6115	09-62-4119		
12	09-62-6125	09-62-4129		
13	09-62-6135	09-62-4139		
14	09-62-6145	09-62-4149		
15	09-62-6155	09-62-4159		

<b>REV:</b>  <b>AA</b>	<b>CLARIFY HOOKS</b> ECM 107740 08/22/2016	<b>TITLE:</b>  <b>KK 156 PCB ASSY</b> <b>2145 TOP ENTRY SERIES</b>	<b>SHEET No.</b>  <b>- 2 -</b>
<b>DOCUMENT NUMBER:</b> <b>SDA-2145-002</b>	<b>CREATED / REVISED BY:</b> <b>MKIPPER</b>	<b>CHECKED BY:</b> <b>JBELL</b>	<b>APPROVED BY:</b> <b>FSMITH</b>



# KK 156 PCB ASSY 2-15 CKT

## 2145 TOP ENTRY SERIES

OPTIONS	RAMPS	YES	RAMPS	YES	RAMPS	YES	RAMPS	YES
	HOOKS CUT:	NO	HOOKS CUT:	NO	HOOKS CUT:	YES	HOOKS CUT:	NO
	COLOR:	WHITE	COLOR:	WHITE	COLOR:	WHITE	COLOR:	WHITE
	MOLD VOID:	NONE	MOLD VOID:	NONE	MOLD VOID:	NONE	MOLD VOID:	NONE
	TERM MATL:	BRASS	TERM MATL:	BRASS	TERM MATL:	BRASS	TERM MATL:	BRASS
	CONTACT:	STANDARD	CONTACT:	STANDARD	CONTACT:	STANDARD	CONTACT:	STANDARD
	PC TAIL (C):	.120 / 3.05	PC TAIL (C):	.189 / 4.80	PC TAIL (C):	.120 / 3.05	PC TAIL (C):	.120 / 3.05
	PLT CODE:	197 – TIN	PLT CODE:	P909 – TIN	PLT CODE:	P909 – TIN	PLT CODE:	P909 – TIN
	TERM VOID:	NONE	TERM VOID:	NONE	TERM VOID:	NONE	TERM VOID:	NONE
	PACKAGING:	TRAY PK-2145-001	PACKAGING:	TRAY PK-2145-001	PACKAGING:	TRAY PK-2145-001	PACKAGING:	TRAY PK-2145-001
Ckt	Material No		Material No		Material No		Material No	
2	09-52-1023		09-52-1029				09-52-3023	
3	09-52-1033		09-52-1039		09-52-3034		09-52-3033	
4	09-52-1043		09-52-1049		09-52-3044		09-52-3043	
5	09-52-1053		09-52-1059		09-52-3054		09-52-3053	
6	09-52-1063		09-52-1069		09-52-3064		09-52-3063	
7	09-52-1073		09-52-1079				09-52-3073	
8	09-52-1083		09-52-1089		09-52-3089		09-52-3083	
9	09-52-1093		09-52-1099		09-52-3094		09-52-3093	
10	09-52-1103		09-52-1109				09-52-3103	
11	09-52-1113		09-52-1119				09-52-3113	
12	09-52-1123		09-52-1129				09-52-3123	
13	09-52-1133		09-52-1139				09-52-3133	
14	09-52-1143		09-52-1149				09-52-3143	
15	09-52-1153		09-52-1159				09-52-3153	

<b>REV:</b>	<b>CLARIFY HOOKS</b> ECM 107740 08/22/2016	<b>TITLE:</b>	<b>KK 156 PCB ASSY</b> <b>2145 TOP ENTRY SERIES</b>	<u>SHEET No.</u> <b>- 3 -</b>
<b>AA</b>				
<u>DOCUMENT NUMBER:</u>	<u>CREATED / REVISED BY:</u>	<u>CHECKED BY:</u>	<u>APPROVED BY:</u>	
<b>SDA-2145-002</b>	<b>MKIPPER</b>	<b>JBELL</b>	<b>FSMITH</b>	



# KK 156 PCB ASSY 2-15 CKT

## 2145 TOP ENTRY SERIES

OPTIONS	RAMPS	NO	RAMPS	YES	RAMPS	YES		
	HOOKS CUT:	YES	HOOKS CUT:	NO	HOOKS CUT:	NO		
	COLOR:	WHITE	COLOR:	WHITE	COLOR:	WHITE		
	MOLD VOID:	NONE	MOLD VOID:	NONE	MOLD VOID:	NONE		
	TERM MATL:	BRASS	TERM MATL:	BRASS	TERM MATL:	PHOS BRONZE		
	CONTACT:	STANDARD	CONTACT:	STANDARD	CONTACT:	STANDARD		
	PC TAIL (C):	.120 / 3.05	PC TAIL (C):	.120 / 3.05	PC TAIL (C):	.120 / 3.05		
	PLT CODE:	P909 – TIN	PLT CODE:	208 – 15 GOLD	PLT CODE:	P909 – TIN		
	TERM VOID:	NONE	TERM VOID:	NONE	TERM VOID:	NONE		
	PACKAGING:	TRAY PK-2145-001	PACKAGING:	TRAY PK-2145-001	PACKAGING:	TRAY PK-2145-001		
Ckt	Material No	Material No	Material No	Material No	Material No	Material No	Material No	
2	09-52-1025	09-62-3023	09-62-3023	09-52-2029	09-52-2029	09-52-2029	09-52-2029	
3	09-52-1035	09-62-3033	09-62-3033	09-52-2039	09-52-2039	09-52-2039	09-52-2039	
4	09-52-1045	09-62-3043	09-62-3043	09-52-2049	09-52-2049	09-52-2049	09-52-2049	
5	09-52-1055	09-62-3053	09-62-3053	09-52-2059	09-52-2059	09-52-2059	09-52-2059	
6	09-52-1065	09-62-3063	09-62-3063	09-52-2069	09-52-2069	09-52-2069	09-52-2069	
7	09-52-1075	09-62-3073	09-62-3073	09-52-2079	09-52-2079	09-52-2079	09-52-2079	
8	09-52-1085	09-62-3083	09-62-3083	09-52-2089	09-52-2089	09-52-2089	09-52-2089	
9	09-52-1095	09-62-3093	09-62-3093	09-52-2099	09-52-2099	09-52-2099	09-52-2099	
10	09-52-1105	09-62-3103	09-62-3103	09-52-2109	09-52-2109	09-52-2109	09-52-2109	
11	09-52-1115	09-62-3113	09-62-3113	09-52-2119	09-52-2119	09-52-2119	09-52-2119	
12	09-52-1125	09-62-3123	09-62-3123	09-52-2129	09-52-2129	09-52-2129	09-52-2129	
13	09-52-1135	09-62-3133	09-62-3133	09-52-2139	09-52-2139	09-52-2139	09-52-2139	
14	09-52-1145	09-62-3143	09-62-3143	09-52-2149	09-52-2149	09-52-2149	09-52-2149	
15	09-52-1155	09-62-3153	09-62-3153	09-52-2159	09-52-2159	09-52-2159	09-52-2159	

<b>REV:</b>	<b>CLARIFY HOOKS</b> ECM 107740 08/22/2016	<b>TITLE:</b>	<b>KK 156 PCB ASSY</b> <b>2145 TOP ENTRY SERIES</b>	<u>SHEET No.</u> <b>- 4 -</b>
<b>AA</b>				
<b>DOCUMENT NUMBER:</b>	<b>CREATED / REVISED BY:</b>	<b>CHECKED BY:</b>	<b>APPROVED BY:</b>	
<b>SDA-2145-002</b>	<b>MKIPPER</b>	<b>JBELL</b>	<b>FSMITH</b>	

## X-ON Electronics

Largest Supplier of Electrical and Electronic Components

*Click to view similar products for [Headers & Wire Housings](#) category:*

*Click to view products by [Molex](#) manufacturer:*

Other Similar products are found below :

[95000-104TRLF](#) [10135584-644402LF](#) [DF62W-EP2022PCA](#) [95000-106TRLF](#) [DF62W-2022SCA](#) [DF62W-EP2022PC](#) [2203348](#) [DF62W-2022SC](#) [1084018](#) [1029039](#) [1084017](#) [802-10-012-10-002000](#) [1112640](#) [1112639](#) [000-34000](#) [0009482033](#) [0009507031](#) [57102-S06-03LF](#) [57202-S52-04LF](#) [PCN6-15S-2.5E](#) [0039019024](#) [58102-G61-06LF](#) [582553-1](#) [0009485154](#) [0009508121](#) [0022285053](#) [0050291907](#) [018731A](#) [LY20-4P-DT1-P1E-BR](#) [02.125.8002.8](#) [60101931](#) [60598-1 \(Cut Strip\)](#) [M1625-3R/100](#) [61062-3](#) [61082-181009](#) [636-1427](#) [638009-1](#) [641938-9](#) [641991-4](#) [644168-1](#) [647662-1](#) [65039-019ELF](#) [65817-002LF](#) [65817-015LF](#) [65863-015LF](#) [66207-023LF](#) [67016-026LF](#) [67046-001LF](#) [67095-007LF](#) [67230-005LF](#)