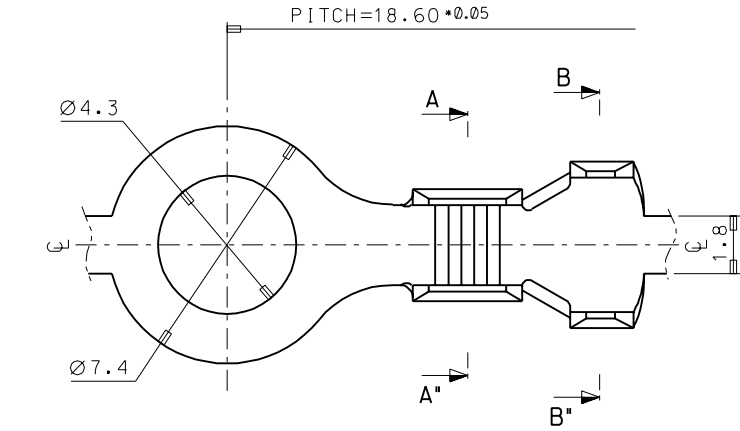
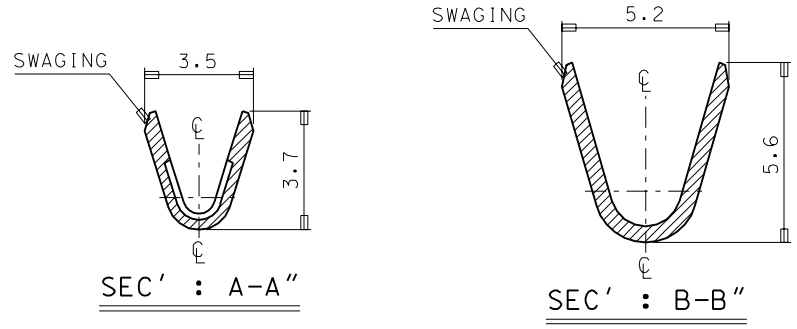
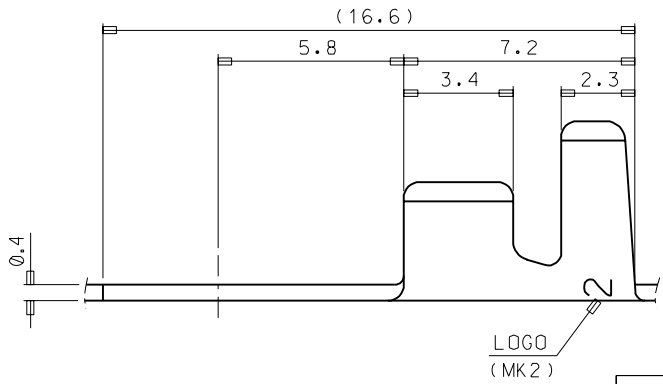


DWG. NO. SD 35750-0900  
 PROJECT NO. SIMILAR ITEM  
 ∅4.3 RING TERMINAL  
 DO NOT SCALE DRAWING  
 DIMENSION IN METRIC



- NOTES
- MATERIAL : BRASS , 0.4mm THICKNESS
  - FINISH : 35750-0900 (UNPLATED)  
 35750-0910 (POST-PLATED TIN)  
 35750-0920 (PRE-PLATED TIN)  
 35750-0940 (POST-PLATED TIN-LEAD)
  - RECOMMENDED LENGTH OF WIRE STRIP IS 4.8-5.4mm.
  - APPLICABLE WIRE : AWG #18-#14 (0.75-2.08mm<sup>2</sup>)  
 INSULATION DIA. : ∅3.2mm MAX.



1	D
1	C
1	B
1	A
SHT	REV
REVISE ON	CAD ONLY

REVISED EC NO. KOR1997-0165 DRWN: J.S.KANG CHK: B.K.CHOI APPR: C.W.LEE	QUALITY SYMBOLS MAJOR CRITICAL	GENERAL TOLERANCES: (UNLESS SPECIFIED)		SCALE 7:1	DESIGN UNITS <input checked="" type="checkbox"/> mm <input type="checkbox"/> INCH	THIRD ANGLE PROJECTION <input type="checkbox"/> mm <input type="checkbox"/> INCH <input checked="" type="checkbox"/> mm ONLY	DIMENSIONS:					
		4 PLACES ±0.     ±.	3 PLACES ±0.     ±.	2 PLACES ±0.2     ±.	1 PLACE ±0.3     ±.		DRAWN BY & DATE J.S.KANG 97/12/04	CHECKED BY & DATE	TITLE: ∅4.3 RING TERMINAL			
		ANGULAR: ± 1°					APPROVED BY & DATE	MOLEX INCORPORATED KOREA		MATERIAL NO. SEE NOTES	DRAWING NO. SD 35750-0900	SHEET NO. 1 of 1
		DRAFT WHERE APPLICABLE MUST REMAIN WITHIN DIMENSIONS					CAD FILENAME s7500900.dgn			THIS DRAWING CONTAINS INFORMATION THAT IS PROPRIETARY TO MOLEX INCORPORATED AND SHOULD NOT BE USED WITHOUT WRITTEN PERMISSION.		SIZE B

## X-ON Electronics

Largest Supplier of Electrical and Electronic Components

*Click to view similar products for [Terminals](#) category:*

*Click to view products by [Molex](#) manufacturer:*

Other Similar products are found below :

[HT-13-10](#) [71M-250-32-NB](#) [01-2065-1-0216](#) [00581P0075](#) [M10-10RX](#) [M10BCK](#) [60205-1](#) [604200-1](#) [60598-1-CUT-TAPE](#) [60617-1-C](#) [60873-1](#) [M14-516R/SK](#) [M14-6RSX](#) [M18-10FLX](#) [M18-8FBX](#) [M18-8R/LX](#) [M18BCK](#) [61314-6-C](#) [61-S](#) [61-SN-A](#) [62-NBM-A](#) [63-S](#) [640179-1](#) [640917-2-CUT-TAPE](#) [6501550002](#) [66107-2-C](#) [696683-1](#) [696834-1](#) [696861-1](#) [696931-1](#) [696999-1](#) [M8-516RK](#) [M86700006](#) [MA250DMFMX-A](#) [701-2007](#) [701-2307](#) [701-7761-03](#) [70F-110-32-PB](#) [718-N-A](#) [71M-187-20-NBL](#) [71M-250-32-NBL](#) [72F-187-20-NBL](#) [72M-250-32-NBL](#) [7310](#) [73F-250-32](#) [73F-250-32-NBL](#) [73F-250-32-NL](#) [F14-10C](#) [F-1M](#) [751-250](#)