

**PLEASE CHECK WWW.MOLEX.COM FOR LATEST PART INFORMATION**

**Part Number:** **0510160900**  
**Status:** **Active**  
**Description:** 1.50mm Pitch Cable Holder, Vertical, for Ribbon Cable, 9 Circuits

**Documents:**

[3D Model](#) [Product Specification PS-51016-001 \(PDF\)](#)  
[Drawing \(PDF\)](#) [RoHS Certificate of Compliance \(PDF\)](#)

**General**

Product Family Ribbon Cable / Wire Trap Connectors  
Series 51016  
Component Type One Piece  
Glow-Wire Capable No  
Product Name Board-in, Cable Holder  
UPC 800753575462

**Physical**

Circuits (Loaded) 9  
Color - Resin Natural  
Entry Angle Vertical  
Lock to Mating Part None  
Material - Plating Mating N/A  
Material - Resin Nylon  
Net Weight 258.000/mg  
Number of Rows 1  
PCB Locator Yes  
PCB Retention Yes  
PCB Thickness - Recommended 1.60mm  
Packaging Type Bag  
Pitch - Mating Interface 1.50mm  
Polarized to Mating Part N/A  
Polarized to PCB Yes  
Stackable No  
Surface Mount Compatible (SMC) No  
Temperature Range - Operating -40° to +105°C  
Wire Insulation Diameter 1.30mm max.  
Wire Size AWG 26  
Wire/Cable Type Ribbon Cable

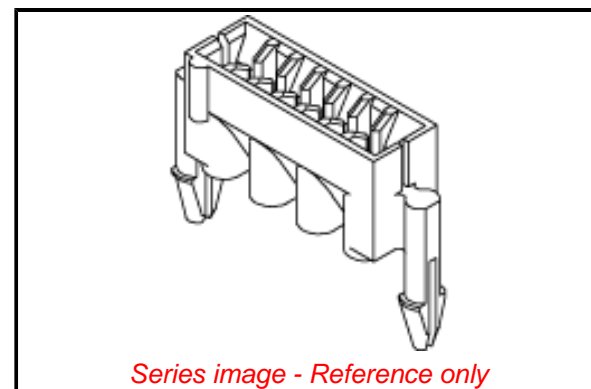
**Electrical**

Current - Maximum per Contact N/A  
Voltage - Maximum N/A

**Material Info**

**Reference - Drawing Numbers**

Product Specification PS-51016-001  
Sales Drawing SD-51016-001, SD-51016-002



**EU ELV**

**Not Relevant**

**EU RoHS**

**Compliant**

**REACH SVHC**

Not Contained Per -  
ED/61/2018 (27 June  
2018)

**Halogen-Free**

**Status**

**Low-Halogen**

**Need more information on product  
environmental compliance?**

Email [productcompliance@molex.com](mailto:productcompliance@molex.com)  
Please visit the [Contact Us](#) section for any  
non-product compliance questions.

China ROHS	Green Image
ELV	Not Relevant
Prop65	Compliant
RoHS Phthalates	Not Contained

**Search Parts in this Series**

51016 Series

**Mates With**

N/A

**Use With**

Topcoated Ribbon Cable

## X-ON Electronics

Largest Supplier of Electrical and Electronic Components

*Click to view similar products for [Headers & Wire Housings](#) category:*

*Click to view products by [Molex](#) manufacturer:*

Other Similar products are found below :

[95000-104TRLF](#) [10135584-644402LF](#) [DF62W-EP2022PCA](#) [95000-106TRLF](#) [DF62W-2022SCA](#) [DF62W-EP2022PC](#) [2203348](#) [DF62W-2022SC](#) [1084018](#) [1029039](#) [1084017](#) [802-10-012-10-002000](#) [1112640](#) [1112639](#) [000-34000](#) [0009482033](#) [0009507031](#) [57102-S06-03LF](#) [57202-S52-04LF](#) [PCN6-15S-2.5E](#) [0039019024](#) [58102-G61-06LF](#) [582553-1](#) [0009485154](#) [0009508121](#) [0022285053](#) [0050291907](#) [018731A](#) [LY20-4P-DT1-P1E-BR](#) [02.125.8002.8](#) [60101931](#) [60598-1 \(Cut Strip\)](#) [M1625-3R/100](#) [61062-3](#) [61082-181009](#) [636-1427](#) [638009-1](#) [641938-9](#) [641991-4](#) [644168-1](#) [647662-1](#) [65039-019ELF](#) [65817-002LF](#) [65817-015LF](#) [65863-015LF](#) [66207-023LF](#) [67016-026LF](#) [67046-001LF](#) [67095-007LF](#) [67230-005LF](#)