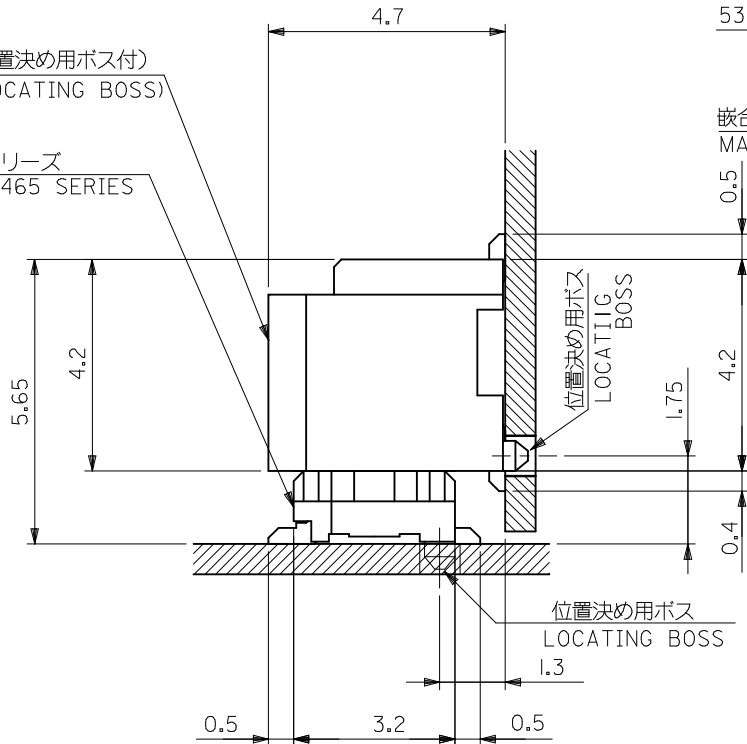




10 9 8 7 6 5 4 3 2 1

53309-\*\*\*19 (位置決め用ボス付)  
(WITH LOCATING BOSS)

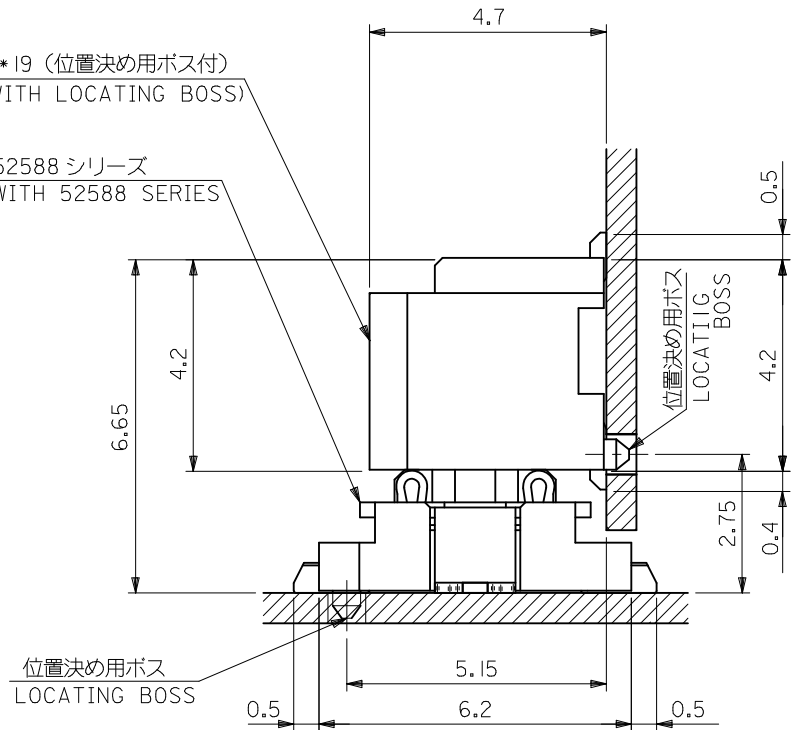
嵌合相手 52465 シリーズ  
MATES WITH 52465 SERIES



嵌合状態図 (参考)  
MATED DRAWING(REF.)

53309-\*\*\*19 (位置決め用ボス付)  
(WITH LOCATING BOSS)

嵌合相手 52588 シリーズ  
MATES WITH 52588 SERIES



嵌合状態図 (参考)  
MATED DRAWING(REF.)

MODEL NO. 53309-\*\*\*19

DESIGN UNITS METRIC THIRD ANGLE PROJECTION

REVISED EC NO: J2014-0465 DRWN: YISHIDA 2013/09/13 CHKD: TASAKAWA 2013/09/13 APPR: TASAKAWA 2013/09/13	GENERAL TOLERANCES (UNLESS SPECIFIED)	
	10 UNDER	±0.2
	10 OVER 30 UNDER	±0.25
	30 OVER	±0.3
	ANGULAR	±3°
	DRAFT WHERE APPLICABLE MUST REMAIN WITHIN DIMENSIONS	

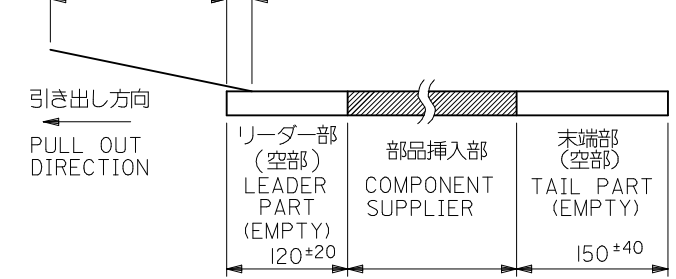
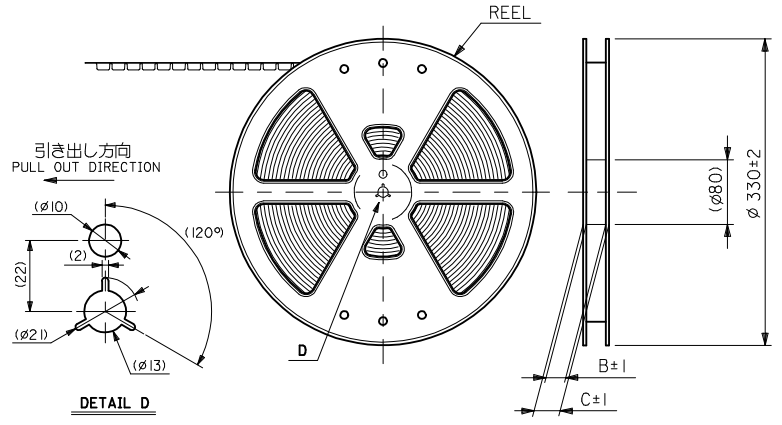
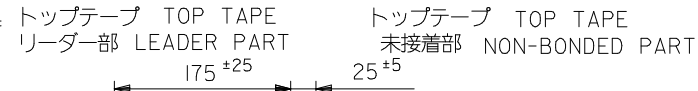
DIMENSION STYLE MM ONLY	
DRAWN BY HKAWABATA	DATE 2004/03/10
CHECKED BY KTOJO	DATE 2004/03/10
APPROVED BY MSASAO	DATE 2004/03/10
MATERIAL NO. REFER TO SHEET 1 OF 2	
SIZE A3	THIS DRAWING CONTAINS INFORMATION THAT IS PROPRIETARY TO MOLEX INCORPORATED AND SHOULD NOT BE USED WITHOUT WRITTEN PERMISSION

TITLE 0.8 B/B CONN SMT WITH BOSS -LEAD FREE-	
<b>molex</b>	
DOCUMENT NO. SD-53309-013	SHEET NO. 2 OF 2

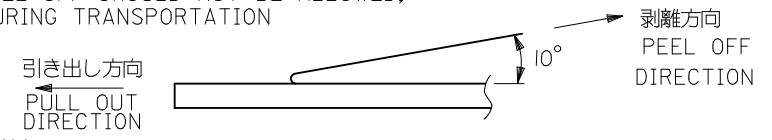
9 8 7 6 5 4 3 2

1. 梱包数量：1000個/リール NUMBER OF CONNECTORS:1000PCS/REEL
2. リードテープ長さ LEAD TAPE LENGTH

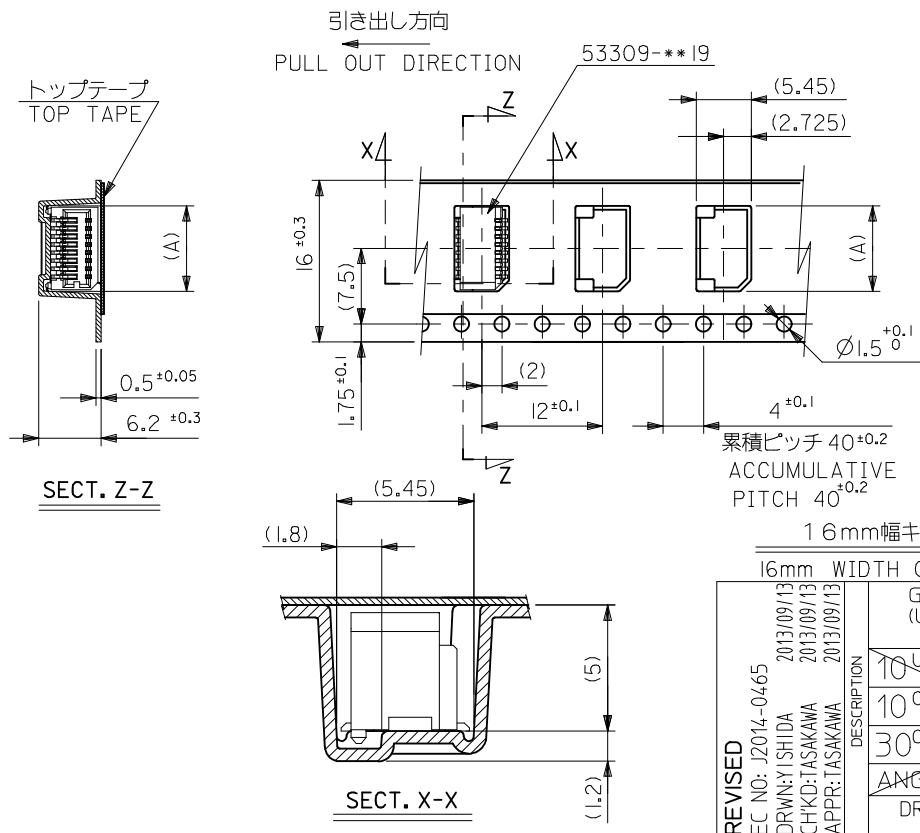
注記 NOTES



3. トップテープの剥離強度：(剥離方向は下図参照)  
 0.1~1.3N {10~130gf} 尚、本規格値は、出荷時に適用。  
 (但し、輸送時に剥離が発生しない事。)  
 PEELING OFF FORCE OF TOP TAPE  
 0.1~1.3N {10~130gf} (PEELING DIRECTION AS SHOWN IN FOLLOWING FIG.)  
 THIS REQUIREMENT SHOULD BE APPLIED AT SHIPMENT  
 PEEL OFF SHOULD NOT BE ALLOWED,  
 DURING TRANSPORTATION

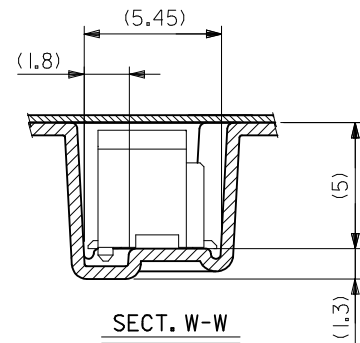
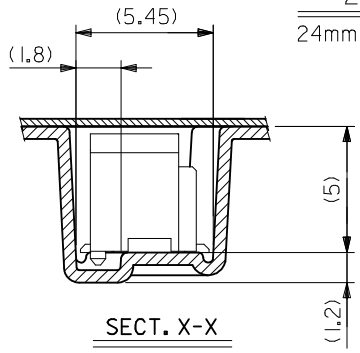
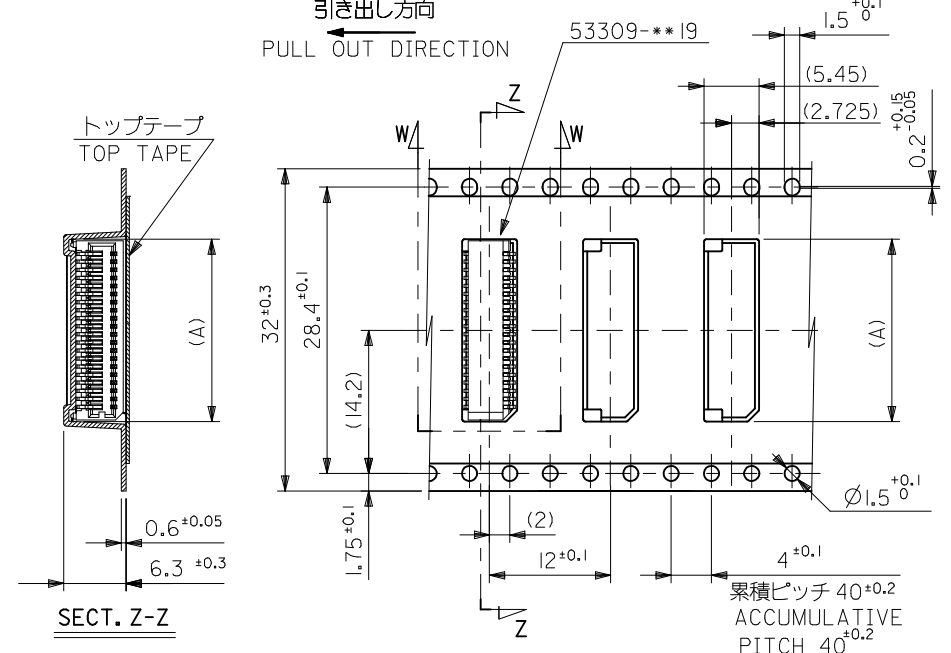
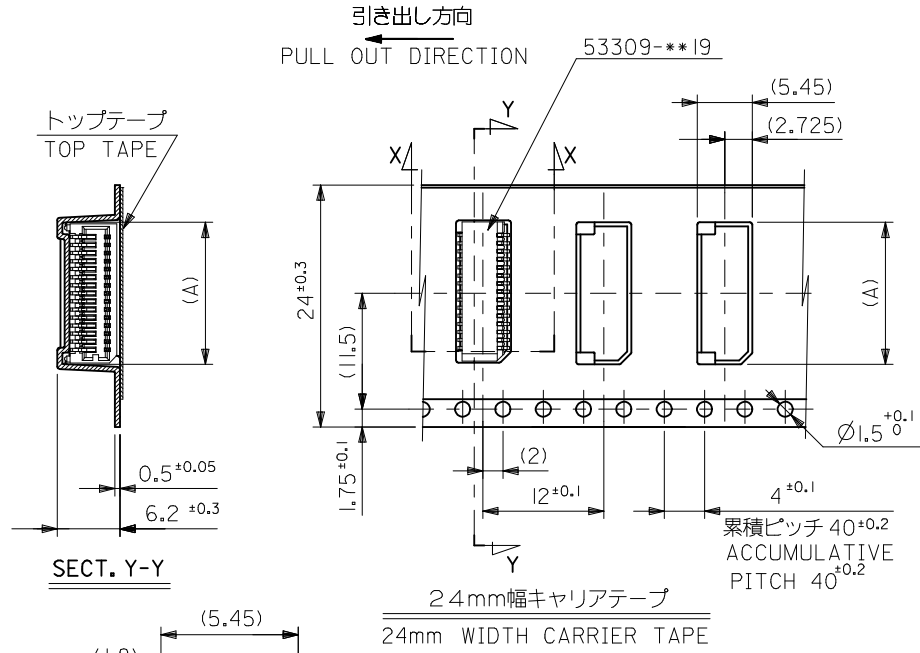


5. 材料(MATERIAL)  
 キャリアテープ(CARRIER TAPE)：ポリプロピレン(POLYPROPYLENE)  
 トップテープ(TOPTAPE)：PET, PE, PEF  
 リール(REEL)：ポリスチレン(PS) <リサイクル材を含む>  
 POLYSTYREN(PS) <RECYCLE MATERIAL CONTAINED>
6. 本製品は53309-\*\*-90の鉛フリー品である。  
 THIS PRODUCT IS LEAD FREE OF 53309-\*\*-90.



16	21.4	17.4	9.3	53309-1871	18		
			8.5	53309-1671	16		
			7.7	53309-1471	14		
			6.9	53309-1271	12		
			6.1	53309-1071	10		
16mm幅キャリアテープ CARRIER TAPE WIDTH		53309-**-71 MODEL NO.	C	B	(A)	MATERIAL NO.	極数 CIRCUIT

REVISED EC NO: J2014-0465 2013/09/13 DRWN: YSHIDA CHKD: TASAKAWA APPR: TASAKAWA 2013/09/13	DESCRIPTION	GENERAL TOLERANCES (UNLESS SPECIFIED)		DIMENSION STYLE MM ONLY		SCALE ---	DESIGN UNITS METRIC	THIRD ANGLE PROJECTION	
		10 UNDER	±0.2	DRAWN BY HKAWABATA	DATE 2004/03/10	TITLE 0.8 BTB CONN WAFER ASSY EMBSTP PKG -LEAD FREE-			
		10 OVER 30 UNDER	±0.25	CHECKED BY KTOJO	DATE 2004/03/10				
		30 OVER	±0.3	APPROVED BY MSASAO	DATE 2004/03/10				
A	REV	ANGULAR	±3°	MATERIAL NO. SEE NOTES		DOCUMENT NO. SD-53309-014		SHEET NO. 1 OF 2	
		DRAFT WHERE APPLICABLE MUST REMAIN WITHIN DIMENSIONS		THIS DRAWING CONTAINS INFORMATION THAT IS PROPRIETARY TO MOLEX INCORPORATED AND SHOULD NOT BE USED WITHOUT WRITTEN PERMISSION					



24	29.4	25.4	16.5	53309-3671	36
			15.7	53309-3471	34
			14.9	53309-3271	32
			14.1	53309-3071	30
			13.3	53309-2871	28
			12.5	53309-2671	26
			11.7	53309-2471	24
キャリアテープ幅 CARRIER TAPE WIDTH	C	B	(A)	MATERIAL NO.	極数 CIRCUIT

REVISED	DESCRIPTION
EC NO: J2014-0465	GENERAL TOLERANCES (UNLESS SPECIFIED)
DRWN: Y. SHIDA 2013/09/13	10 UNDER ±0.2
CHKD: TASAKAWA 2013/09/13	10 OVER 30 UNDER ±0.25
APPR: TASAKAWA 2013/09/13	30 OVER ±0.3
	ANGULAR ±3°
	DRAFT WHERE APPLICABLE MUST REMAIN WITHIN DIMENSIONS

32	37.4	33.4	18.1	53309-4071	40
			17.3	53309-3871	38
53309-**-71	キャリアテープ幅 CARRIER TAPE WIDTH	C	B	(A)	MATERIAL NO. 極数 CIRCUIT
MODEL NO.	DIMENSION STYLE	SCALE	DESIGN UNITS	THIRD ANGLE PROJECTION	
	MM ONLY	---	METRIC		
DRAWN BY	DATE	TITLE			
HKAWABATA	2004/03/10	0.8 BTB CONN WAFER ASSY			
CHECKED BY	DATE	EMBSTP PKG			
KTOJO	2004/03/10	-LEAD FREE-			
APPROVED BY	DATE	<b>molex</b>			
MSASAO	2004/03/10				
MATERIAL NO.	DOCUMENT NO.	SHEET NO.			
	REFER TO SHEET 1 OF 2	SD-53309-014			
SIZE	THIS DRAWING CONTAINS INFORMATION THAT IS PROPRIETARY TO MOLEX INCORPORATED AND SHOULD NOT BE USED WITHOUT WRITTEN PERMISSION				
A3					

## X-ON Electronics

Largest Supplier of Electrical and Electronic Components

*Click to view similar products for [Board to Board & Mezzanine Connectors](#) category:*

*Click to view products by [Molex](#) manufacturer:*

Other Similar products are found below :

[10135583-642402LF](#) [89885-310LF](#) [589158040000018](#) [6-1393048-0](#) [68683-613](#) [MDF7-12DP-2.54DSA](#) [MDF7-18P-2.54DSA\(01\)](#) [MDF7-20DP-2.54DSA](#) [MDF7-26D-2.54DSA\(55\)](#) [MDF7-3P-2.54DSA\(01\)](#) [MDF7B-3P-2.54DSA\(55\)](#) [MDF7C-11P-2.54DSA\(55\)](#) [MDF7C-18P-2.54DSA\(55\)](#) [MDF7C-5P-2.54DSA\(01\)](#) [MDF7P-5P-2.54DSA\(55\)](#) [75234-0516](#) [FCN-230C068-11](#) [FCN-268F012-G/BD](#) [FCN-268F036-G/BD](#) [FCN-268M012-G/0D](#) [FCN-268M024-G/1D](#) [FCN-360C008-C](#) [FCN-360C040-C](#) [FCN-723J004/1](#) [MIS-048-01-F-D-DP-K](#) [832-10-034-10-001000](#) [93696-325LF](#) [11828-1FA](#) [AXK630345P](#) [18097-0013](#) [ICA-328STT](#) [2007042-2](#) [304400-2](#) [FCN-214Q030-G/0](#) [FCN-215Q040-G/0](#) [FCN-230C068-ESA](#) [FCN-234P048-G/0](#) [FCN-235D050-G/C](#) [FCN-360A3](#) [FCN-360C040-B](#) [210-93-314-41-105000](#) [2-22603-0](#) [379-064-521-202](#) [MDF7-12P-2.54DSA\(01\)](#) [MDF7-16P-2.54DS\(56\)](#) [MDF7-40DP-2.54DSA\(55\)](#) [MDF7-8P-2.54DSA\(55\)](#) [MDF7B-16P-2.54DSA\(55\)](#) [AXG720047](#) [5031084030](#)