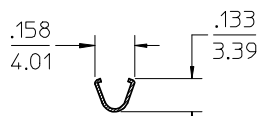
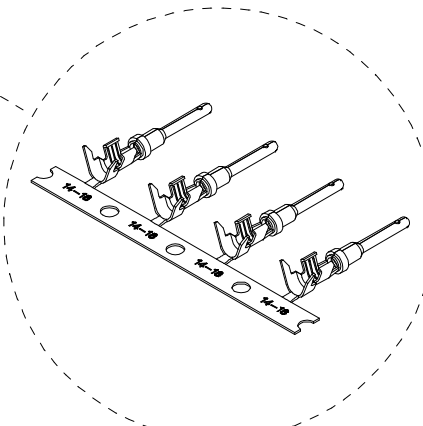
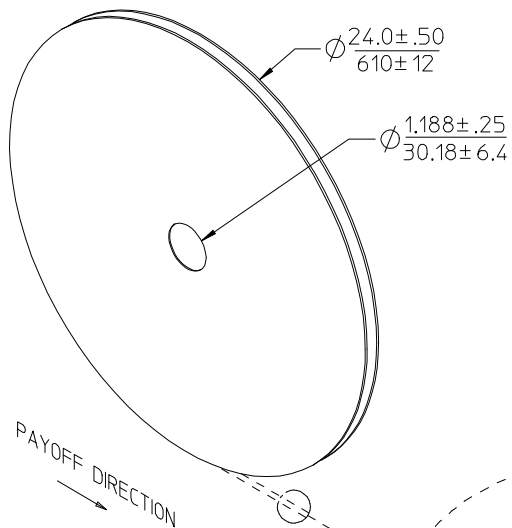
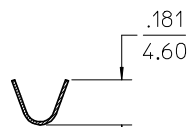


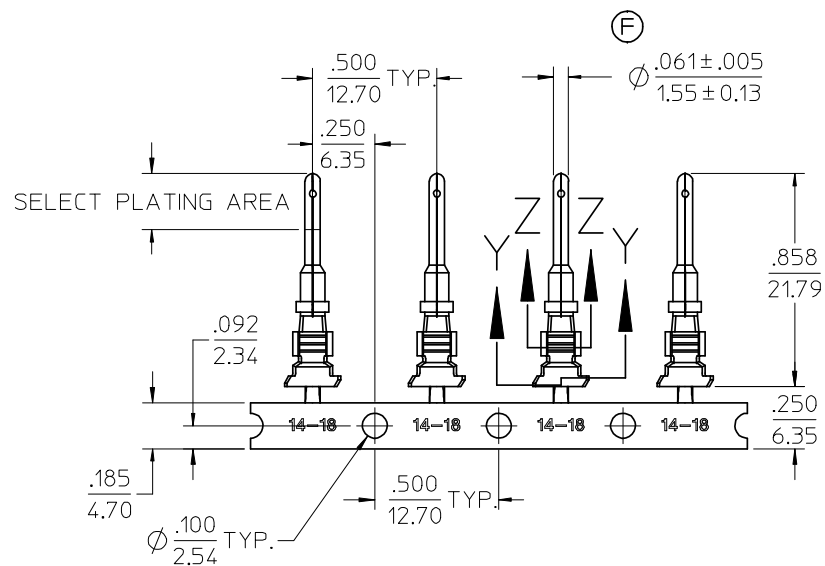
(F)	STRIP MATERIAL NUMBER	FINISH
	84590-0021	OVERALL NICKEL 80µ" MINIMUM



SECTION Z-Z



SECTION Y-Y



(F) WIRE INSULATION O.D. RANGE  $\frac{.095-.150}{2.41-3.81}$

NOTES:

1. MATERIAL: COPPER ALLOY .0120/0.305 THICK.
2. FINISH: SEE CHART.
3. STRIP TERMINALS ARE REELED AS SHOWN ABOVE, 3000 PARTS PER REEL.
4. TERMINAL FOR USE WITH SERIES XRC CONNECTOR ASSEMBLIES.
5. ALL DIMENSIONS ARE REFERENCE.
6. ALL MATERIALS AND FINISHES ARE ROHS COMPLIANT.

<b>REVISE NOTES &amp; TABLE</b> EC NO: WNA2008-0139 TDR:WMLUNG 2008/07/26 CHKD:RDEROSS 2008/04/21 APPR:RDEROSS 2008/04/24	QUALITY SYMBOLS ▽=0 ▽=0	GENERAL TOLERANCES (UNLESS SPECIFIED)		DIMENSION STYLE IN/MM		SCALE 2:1	DESIGN UNITS INCH	THIRD ANGLE PROJECTION		
		4 PLACES ± --- ± ---	mm INCH	DRAWN BY RSTONE	DATE 09/15/04	CONTACT PIN 14-18 AWG				
		3 PLACES ± --- ± .010	mm INCH	CHECKED BY APLAZA	DATE 09/15/04					
		2 PLACES ± 0.25 ± .02	mm INCH	APPROVED BY LROTHAUS	DATE 09/15/04	MOLEX INCORPORATED				
1 PLACE ± 0.5 ± ---	mm INCH	MATERIAL NO. SEE CHART		DOCUMENT NO. SD-84590-001	SHEET NO. 1 OF 1					
DRAFT WHERE APPLICABLE MUST REMAIN WITHIN DIMENSIONS		THIS DRAWING CONTAINS INFORMATION THAT IS PROPRIETARY TO MOLEX INCORPORATED AND SHOULD NOT BE USED WITHOUT WRITTEN PERMISSION								

## X-ON Electronics

Largest Supplier of Electrical and Electronic Components

*Click to view similar products for [Standard Circular Contacts](#) category:*

*Click to view products by [Molex](#) manufacturer:*

Other Similar products are found below :

[M24308/4-14F](#) [12110600010](#) [129591AU](#) [1000B BULK](#) [RFM26W-1D28](#) [RM20M13D28](#) [RM24M9D28](#) [MS3474W10-6P L/C](#) [164-901-CD](#)  
[1900ND02P2B00A](#) [192900-0082](#) [192900-0356](#) [ST-JL05-16S-C3-100](#) [T01-CRIMP-S03](#) [APK-SA16A07-002](#) [CONT-JL05-08S-C2-10](#)  
[RC16M-23T](#) [RFD26L-1D28](#) [M85049/124S13W](#) [JN1-22-20S-R-PKG100](#) [031-50565](#) [031-50794](#) [SJS861301M](#) [CF16SC18RF](#) [CONT-JL05-](#)  
[08P-C1-10](#) [ST-JL05-16P-C1-100](#) [ST-JL05-16S-C1-100](#) [ST-JL05-20P-C1-100](#) [ST-JN5-S-C1B-2500-\(A534G\)](#) [82911466K](#) [82911467NK](#)  
[84690-0106](#) [M81714/67-21](#) [M24308/2-11F](#) [HN0201600031](#) [M85049/118S20W](#) [031-50969-010](#) [T3P16FC3LZ](#) [ST-JL05-16S-C2-3500](#) [ZP-](#)  
[4016-10NF](#) [HN0201600022](#) [M24308/2-290F](#) [T3P22MC1LY](#) [CONT-JL05-08P-C2-10](#) [M24308/2-283Z](#) [CONT-JL05-12P-C1-10](#)  
[RM20M12G8D28](#) [031-50676](#) [12115010110](#) [SAM12C-03G03](#) [CAP-DACMDPC2](#)