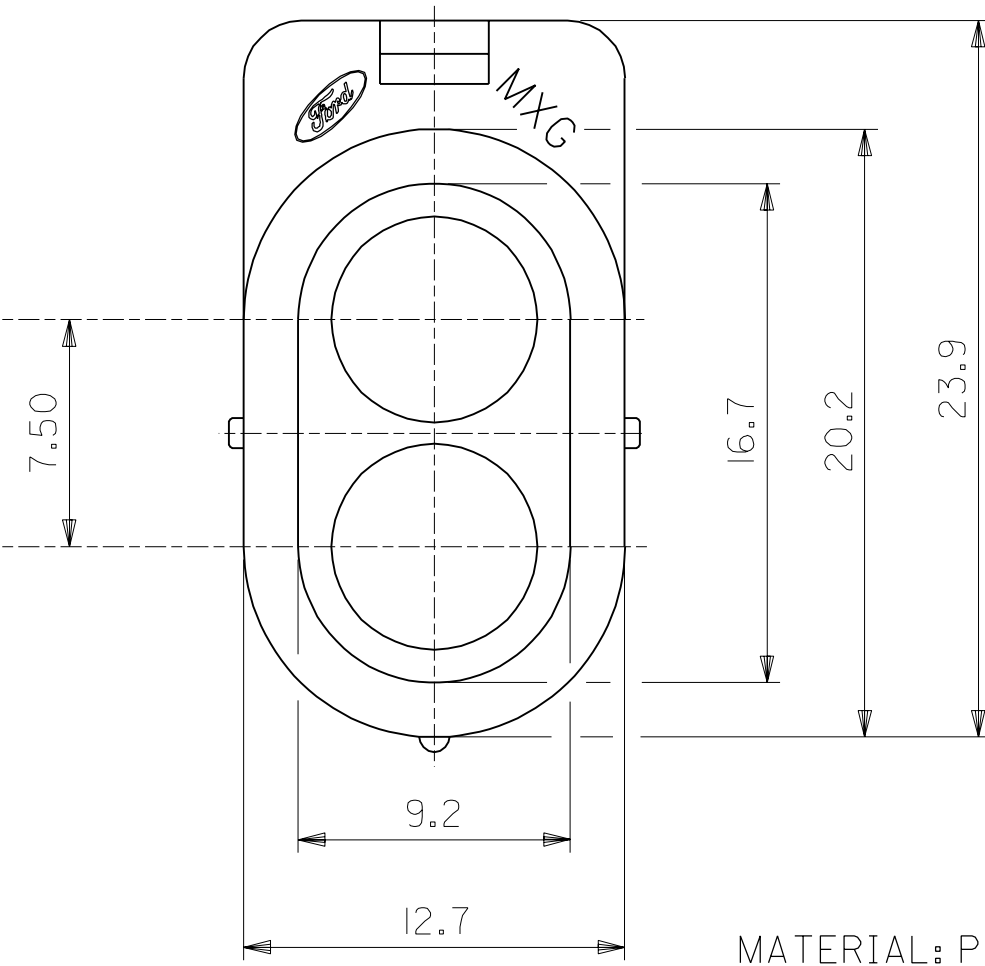
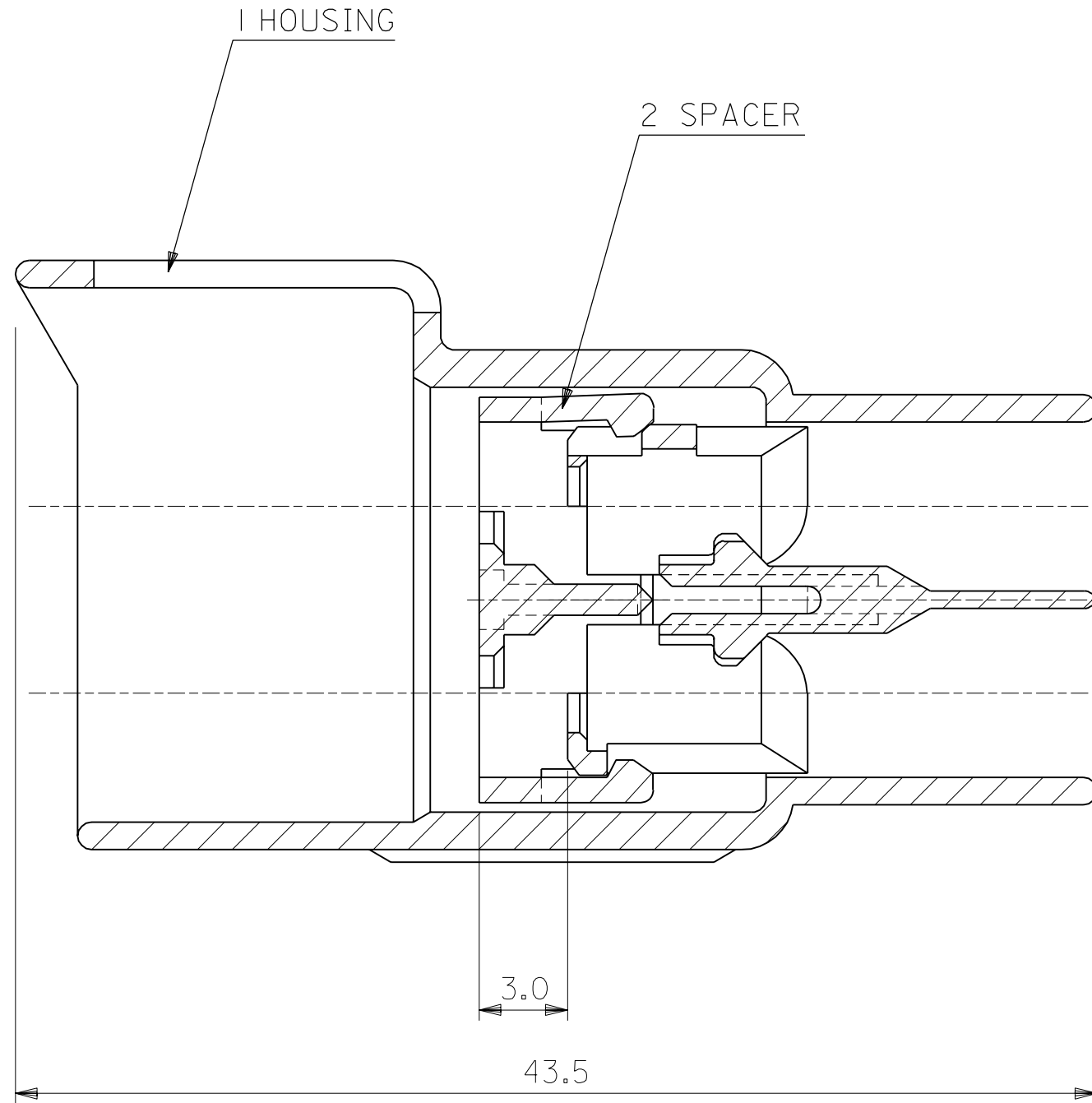


MOLEX NO.	COLOR	FARBE	RAL
98018-0001	BLACK	SCHWARZ	9005
98018-0002	BROWN	BRAUN	8017
98018-0003	BLUE	BLAU	5015
98018-0004	GREEN	GRUEN	6001
98018-0005	YELLOW	GELB	1018
98018-0006	GREY	GRAU	7035
98018-0007	ORANGE	ORANGE	1007
98018-0008	NATURAL	NATUR	-



MATERIAL: PBTP 30% GV

PART NO.
DWG. NO.

FOR PREVIOUS
DRAWING ISSUES
SEE "EDIS"

ECN MXG 1028
01.03.93
H. DIETZ
D LTR REVISIONS

THIRD ANGLE PROJECTION

DIMENSIONS SHOWN (METRIC) INCH
UNLESS OTHERWISE SPECIFIED
TOLERANCES: ANGULAR ±
INCH (METRIC)

3 PLACE	±	±
2 PLACE	±	±
1 PLACE	±	± 0.2

DRAFT WHERE APPLICABLE MUST
REMAIN WITHIN DIMENSIONS

DESIGN DIMENSION (MM)
(PRIMARY) IN.

EQUIVALENT DIMENSION (MM)
(SECONDARY) IN.

DRWG BY DT
CHK'D BY ARE
APP'D BY APO
SCALE

REVISE ONLY ON CAD SYSTEM

CADCAM FILENAME SDA98018 DCN	THIS DRAWING CONTAINS INFORMATION THAT IS PROPRIETARY TO MOLEX INC. & SHOULD NOT BE USED WITHOUT WRITTEN PERMISSION
TITLE 2-WAY HOUSING FOR MALE TERMINAL	
SHEET NO. DATE 1 / 1 87 / 02 / 19	
PART NO. DWG NO. SIZE SEE TABLE SDA-98018 B	

X-ON Electronics

Largest Supplier of Electrical and Electronic Components

Click to view similar products for [Headers & Wire Housings](#) category:

Click to view products by [Molex](#) manufacturer:

Other Similar products are found below :

[95000-104TRLF](#) [10135584-644402LF](#) [DF62W-EP2022PCA](#) [95000-106TRLF](#) [DF62W-2022SCA](#) [DF62W-EP2022PC](#) [2203348](#) [DF62W-2022SC](#) [1084018](#) [1029039](#) [1084017](#) [802-10-012-10-002000](#) [1112640](#) [1112639](#) [000-34000](#) [0009482033](#) [0009507031](#) [57102-S06-03LF](#) [57202-S52-04LF](#) [PCN6-15S-2.5E](#) [0039019024](#) [58102-G61-06LF](#) [582553-1](#) [0009485154](#) [0009508121](#) [0022285053](#) [0050291907](#) [018731A](#) [LY20-4P-DT1-P1E-BR](#) [02.125.8002.8](#) [60101931](#) [60598-1 \(Cut Strip\)](#) [M1625-3R/100](#) [61062-3](#) [61082-181009](#) [636-1427](#) [638009-1](#) [641938-9](#) [641991-4](#) [644168-1](#) [647662-1](#) [65039-019ELF](#) [65817-002LF](#) [65817-015LF](#) [65863-015LF](#) [66207-023LF](#) [67016-026LF](#) [67046-001LF](#) [67095-007LF](#) [67230-005LF](#)