

**GENERAL OPERATING CHARACTERISTICS**

PRESSURE RANGE	0 TO 775 mmHg (0 TO 15 PSIG)
OVERPRESSURE	3103 mmHg (60 PSI)
TEMPERATURE RANGES	
STORAGE	-55°C TO +125°C
OPERATE	-40°C TO +85°C
COMPENSATED	0°C TO +50°C
SUPPLY VOLTAGE	16 VDC MAX
INPUT RESISTANCE	6800 OHM TYP

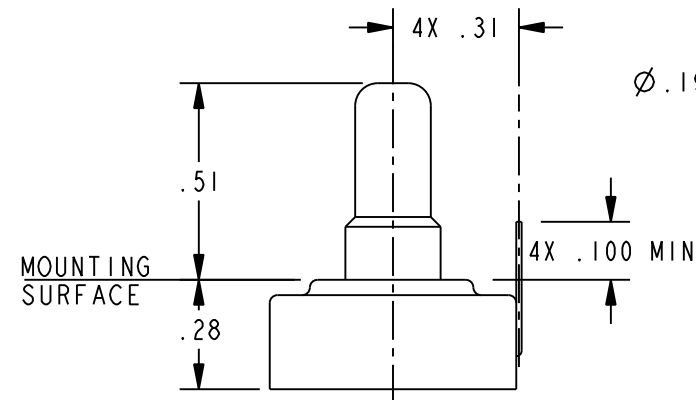
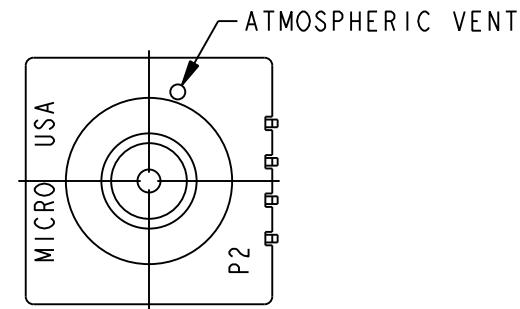
**ELECTRICAL PERFORMANCE AT 10.00±.01 VDC SUPPLY AND +25°C**

NULL OFFSET	0 ± 1 mV (AT 0 PSI)
F.S.O. $\triangle 3$	40 ± 1.5 mV (0 TO 15 PSI)
LINEARITY (BFSL)	
INPUT < VENT	.25% F.S.O. MAX $\triangle 3$
INPUT > VENT	.50% F.S.O. MAX $\triangle 3$
HYSTERESIS & REPEATABILITY	±.15% F.S.O. TYP $\triangle 3$

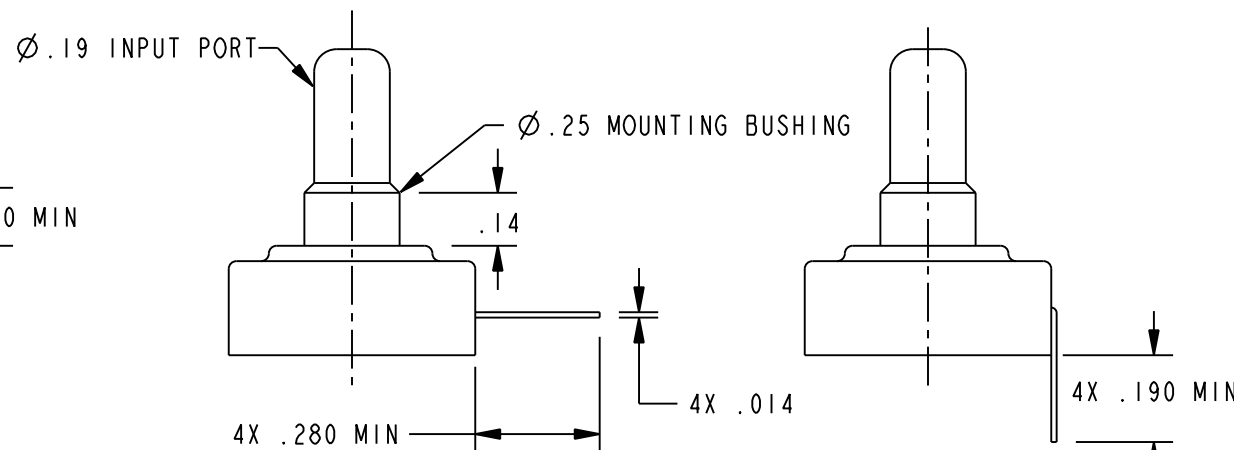
**TEMPERATURE ERROR (25°C TO 0°C OR +25°C TO +50°C)**

NULL SHIFT	±4 mV MAX
SENSITIVITY SHIFT	±3.0% F.S.O. MAX $\triangle 3$

CATALOG LISTING	TERMINAL STYLE
136PC15G1L	1 $\triangle 4$
136PC15G2L	2 $\triangle 4$
136PC15G1L23	1 $\triangle 5$
136PC15G3L23	3 $\triangle 5$

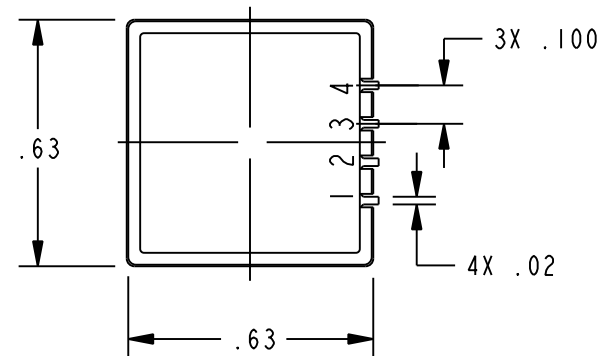


STYLE 1



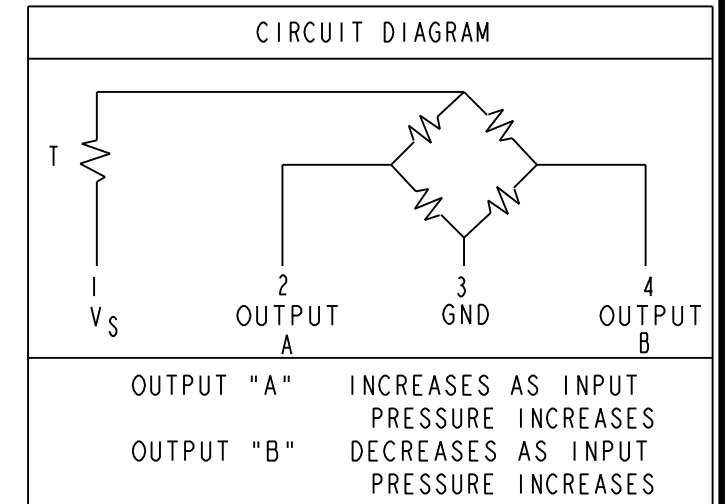
STYLE 2

STYLE 3



**NOTES**

- 1 - TERMINALS ARE PLATED FOR SOLDERING
- 2 - LIMIT SOLDERING TO 315°C MAX FOR 10 SECONDS MAX
- $\triangle 3$  - F.S.O. IS THE ALGEBRAIC DIFFERENCE BETWEEN THE OUTPUT END POINTS (NULL AND FULL PRESSURE)
- $\triangle 4$  - INPUT MEDIA LIMITED ONLY TO THOSE MEDIA THAT WILL NOT ATTACK POLYESTER, SILICON OR SILICONE BASED ADHESIVE MATERIAL SELECTED FOR RESISTANCE TO GASOLINE AND GASOLINE VAPORS
- $\triangle 5$



THIRD ANGLE PROJECTION	
SCALE	2 : 1
DO NOT SCALE PRINT	
UNLESS OTHERWISE SPECIFIED TOLERANCES ARE	
ONE PLACE (.0)	±.030
TWO PLACE (.00)	±.015
THREE PLACE (.000)	±.005
ANGLES	±
WEIGHT	

CATALOG LISTING 136PC15G SERIES CHART 2

ISSUE 16

REVISIONS  
A 206109  
30 JUL 02  
B 0011992  
29MAR05

CHECK 29MAR05  
AK  
CHECK 30 JUL 02  
SAV  
CHECK 30 JUL 02

PTC/CAD 2D  
DRAWN  
D L T 30 JUL 02

## X-ON Electronics

Largest Supplier of Electrical and Electronic Components

*Click to view similar products for [Board Mount Pressure Sensors](#) category:*

*Click to view products by [Honeywell](#) manufacturer:*

Other Similar products are found below :

[80527-25.0H2-05](#) [80541-B00000150-01](#) [80541-B00000200-05](#) [80554-00700100-05](#) [80568-00300050-01](#) [81618-B00000040-01](#) [81739-B00000900-01](#) [81807-B00000020-01](#) [81808-B00000150-14](#) [82903-B00000020-01](#) [93.631.4253.0](#) [93.731.4353.0](#) [93.932.4553.0](#) [136PC150G2](#) [136PC15A1](#) [142PC95AW71](#) [142PC05DW70](#) [MPXV2202DPT1](#) [15PSI-G-4V](#) [1805-01A-L0N-B](#) [2000317-1](#) [26PCBKT](#) [26PCCFA6D26](#) [26PCCFS2G](#) [26PCCVA6D](#) [93.632.7353.0](#) [93.731.3653.0](#) [93.931.4853.0](#) [93.932.4853.0](#) [SCDA120-XSC05DC](#) [SP370-23-156-0](#) [185PC30DH](#) [192992-0059](#) [20INCH-G-MV-MINI](#) [26PCAFJ3G](#) [26PCAFS2G54](#) [26PCCEP5G24](#) [26PCJEU5G19](#) [30INCH-D1-MV-MINI](#) [ASCX15AN-90](#) [TSCSAAN001PDUCV](#) [DCAL401DN](#) [DCAL401GN](#) [XZ202798SSC](#) [XZ203676HSC](#) [SP370-25-116-0](#) [81717-00000050-05](#) [81794-B00001200-01](#) [HSCDLNN100PGAA5](#) [81618-B00000040-05](#)