

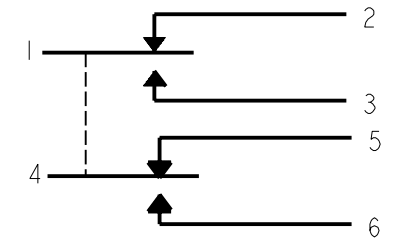
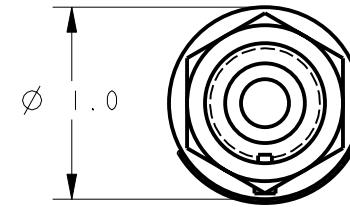
MICRO SWITCH
a Honeywell Division

FED. MFG. CODE 91929

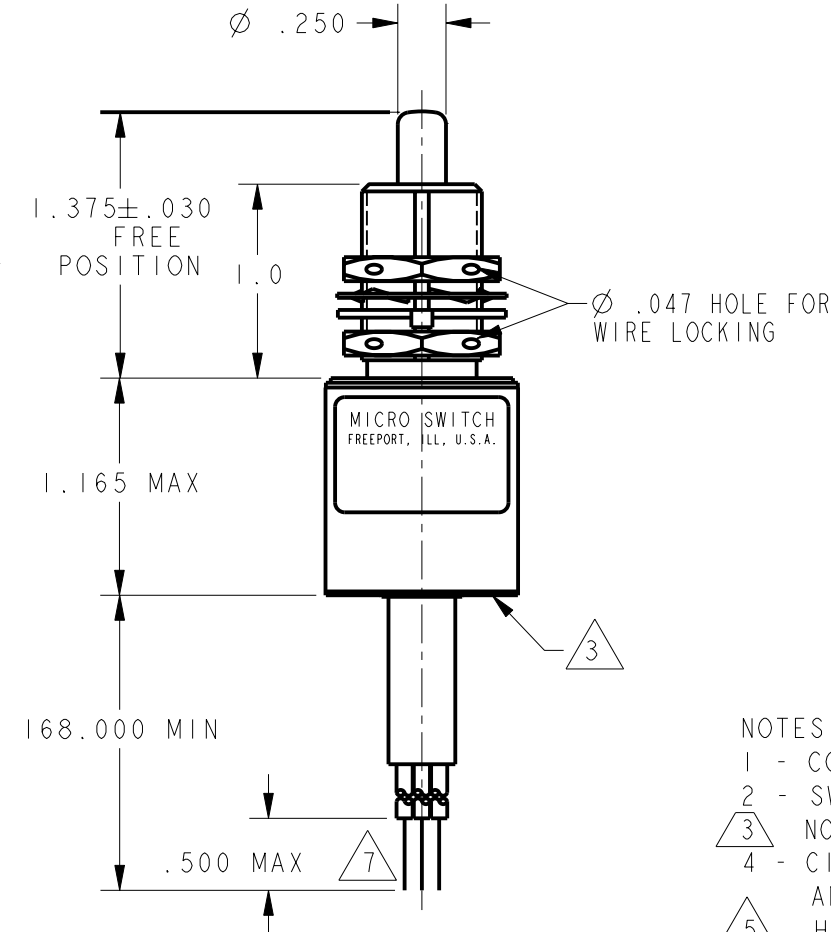
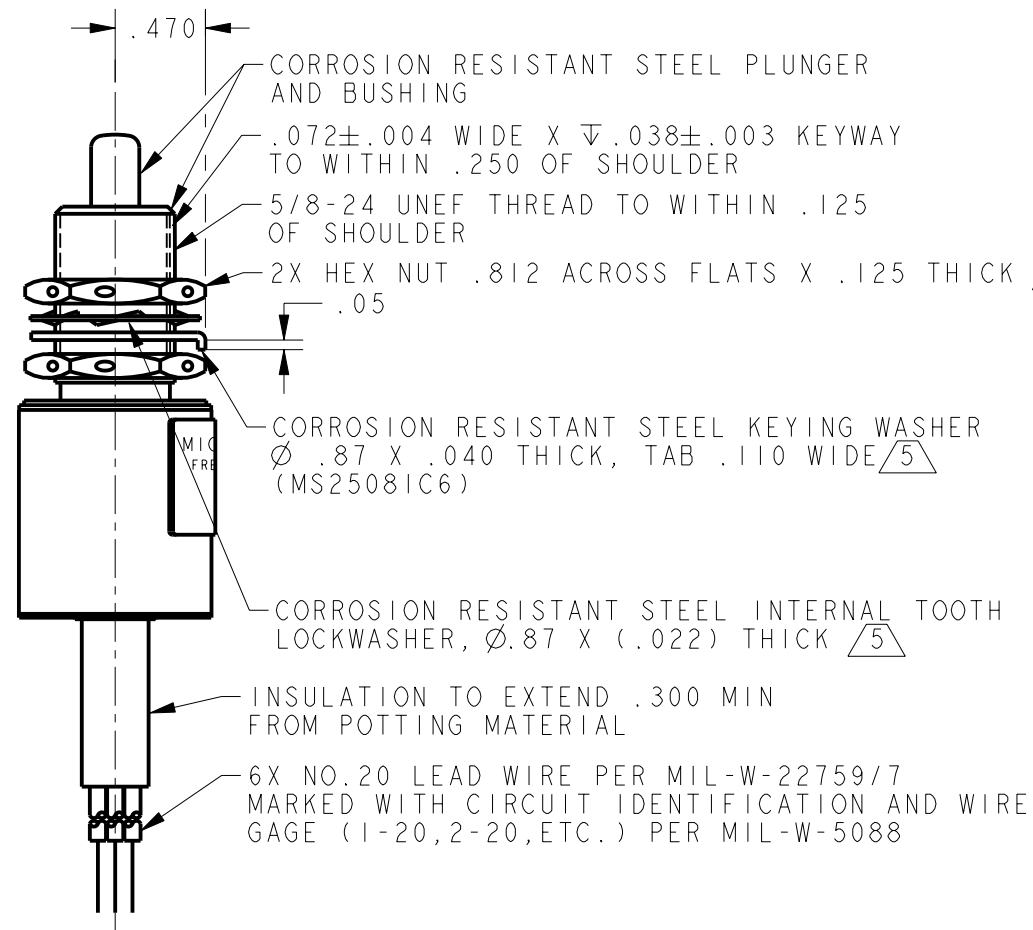
SWITCH - ENCLOSED

CATALOG LISTING

1EN1-14B

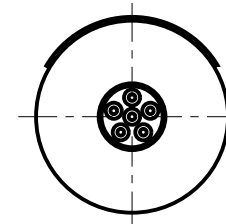


CIRCUIT DIAGRAM



NOTES

- 1 - CORROSION RESISTANT STEEL ENCLOSURE
- 2 - SWITCH SEALED PER MIL-PRF-8805 SYMBOL 4
- $\triangle 3$ NO POTTING PERMISSIBLE ON SWITCH BOTTOM
- 4 - CIRCUIT DIAGRAM, DATE CODE, FED. MFG. CODE AND CATALOG LISTING ARE SHOWN ON NAMEPLATE
- $\triangle 5$ HARDWARE MAY BE PACKAGED UNASSEMBLED PER MIL-PRF-8805
- 6 - COINCIDENCE OF OPERATING AND RELEASING POINTS .010 INCH OF PLUNGER TRAVEL
- $\triangle 7$ SOLDER DIP WITH 60/40 SOLDER



1EN1-14B
 CATALOG LISTING
 PAGE 1 OF 1
 RELEASE NO. PR-7476
 ISSUE 9
 REVISIONS
 A 200716
 S A V 19 JUL 00
 CHECK
 19 JUL 00
 SAV
 CHECK
 19 JUL 00
 DRAWN
 S A V 19 JUL 00
 PTC/CAD 2D

THIS DRAWING COVERS A PROPRIETARY ITEM AND IS THE PROPERTY OF MICRO SWITCH, A DIVISION OF HONEYWELL. THIS DRAWING IS NOT TO BE COPIED OR USED WITHOUT THE APPROVAL OF MICRO SWITCH

CHARACTERISTICS		ELECTRICAL DATA		THIRD ANGLE PROJECTION	
OPERATING FORCE -----	6-12 LB	CONTACT ARRANGEMENT		SCALE	FULL
FULL OVERTRAVEL FORCE -----	30 LB MAX	2X SPDT		DO NOT SCALE PRINT	
RELEASE FORCE -----	4 LB MIN	LOAD	28 VDC	UNLESS OTHERWISE SPECIFIED TOLERANCES ARE	
PRETRAVEL -----	.040 MAX	SEA LEVEL	50,000 FT.	ONE PLACE	(.0) ±.030
DIFFERENTIAL TRAVEL -----	.020 MAX	RES	4	TWO PLACE	(.00) ±.015
OVERTRAVEL -----	.250 MIN	IND	2	THREE PLACE	(.000) ±.005
FREE POSITION		MOTOR	4	ANGLES	±
				WEIGHT	14.1 OZ MAX

ANSI Y14.5M-1982 APPLIES

X-ON Electronics

Largest Supplier of Electrical and Electronic Components

Click to view similar products for [Basic / Snap Action Switches](#) category:

Click to view products by [Honeywell](#) manufacturer:

Other Similar products are found below :

[83228001](#) [01.098.1358.1](#) [602EN1-6B](#) [602EN532](#) [602EN535-RB](#) [602HE5-RB1](#) [604HE162](#) [604HE223-6B](#) [624HE17-RB](#) [6HM89](#) [6PA78-JM](#)
[6SE1](#) [6SX1-H58](#) [70500840](#) [MBD5B1](#) [MBH2731](#) [73-316-0012](#) [79211759](#) [79211923](#) [79218589](#) [7AS12](#) [ML-1155](#) [ML-1376](#) [831010C3.0](#)
[831060C3.TL](#) [831090C2.EL](#) [83131904](#) [84212012](#) [8AS239](#) [8HM73-3](#) [903VB1-PG](#) [914CE1-6G](#) [PL-100](#) [11SM1077-H4](#) [11SM1077-H58](#)
[11SM1-TN107](#) [11SM405](#) [11SM703-T](#) [11SM8423-H2](#) [11SX37-T](#) [11SX48-H58](#) [11SX55-H58](#) [11SM2442-T](#) [11SM76-T](#) [11SM77-H58](#)
[11SM77-T](#) [11SM863-T](#) [11SM866](#) [11SX47-H58](#) [A7CN-1M-1-LEFT](#)