

MICRO SWITCH
a Honeywell Division

FED. MFG. CODE 91929

SWITCH-ENCLOSED

CATALOG LISTING
1EN417-R3

CATALOG LISTING
1EN417-R3

PAGE 1 OF 1

ISSUE
2

REVISIONS
A PR-23871
GRT
5 MAR 99

RELEASE NO. PR-23871 REPLACES

CHECK

CHECK

CHECK

CHECK

CHECK

CHECK

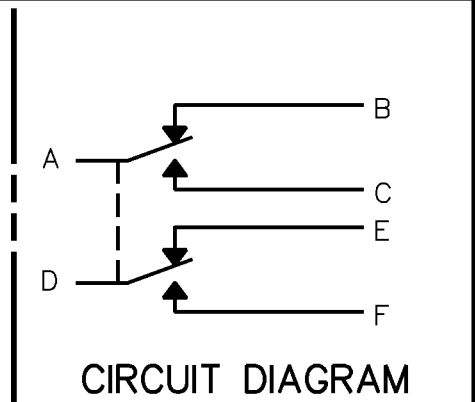
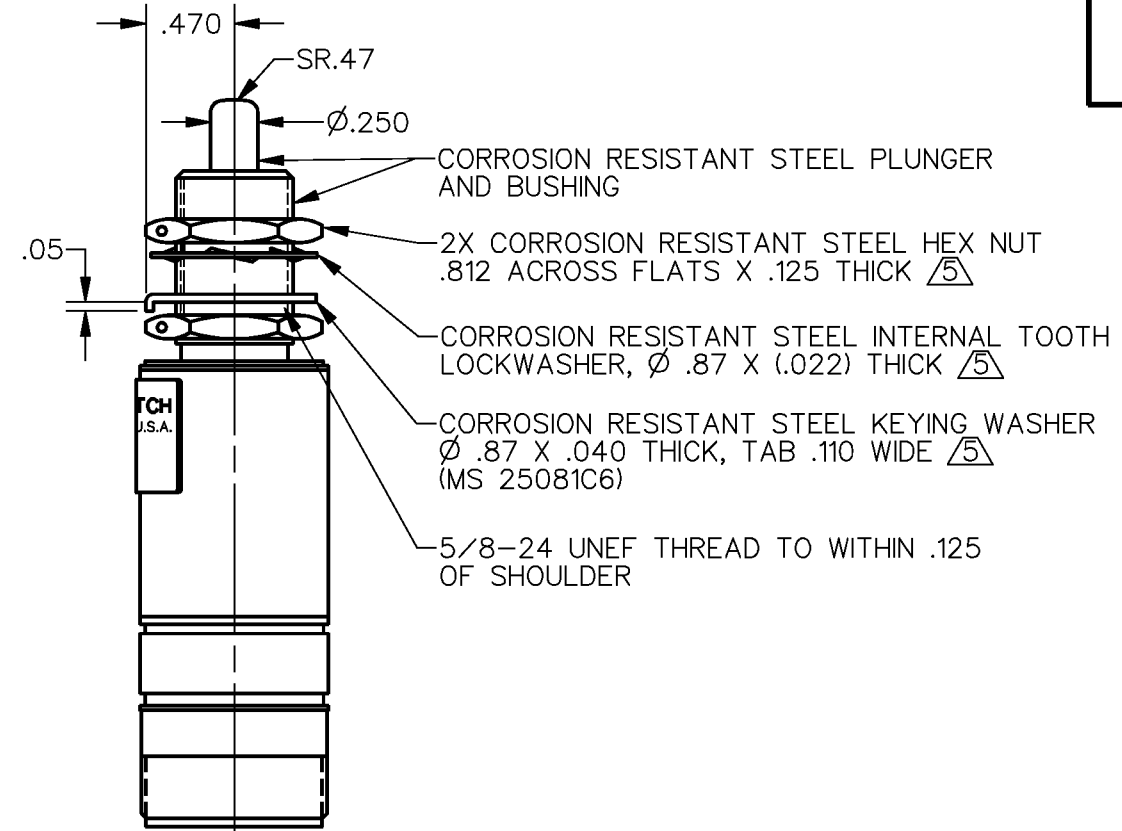
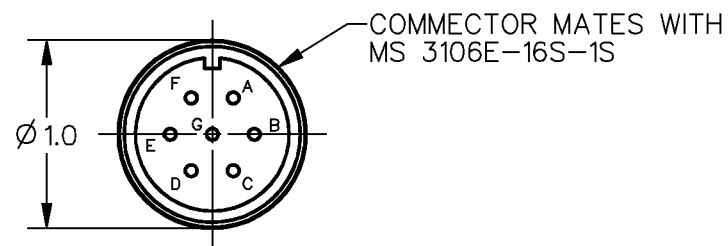
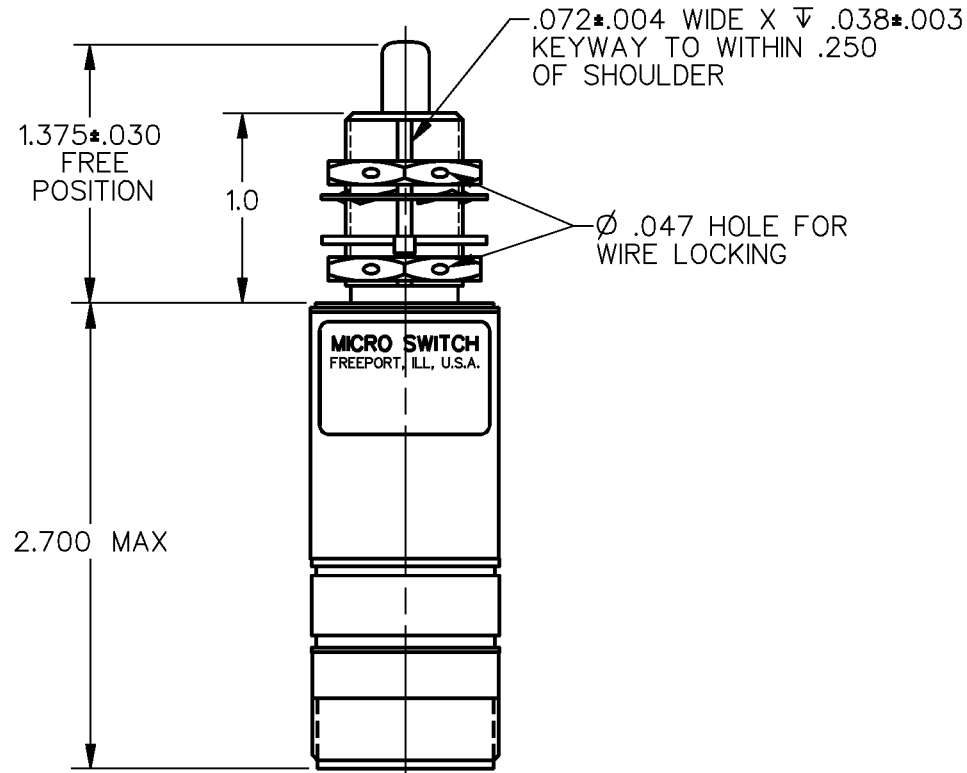
CHECK

CHECK

CHECK

DDM/CAD
DRAWN

GRT



- NOTES
- ENCLOSURE FINISHED WITH GREEN EPOXY BASED ENAMEL COLOR NO.34151 PER FEDERAL STANDARD 595
 - SWITCH SEALED PER MIL-PRF-8805 SYMBOL 4
 - CIRCUIT DIAGRAM, CATALOG LISTING, DATE CODE AND FEDERAL MFG. CODE ARE SHOWN ON NAMEPLATE
 - COINCIDENCE OF OPERATING AND RELEASING POINTS: .010 OF PLUNGER TRAVEL
 - HARDWARE MAY BE PACKED UNASSEMBLED PER MIL-PRF-8805
 - BASIC SWITCHES HAVE GOLD CONTACTS

THIS DRAWING COVERS A PROPRIETARY ITEM AND IS THE PROPERTY OF MICRO SWITCH, A DIVISION OF HONEYWELL. THIS DRAWING IS NOT TO BE COPIED OR USED WITHOUT THE APPROVAL OF MICRO SWITCH		THIRD ANGLE PROJECTION	
		SCALE FULL	
		DO NOT SCALE PRINT	
CHARACTERISTICS		ELECTRICAL DATA	
OPERATING FORCE -----6-12 LB		CONTACT ARRANGEMENT	
FULL OVERTRAVEL-----30 LB MAX		2X S P D T	
RELEASE FORCE-----4 LB MIN		28 VDC (6)	
PRETRAVEL -----.040 MAX		LOAD	SEA LEVEL 50,000 FT
DIFFERENTIAL TRAVEL -----.020 MAX		RES	1.0
OVERTRAVEL -----.230 MIN		IND	0.5
		WEIGHT	

ANSI Y14.5M-1982 APPLIES

X-ON Electronics

Largest Supplier of Electrical and Electronic Components

Click to view similar products for [Basic / Snap Action Switches](#) category:

Click to view products by [Honeywell](#) manufacturer:

Other Similar products are found below :

[83228001](#) [01.098.1358.1](#) [602EN1-6B](#) [602EN532](#) [602EN535-RB](#) [602HE5-RB1](#) [604HE162](#) [604HE223-6B](#) [624HE17-RB](#) [6HM89](#) [6PA78-JM](#)
[6SE1](#) [6SX1-H58](#) [70500840](#) [MBD5B1](#) [MBH2731](#) [73-316-0012](#) [79211759](#) [79211923](#) [79218589](#) [7AS12](#) [ML-1155](#) [ML-1376](#) [831010C3.0](#)
[831060C3.TL](#) [831090C2.EL](#) [83131904](#) [84212012](#) [8AS239](#) [8HM73-3](#) [903VB1-PG](#) [914CE1-6G](#) [PL-100](#) [11SM1077-H4](#) [11SM1077-H58](#)
[11SM1-TN107](#) [11SM405](#) [11SM703-T](#) [11SM8423-H2](#) [11SX37-T](#) [11SX48-H58](#) [11SX55-H58](#) [11SM2442-T](#) [11SM76-T](#) [11SM77-H58](#)
[11SM77-T](#) [11SM863-T](#) [11SM866](#) [11SX47-H58](#) [A7CN-1M-1-LEFT](#)