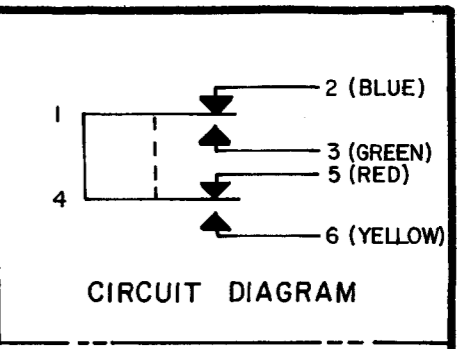


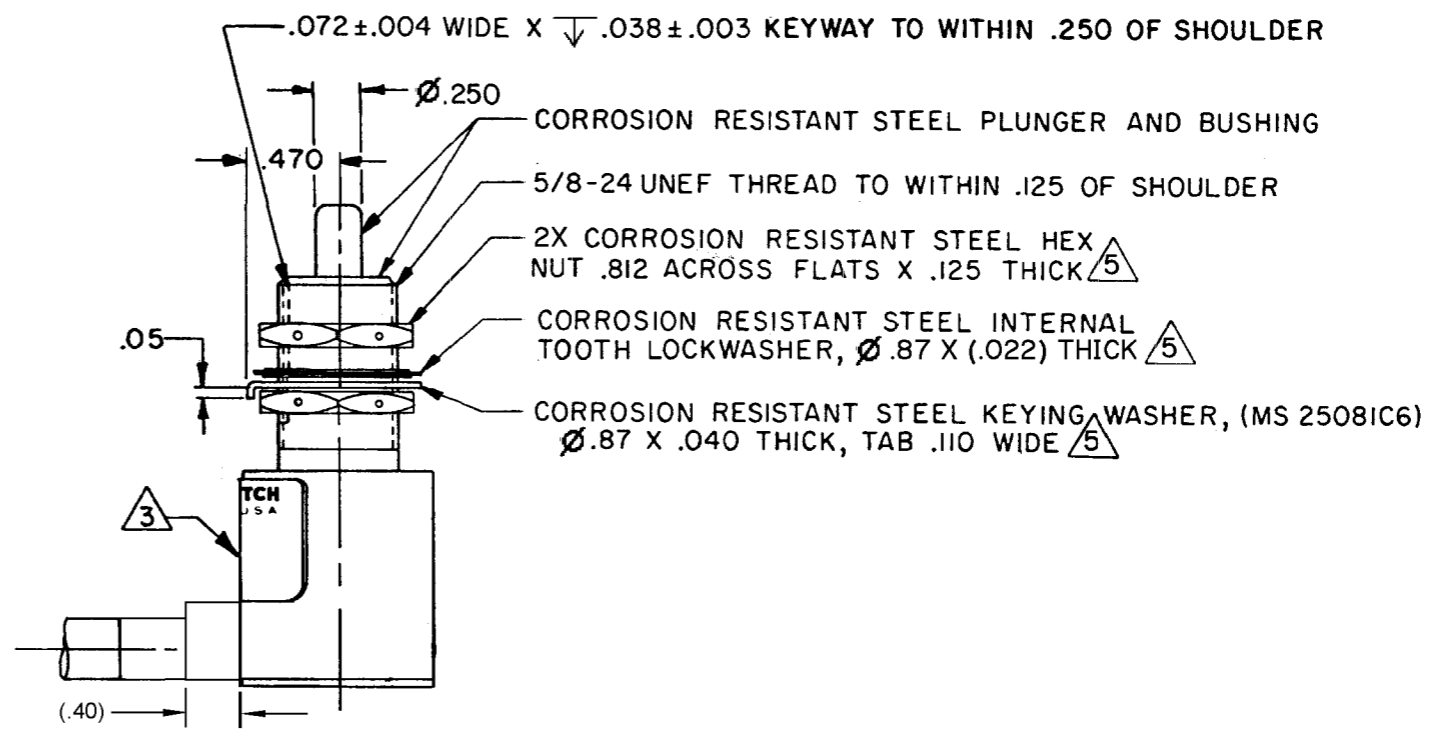
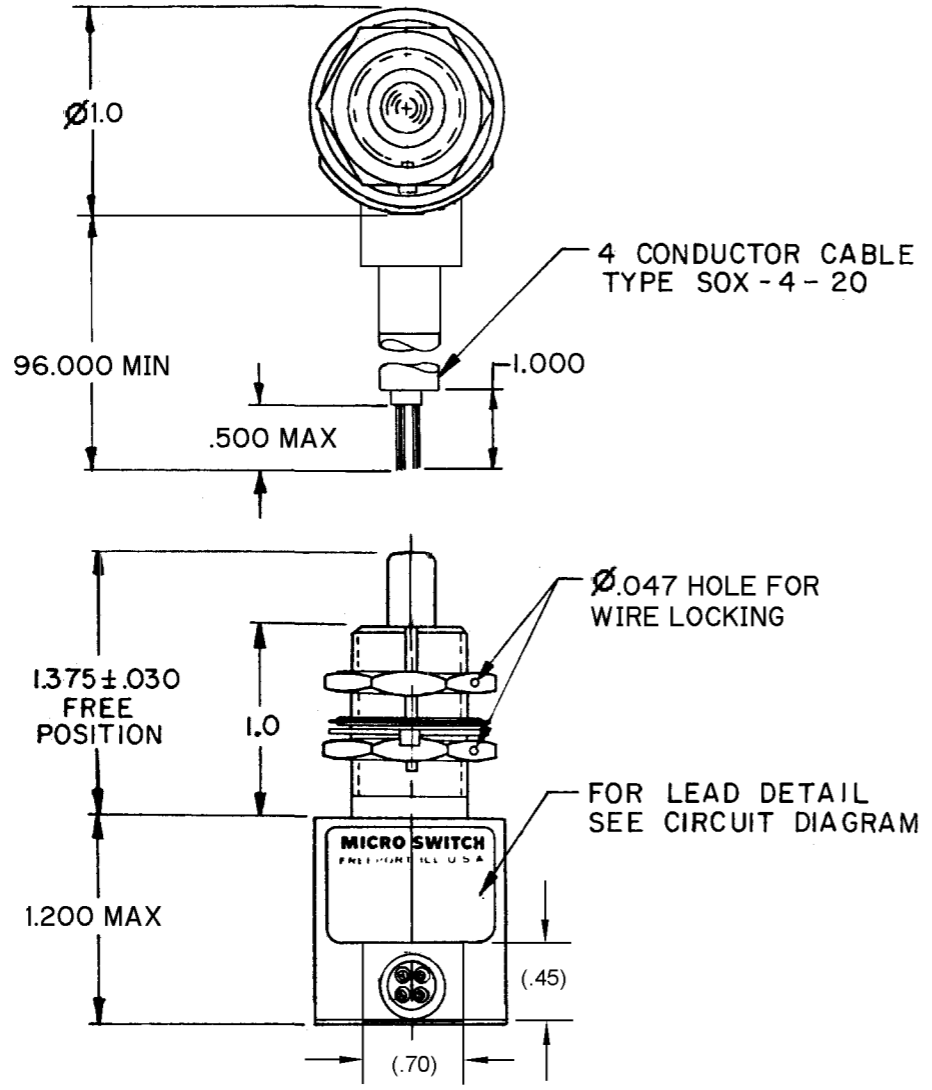
**MICRO SWITCH**  
 FREEPORT ILLINOIS U.S.A.  
 A DIVISION OF HONEYWELL  
 FED. MFG. CODE 91929

**SWITCH - ENCLOSED**

CATALOG LISTING  
**1EN63-8**



DRAWING NUMBER **1EN63-8**  
 PAGE 1 OF 1  
 ISSUE **M**  
 24  
 REVISIONS  
 A CO44351 PART 7 S J B 26 MAR 79  
 B CO47573 J A P 5 AUG 80  
 C CO57394 K E W 3 JUL 85  
 D CO-68503 SAV 20 OCT 90  
 E CO 74101 D A W 8 FEB 93  
 F CO 77278 W J C 17 JAN 94  
 G CO 77504 C DLT 28 JUL 94  
 H CO-96029 J J A 9 FEB 00  
 J 0016449 KSR 27 OCT 05  
 FO-32831-A  
 DRAWN  
 S J B 26 MAR 79  
 CHECK C E B  
 R J 20 APR 79  
 CHECK C E B  
 R J 27 OCT 05  
 REPLACES  
 RELEASE NO. SR-7205



- NOTES**
- 1 - CORROSION RESISTANT STEEL ENCLOSURE
  - 2 - SWITCH SEALED PER MIL-PRF-8805, SYMBOL 4
  - 3 - CIRCUIT DIAGRAM AND CATALOG LISTING ARE SHOWN ON NAMEPLATE
  - 4 - COINCIDENCE OF OPERATING AND RELEASING POINTS: .010 OF PLUNGER TRAVEL
  - 5 HARDWARE MAY BE PACKAGED UNASSEMBLED PER MIL-PRF-8805

THIS DRAWING COVERS A PROPRIETARY ITEM AND IS THE PROPERTY OF MICRO SWITCH, A DIVISION OF HONEYWELL. THIS DRAWING IS NOT TO BE COPIED OR USED WITHOUT THE APPROVAL OF MICRO SWITCH.		THIRD ANGLE PROJECTION		SCALE FULL	
CHARACTERISTICS		ELECTRICAL DATA		DO NOT SCALE PRINT	
OPERATING FORCE ----- 6-12 LB		CONTACT ARRANGEMENT		TOLERANCES	
FULL OVERTRAVEL FORCE ----- 30 LB MAX		SPNO (I) SPNC (I)		APPLY TO DESIGN UNITS. CONVERSIONS ARE ONLY FOR REFERENCE. UNLESS NOTED, TOLERANCES ARE Z	
RELEASE FORCE ----- 4 LB MIN		LOAD		DIM. TOL. DIM. TOL.	
PRETRAVEL ----- .040 MAX		28 VDC		mm mm/in in mm/in	
DIFFERENTIAL TRAVEL ----- .020 MAX		SEA LEVEL 50,000 FT.		NO PLACES X .1704	
OVERTRAVEL ----- .250 MIN		RES 4 4		ONE PLACE XX 0.41/016 X X 0.81/03	
		IND 2 2		TWO PLACES XXX 0.157/006 X XX 0.387/015	
		MOTOR 4		THREE PLACES XXXX 0.157/005	
				ANGLES	
				SI METRIC <input type="checkbox"/> US CUSTOMARY <input checked="" type="checkbox"/>	
				DESIGN UNITS	
				RAW MATERIAL-COMMERCIAL STANDARD	
				MICRO SWITCH STANDARDS APPLY	
				DIMENSIONS ARE TO BE MET BEFORE PROTECTIVE COATINGS ARE APPLIED	
				WEIGHT 11.0 OZ. MAX	

ANSI Y14.5M-1982 APPLIES

## X-ON Electronics

Largest Supplier of Electrical and Electronic Components

*Click to view similar products for [Basic / Snap Action Switches](#) category:*

*Click to view products by [Honeywell](#) manufacturer:*

Other Similar products are found below :

[83228001](#) [01.098.1358.1](#) [602EN1-6B](#) [602EN532](#) [602EN535-RB](#) [602HE5-RB1](#) [604HE162](#) [604HE223-6B](#) [624HE17-RB](#) [6HM89](#) [6PA78-JM](#)  
[6SE1](#) [6SX1-H58](#) [70500840](#) [MBD5B1](#) [MBH2731](#) [73-316-0012](#) [79211759](#) [79211923](#) [79218589](#) [7AS12](#) [ML-1155](#) [ML-1376](#) [831010C3.0](#)  
[831060C3.TL](#) [831090C2.EL](#) [83131904](#) [84212012](#) [8AS239](#) [8HM73-3](#) [903VB1-PG](#) [914CE1-6G](#) [PL-100](#) [11SM1077-H4](#) [11SM1077-H58](#)  
[11SM1-TN107](#) [11SM405](#) [11SM703-T](#) [11SM8423-H2](#) [11SX37-T](#) [11SX48-H58](#) [11SX55-H58](#) [11SM2442-T](#) [11SM76-T](#) [11SM77-H58](#)  
[11SM77-T](#) [11SM863-T](#) [11SM866](#) [11SX47-H58](#) [A7CN-1M-1-LEFT](#)