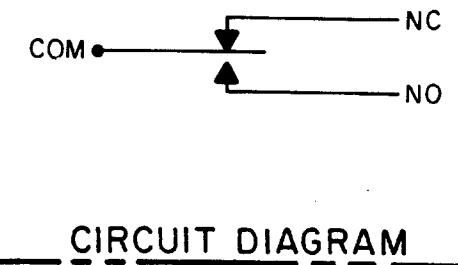


MICRO SWITCH
 FREEPORT ILLINOIS U.S.A.
 A DIVISION OF HONEYWELL
 FED. MFG. CODE 91929

SWITCH - ENCLOSED

CATALOG LISTING
21EN13

M



21EN13

M

DRAWING NUMBER

2626

ISSUE

CHECK

REVISIONS

A C044351
 C E B
 11 SEPT 79

B C046783
 C J H
 7 JUN 80

C C047873
 PART 4
 R J H
 7 AUG 80

D C057094
 T S K
 28 MAR 85

E C057370
 M A M
 15 MAY 85

F C074101
 D A W
 8 FEB 93

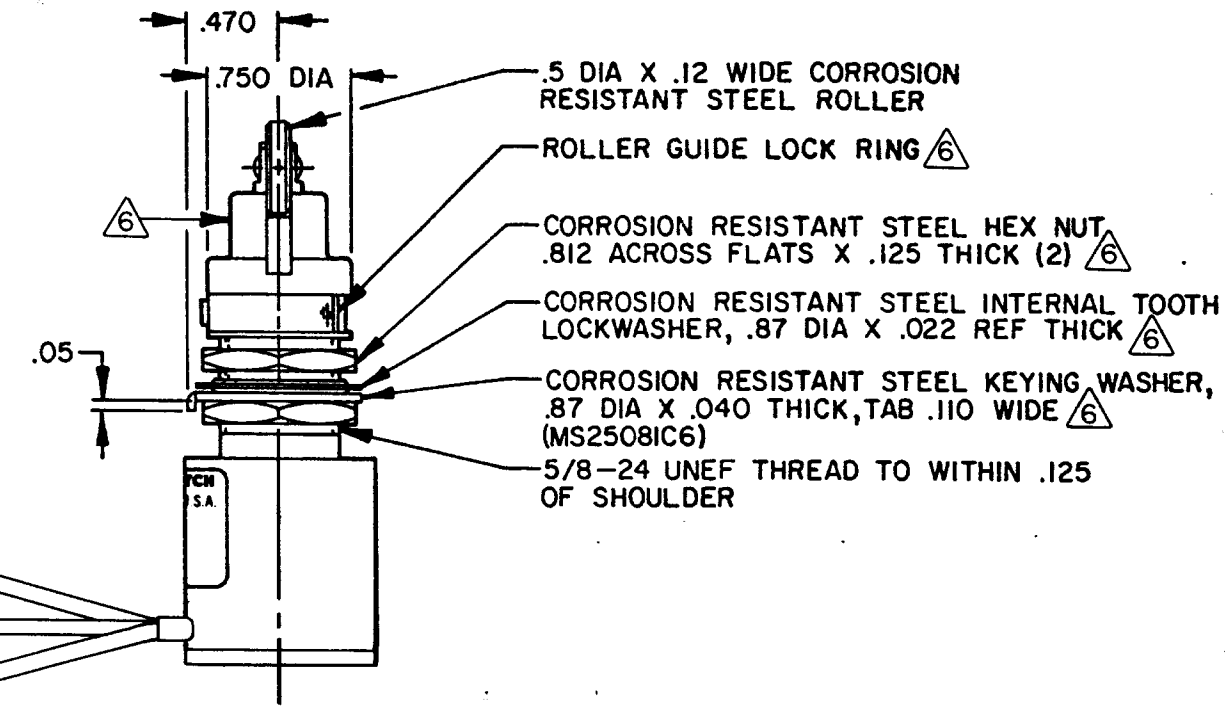
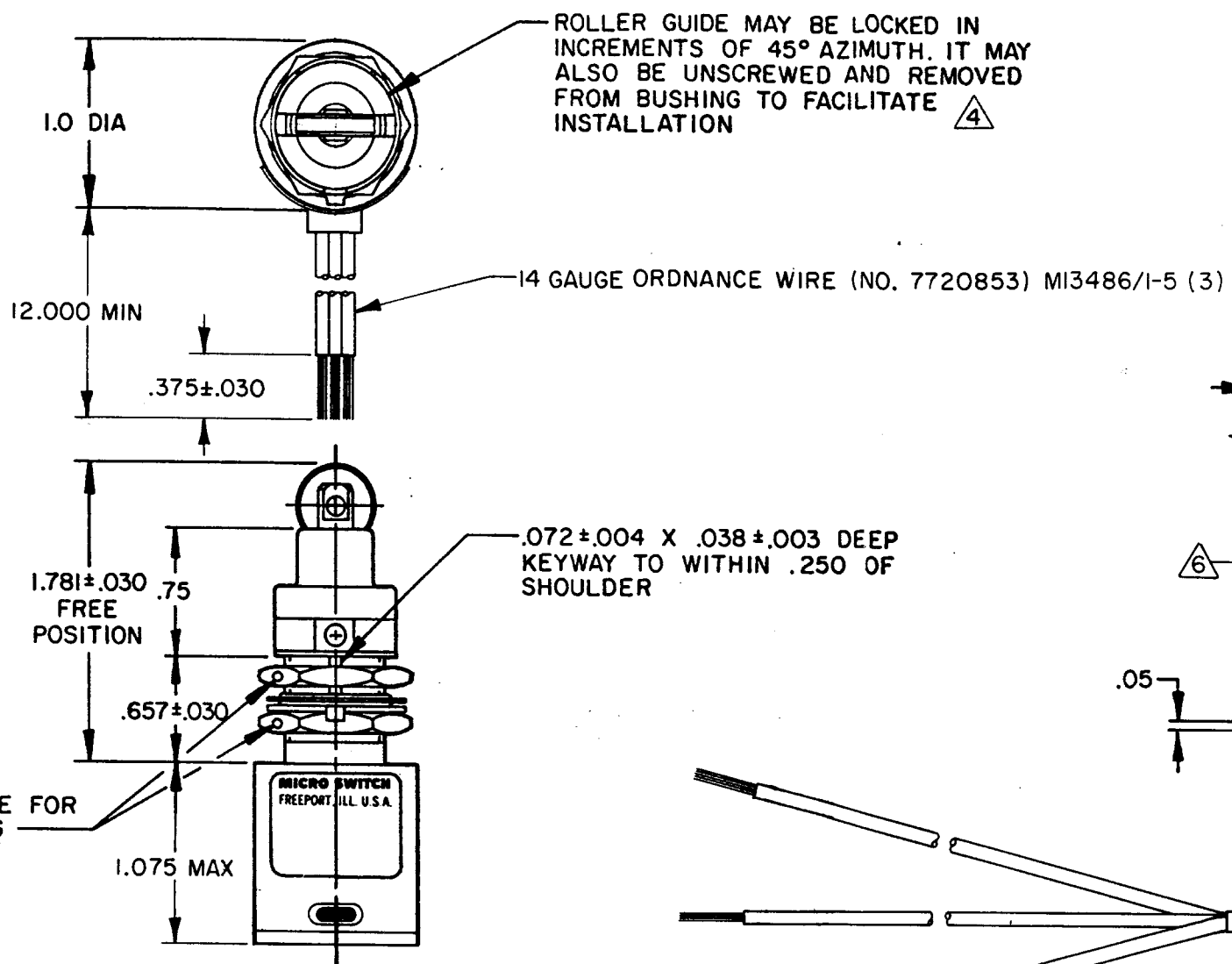
G C077504 C
 D L T
 26 JUL 94

H C080096
 D L T
 14 MAR 95

FO-32851-A
 DRAWN

C E B

REPLACES PR-5550
 CHECK 12 SEPT 79
 CHECK 12 SEPT 79
 CHECK 12 SEPT 79



- NOTES**
- 1 - CORROSION RESISTANT STEEL ENCLOSURE
 - 2 - SWITCH SEALED PER MIL-S-8805 SYMBOL 4
 - 3 - CIRCUIT DIAGRAM, CATALOG LISTING AND DATE CODE ARE SHOWN ON NAMEPLATE
 - 4 TO ADJUST ROLLER DIRECTION, REMOVE ROLLER GUIDE LOCK RING, SCREW ROLLER GUIDE DOWN AS FAR AS POSSIBLE, THEN UNSCREW TO DESIRED DIRECTION. SECURE BY REPLACING ROLLER GUIDE LOCK RING
 - 6 HARDWARE MAY BE PACKAGED UNASSEMBLED PER MIL-S-8805

THIS DRAWING COVERS A PROPRIETARY ITEM AND IS THE PROPERTY OF MICRO SWITCH, A DIVISION OF HONEYWELL. THIS DRAWING IS NOT TO BE COPIED OR USED WITHOUT THE APPROVAL OF MICRO SWITCH.		THIRD ANGLE PROJECTION	SCALE FULL																								
CHARACTERISTICS		ELECTRICAL DATA	DO NOT SCALE PRINT																								
OPERATING FORCE ----- 6-12 LB	FULL OVERTRAVEL FORCE ----- 30 LB MAX	CONTACT ARRANGEMENT SPDT	TOLERANCES APPLY TO DESIGN UNITS. CONVERSIONS ARE ONLY FOR REFERENCE. UNLESS NOTED, TOLERANCES ARE ±																								
RELEASE FORCE ----- 4 LB MIN	PRETRAVEL ----- .040 MAX	LOAD	<table border="1"> <tr> <th>DIM.</th> <th>TOL.</th> <th>DIM.</th> <th>TOL.</th> </tr> <tr> <td>NO PLACES</td> <td>±</td> <td>mm/in</td> <td>±</td> </tr> <tr> <td>ONE PLACE</td> <td>±</td> <td>mm/in</td> <td>±</td> </tr> <tr> <td>TWO PLACES</td> <td>±, ±</td> <td>mm/in</td> <td>±, ±</td> </tr> <tr> <td>THREE PLACES</td> <td>±, ±, ±</td> <td>mm/in</td> <td>±, ±, ±</td> </tr> <tr> <td>ANGLES</td> <td></td> <td></td> <td></td> </tr> </table>	DIM.	TOL.	DIM.	TOL.	NO PLACES	±	mm/in	±	ONE PLACE	±	mm/in	±	TWO PLACES	±, ±	mm/in	±, ±	THREE PLACES	±, ±, ±	mm/in	±, ±, ±	ANGLES			
DIM.	TOL.	DIM.	TOL.																								
NO PLACES	±	mm/in	±																								
ONE PLACE	±	mm/in	±																								
TWO PLACES	±, ±	mm/in	±, ±																								
THREE PLACES	±, ±, ±	mm/in	±, ±, ±																								
ANGLES																											
DIFFERENTIAL TRAVEL ----- .020 MAX	OVERTRAVEL ----- .250 MIN	28 VDC	DESIGN UNITS <input type="checkbox"/> SI METRIC <input type="checkbox"/> US CUSTOMARY																								
		SEA LEVEL	RAW MATERIAL - COMMERCIAL STANDARD MICRO SWITCH STANDARDS APPLY DIMENSIONS ARE TO BE MET BEFORE PROTECTIVE COATINGS ARE APPLIED																								
		50,000 FT.	WEIGHT 5.6 OZ MAX																								
		RES 4																									
		IND 2																									
		MOTOR 4																									
		LAMP																									

X-ON Electronics

Largest Supplier of Electrical and Electronic Components

Click to view similar products for [Basic / Snap Action Switches](#) category:

Click to view products by [Honeywell](#) manufacturer:

Other Similar products are found below :

[83228001](#) [01.098.1358.1](#) [602EN1-6B](#) [602EN532](#) [602EN535-RB](#) [602HE5-RB1](#) [604HE162](#) [604HE223-6B](#) [624HE17-RB](#) [6HM89](#) [6PA78-JM](#)
[6SE1](#) [6SX1-H58](#) [70500840](#) [MBD5B1](#) [MBH2731](#) [73-316-0012](#) [79211759](#) [79211923](#) [79218589](#) [7AS12](#) [ML-1155](#) [ML-1376](#) [831010C3.0](#)
[831060C3.TL](#) [831090C2.EL](#) [83131904](#) [84212012](#) [8AS239](#) [8HM73-3](#) [903VB1-PG](#) [914CE1-6G](#) [PL-100](#) [11SM1077-H4](#) [11SM1077-H58](#)
[11SM1-TN107](#) [11SM405](#) [11SM703-T](#) [11SM8423-H2](#) [11SX37-T](#) [11SX48-H58](#) [11SX55-H58](#) [11SM2442-T](#) [11SM76-T](#) [11SM77-H58](#)
[11SM77-T](#) [11SM863-T](#) [11SM866](#) [11SX47-H58](#) [A7CN-1M-1-LEFT](#)