

MICRO SWITCH
a Honeywell Division

FED. MFG. CODE 91929

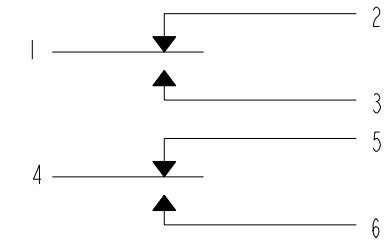
SWITCH-ENCLOSED

CATALOG LISTING

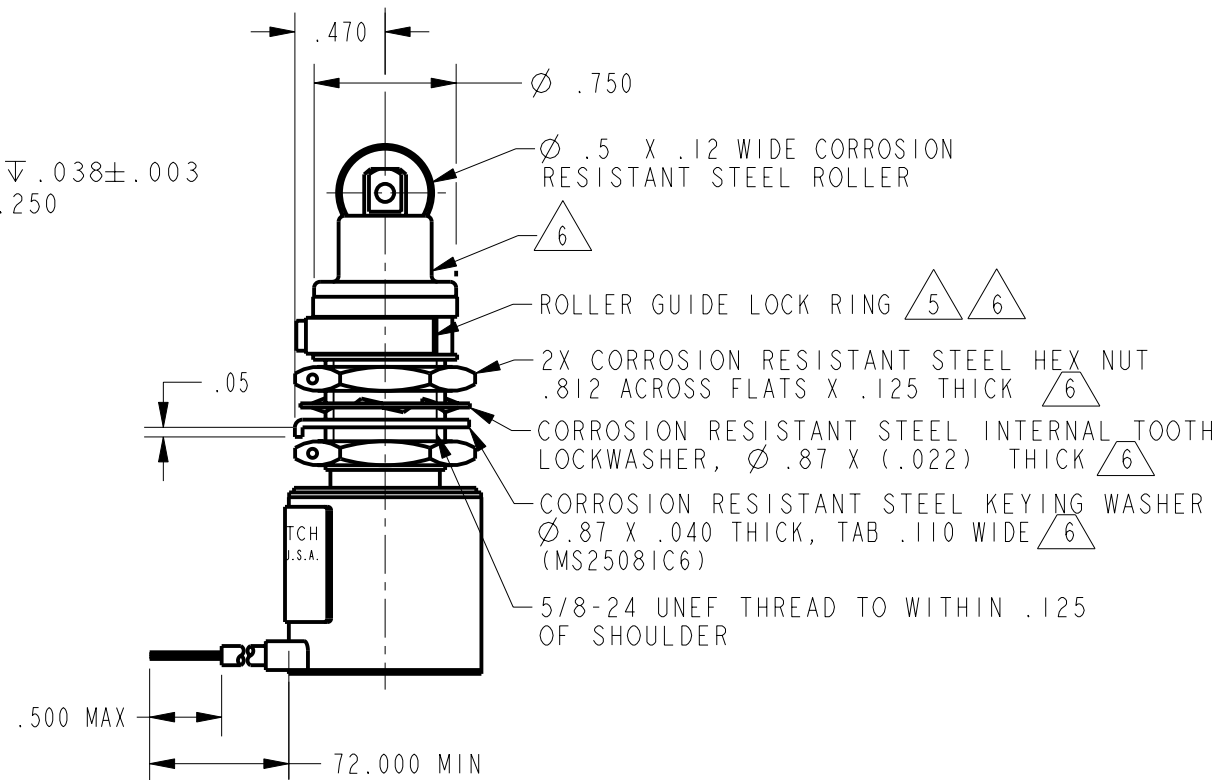
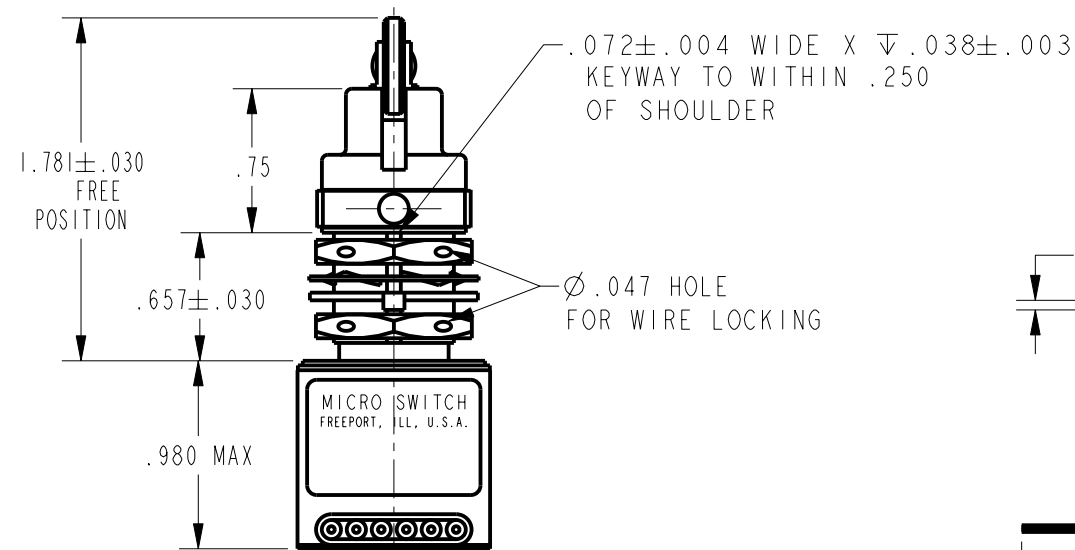
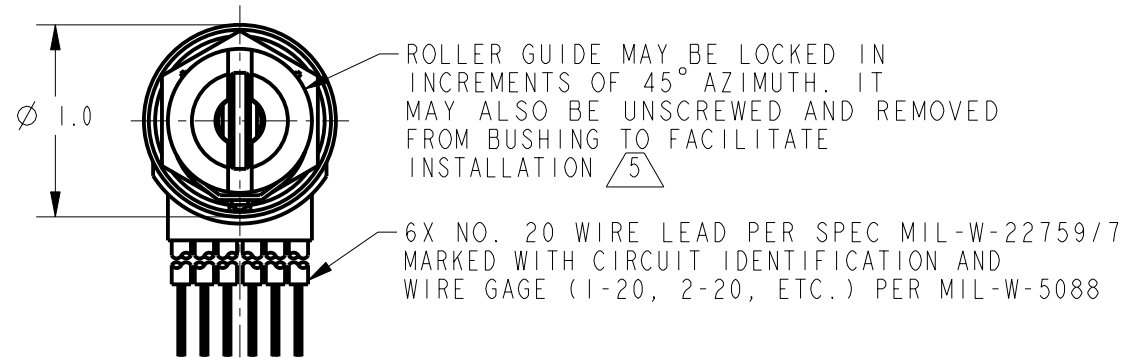
21EN42-6

CIRCUIT SEQUENCE

PLUNGER OPERATE
CIRCUIT 4-5 (N.C.) MUST BREAK
PRIOR TO CIRCUIT 1-2 (N.C.)
PLUNGER RELEASE
CIRCUIT 1-3 (N.O.) MUST BREAK
PRIOR TO CIRCUIT 4-6 (N.O.)



CIRCUIT DIAGRAM

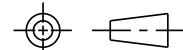


NOTES

- 1 - CORROSION RESISTANT STEEL ENCLOSURE
- 2 - SWITCH SEALED PER MIL-PRF-8805 SYMBOL 4
- 3 - CIRCUIT DIAGRAM, DATE CODE, FED. MFG. CODE AND CATALOG LISTINGS ARE SHOWN ON NAMEPLATE
- 4 - COINCIDENCE OF OPERATING AND RELEASING POINTS: .025 OF PLUNGER TRAVEL
- $\triangle 5$ TO ADJUST ROLLER DIRECTION, REMOVE ROLLER GUIDE LOCK RING, SCREW ROLLER GUIDE DOWN AS FAR AS POSSIBLE, THEN UNSCREW TO DESIRED DIRECTION. SECURE BY REPLACING ROLLER GUIDE LOCK RING.
- $\triangle 6$ HARDWARE MAY BE PACKAGED UNASSEMBLED PER MIL-PRF-8805

THIS DRAWING COVERS A PROPRIETARY ITEM AND IS THE PROPERTY OF MICRO SWITCH, A DIVISION OF HONEYWELL. THIS DRAWING IS NOT TO BE COPIED OR USED WITHOUT THE APPROVAL OF MICRO SWITCH

THIRD ANGLE PROJECTION



CHARACTERISTICS		ELECTRICAL DATA	
OPERATING FORCE -----	6-12 LB	CONTACT ARRANGEMENT 2X S P D T	
DIFFERENTIAL FORCE -----	30 LB MAX		
RELEASE FORCE -----	4 LB MIN	LOAD	
PRETRAVEL -----	.060 MAX		
DIFFERENTIAL TRAVEL -----	.040 MAX	28 VDC	
OVERTRAVEL -----	.230 MIN	SEA LEVEL	50,000 FT.
		RES	4
		IND	2
		MOTOR	4

SCALE FULL	
DO NOT SCALE PRINT	
UNLESS OTHERWISE SPECIFIED TOLERANCES ARE	
ONE PLACE	(.0) ± .030
TWO PLACE	(.00) ± .015
THREE PLACE	(.000) ± .005
ANGLES	±
WEIGHT	8.9 OZ MAX

ANSI Y14.5M-1982 APPLIES

CATALOG LISTING
 21EN42-6
 PAGE 1 OF 1
 REPLACES
 RELEASE NO. PR-22324
 CHECK
 ISSUE 4
 REVISIONS
 A C095161
 TSM 3AUG99
 CHECK
 03AUG99
 JAF
 CHECK
 03AUG99
 DRAWN
 PTC/CAD 2D
 TSM

X-ON Electronics

Largest Supplier of Electrical and Electronic Components

Click to view similar products for [Basic / Snap Action Switches](#) category:

Click to view products by [Honeywell](#) manufacturer:

Other Similar products are found below :

[83228001](#) [01.098.1358.1](#) [602EN1-6B](#) [602EN532](#) [602EN535-RB](#) [602HE5-RB1](#) [604HE162](#) [604HE223-6B](#) [624HE17-RB](#) [6HM89](#) [6PA78-JM](#)
[6SE1](#) [6SX1-H58](#) [70500840](#) [MBD5B1](#) [MBH2731](#) [73-316-0012](#) [79211759](#) [79211923](#) [79218589](#) [7AS12](#) [ML-1155](#) [ML-1376](#) [831010C3.0](#)
[831060C3.TL](#) [831090C2.EL](#) [83131904](#) [84212012](#) [8AS239](#) [8HM73-3](#) [903VB1-PG](#) [914CE1-6G](#) [PL-100](#) [11SM1077-H4](#) [11SM1077-H58](#)
[11SM1-TN107](#) [11SM405](#) [11SM703-T](#) [11SM8423-H2](#) [11SX37-T](#) [11SX48-H58](#) [11SX55-H58](#) [11SM2442-T](#) [11SM76-T](#) [11SM77-H58](#)
[11SM77-T](#) [11SM863-T](#) [11SM866](#) [11SX47-H58](#) [A7CN-1M-1-LEFT](#)