

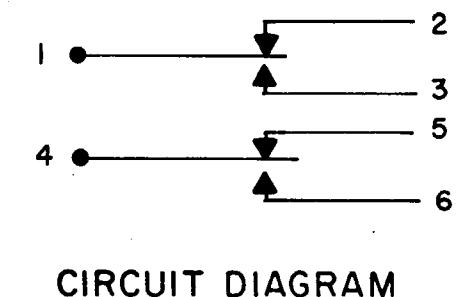
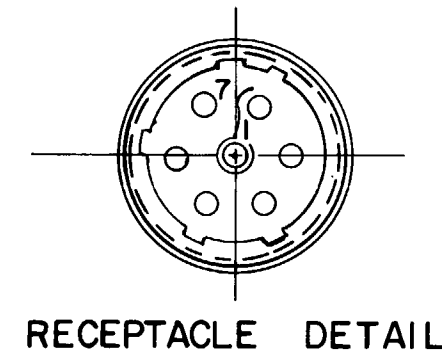
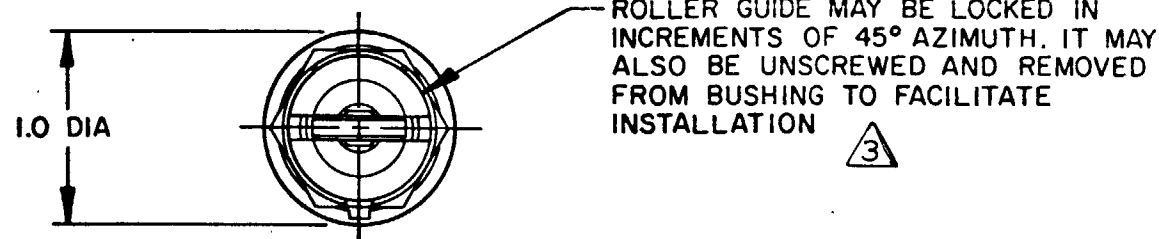
MICRO SWITCH

FREEPORT ILLINOIS U S A
A DIVISION OF HONEYWELL

FED. MFG. CODE 91929

SWITCH - ENCLOSED

CATALOG LISTING
21EN51-RB6



M 21EN51-RB6

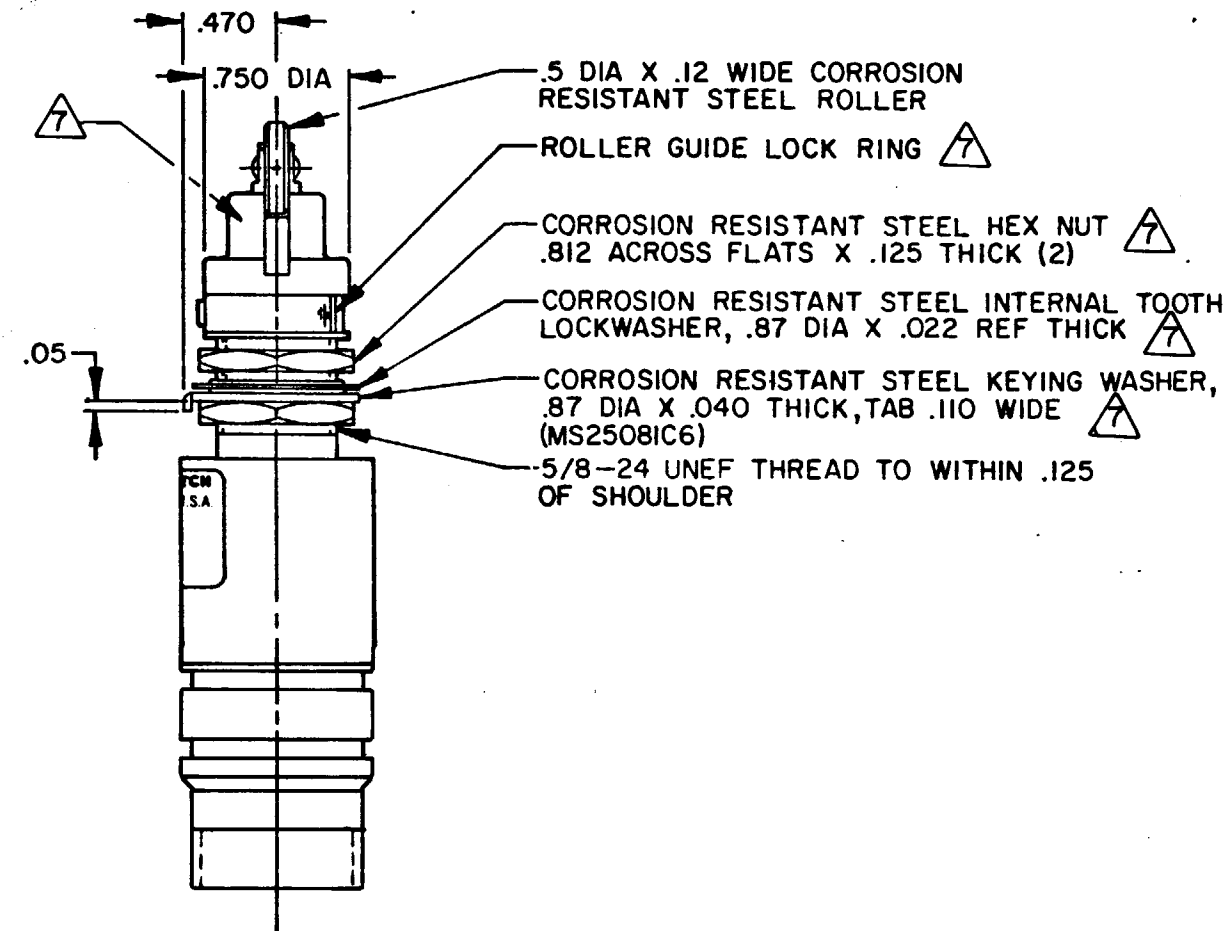
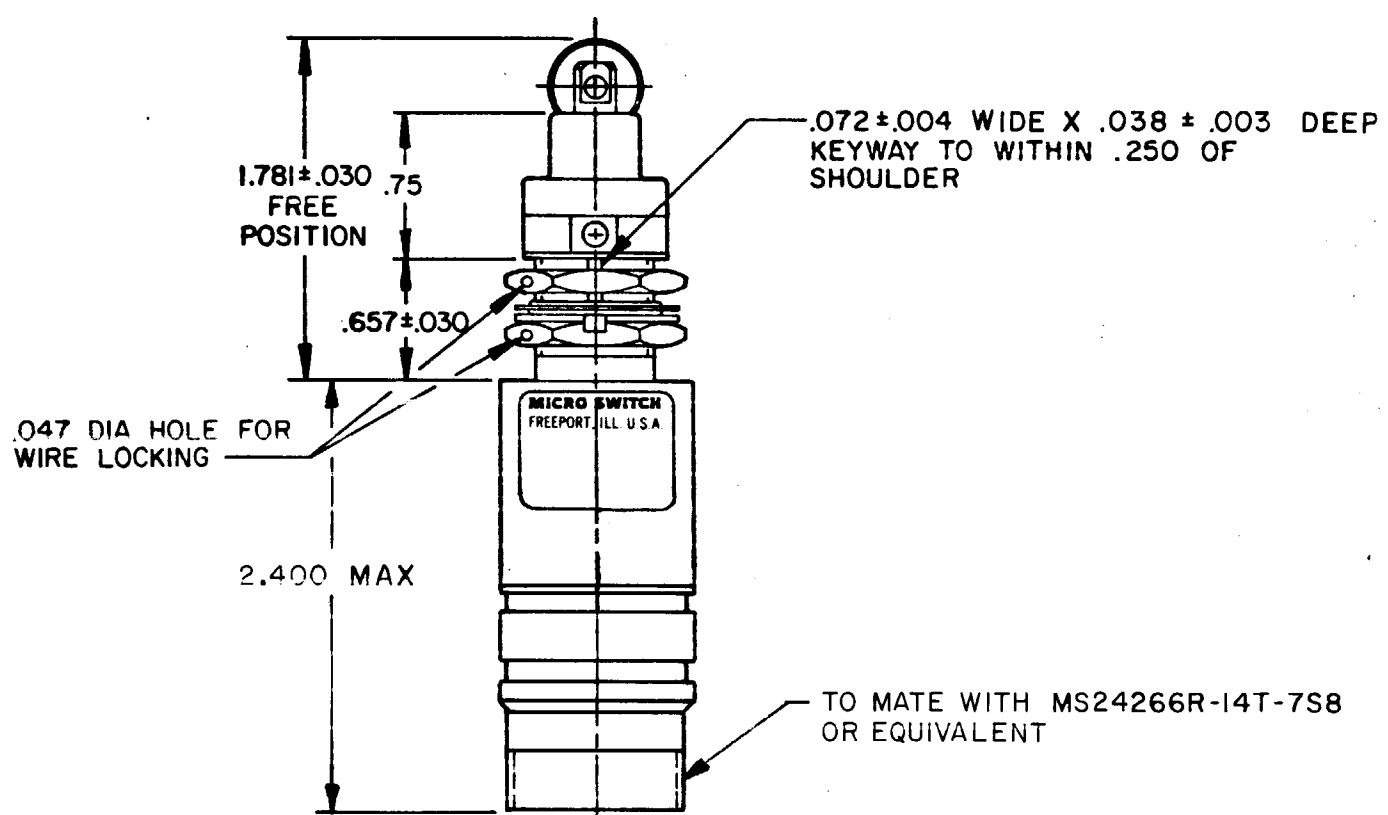
DRAWING NUMBER

ISSUE 9

REVISIONS

A	OBS DWG CO 39750	10 FEB 80
B	RE- PR-9615	23 DEC 80
C	CO50058	14 SEPT 81
D	CO- 51177	2 APR 82

REPLACES: RELEASE NO. PR-9615
CHECK: 22 DEC 80
G J W



- NOTES
- CORROSION RESISTANT STEEL ENCLOSURE
 - SWITCH SEALED PER MIL-S-8805 SYMBOL 4
 - TO ADJUST ROLLER DIRECTION, REMOVE ROLLER GUIDE LOCK RING, SCREW ROLLER GUIDE DOWN AS FAR AS POSSIBLE, THEN UNSCREW TO DESIRED DIRECTION. SECURE BY REPLACING ROLLER GUIDE LOCK RING
 - CIRCUIT DIAGRAM AND CATALOG LISTING ARE SHOWN ON NAMEPLATE
 - KEYWAY IN MOUNTING BUSHING AND RECEPTACLE POLARIZING KEY ARE NOT NECESSARILY ALIGNED
 - COINCIDENCE OF OPERATING AND RELEASING POINTS: .010 OF PLUNGER TRAVEL
- ⚠️ HARDWARE MAY BE PACKAGED UNASSEMBLED PER MIL-S-8805

THIS DRAWING COVERS A PROPRIETARY ITEM AND IS THE PROPERTY OF MICRO SWITCH, A DIVISION OF HONEYWELL. THIS DRAWING IS NOT TO BE COPIED OR USED WITHOUT THE APPROVAL OF MICRO SWITCH.		THIRD ANGLE PROJECTION	SCALE FULL
CHARACTERISTICS		ELECTRICAL DATA	DO NOT SCALE PRINT
OPERATING FORCE -----	-3-6 LB	CONTACT ARRANGEMENT	TOLERANCES
FULL OVERTRAVEL FORCE -----	-17 LB MAX	SPDT (2)	APPLY TO DESIGN UNITS. CONVERSIONS ARE ONLY FOR REFERENCE. UNLESS NOTED, TOLERANCES ARE:
RELEASE FORCE -----	-2 LB MIN	LOAD	DIM. TOL. DIM. TOL.
PRETRAVEL -----	-.040 MAX	28 VDC	NO PLACES X 1/04
DIFFERENTIAL TRAVEL -----	.020 MAX	SEA LEVEL 50,000 FT.	ONE PLACE X,X 0.47/010 X X 0.87/005
OVERTRAVEL -----	-250 MIN	RES 4 4	TWO PLACES X,XX 0.157/008 X XX 0.387/015
		IND 2 2	THREE PLACES X,XXX 0.157/008 X XXX 0.157/008
		MOTOR 4	ANGLES
		LAMP	DESIGN UNITS
			SI METRIC <input type="checkbox"/> US CUSTOMARY <input checked="" type="checkbox"/>
			RAW MATERIAL - COMMERCIAL STANDARD
			MICRO SWITCH STANDARDS APPLY
			DIMENSIONS ARE TO BE MET BEFORE PROTECTIVE COATINGS ARE APPLIED
			WEIGHT

FO-92851-A

X-ON Electronics

Largest Supplier of Electrical and Electronic Components

Click to view similar products for [Basic / Snap Action Switches](#) category:

Click to view products by [Honeywell](#) manufacturer:

Other Similar products are found below :

[83228001](#) [01.098.1358.1](#) [602EN1-6B](#) [602EN532](#) [602EN535-RB](#) [602HE5-RB1](#) [604HE162](#) [604HE223-6B](#) [624HE17-RB](#) [6HM89](#) [6PA78-JM](#)
[6SE1](#) [6SX1-H58](#) [70500840](#) [MBD5B1](#) [MBH2731](#) [73-316-0012](#) [79211759](#) [79211923](#) [79218589](#) [7AS12](#) [ML-1155](#) [ML-1376](#) [831010C3.0](#)
[831060C3.TL](#) [831090C2.EL](#) [83131904](#) [84212012](#) [8AS239](#) [8HM73-3](#) [903VB1-PG](#) [914CE1-6G](#) [PL-100](#) [11SM1077-H4](#) [11SM1077-H58](#)
[11SM1-TN107](#) [11SM405](#) [11SM703-T](#) [11SM8423-H2](#) [11SX37-T](#) [11SX48-H58](#) [11SX55-H58](#) [11SM2442-T](#) [11SM76-T](#) [11SM77-H58](#)
[11SM77-T](#) [11SM863-T](#) [11SM866](#) [11SX47-H58](#) [A7CN-1M-1-LEFT](#)